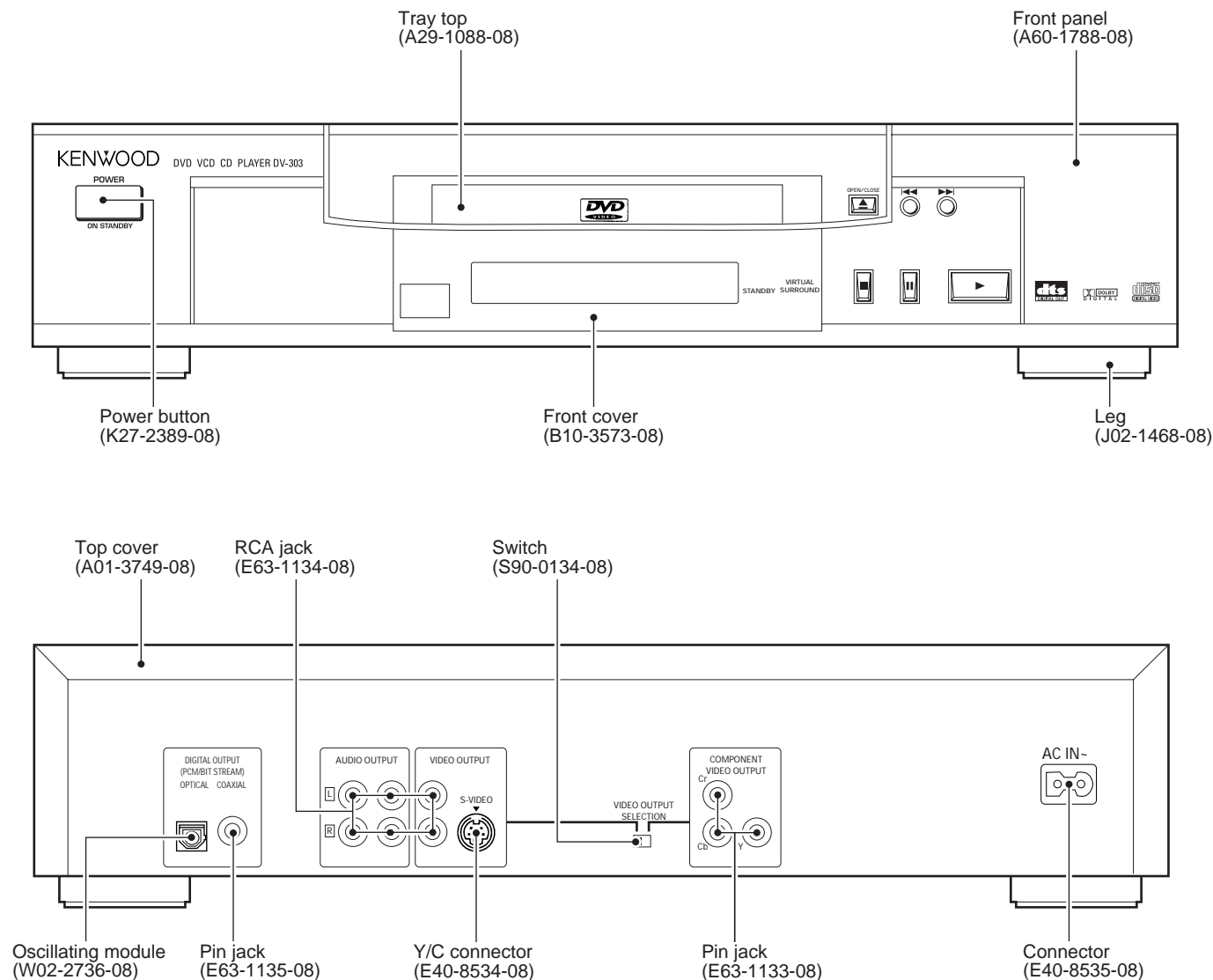


Please use this manual instead of DV-303's manual (B51-5561-00), when repair of DV-303.



**Figure is DV-303.**

In compliance with Federal Regulations, following are reproductions of labels on, or inside the product relating to laser product safety.

KENWOOD-Crop. certifies this equipment conforms to DHHS Regulations No. 21 DFR 1040. 10, Chapter 1, Subchapter J.

**DANGER : Laser radiation when open and interlock defeated.  
AVOID DIRECT EXPOSURE TO BEAM**

**Caution :** No connection of ground line if disassemble the unit. Please connect the ground line on rear panel, PCBs, Chassis and some others.

**NOTE :** Please use the remote controller for self-diagnosis and tilt adjustment.



# DV-303/DVF-5020/K5020

## CONTENTS / ACCESSORIES

### Contents

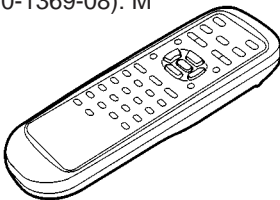
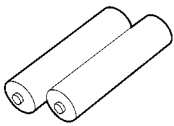
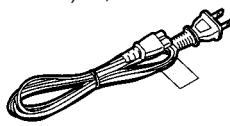
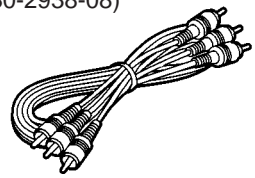
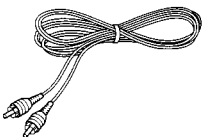
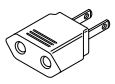
CONTENTS / ACCESSORIES .....	2	WIRING DIAGRAM .....	30
DISASSEMBLY FOR REPAIR .....	3	PC BOARD .....	32
BLOCK DIAGRAM .....	13	SCHEMATIC DIAGRAM .....	41
CIRCUIT DESCRIPTION .....	17	EXPLODED VIEW .....	93
ADJUSTMENT .....	21	PARTS LIST .....	96
ABBREVIATION .....	22	SPECIFICATIONS .....	Back cover
VOLTAGE CHART .....	24		

"Disassembly for repair" is for DV-303.

**Note:** There is different part in this manual as compared with a usual one because we use OEM factory's data.

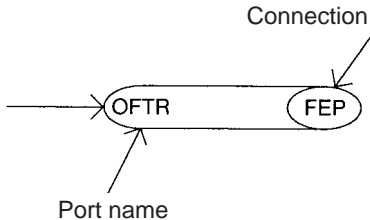
KENWOOD MODEL	OEM MODEL
DV-303,DVF-5020	DVD-A120U
DVF-K5020	DVD-A160EN

### Accessories

<p><b>Remote control unit</b> ..... 1 (A70-1353-08): K,K1,Y (A70-1369-08): M</p> 	<p><b>Batteries</b>..... 2 for remote control unit [size "AA"]</p> 	<p><b>AC cord</b>..... 1 (E30-2937-08): K,K1 (E30-2946-08): Y,M</p> 
<p><b>Video/audio cable</b>..... 1 (E30-2938-08)</p> 	<p><b>Digital cord</b>..... 1 (E30-2365-05)</p> 	<p><b>Ac plug adapter</b>..... 1 (E03-0115-05): M</p>  <p>Use to adapt the plug on the power cord to the shape of the wall outlet. (Accessory only for regions where use is necessary.)</p>

### How to read the schematic diagram

Connection of "from" or "to".



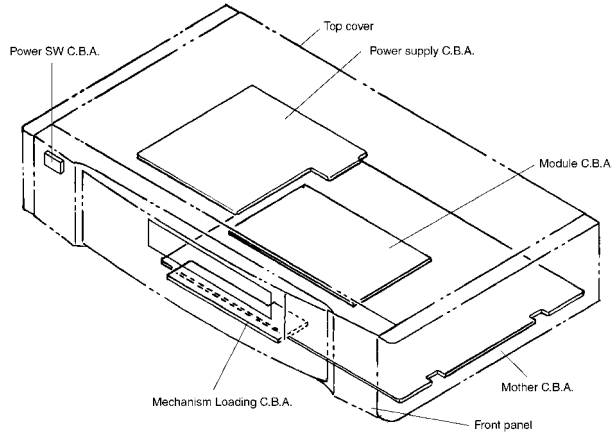
Port name

- There are some destinations in this schematic.
- Figures which is more than 20,000 is omitted first digit in Mic jack and Mic volume circuit.  
(Example) R4001 → R24001

## DISASSEMBLY FOR REPAIR

### 1. Assembling and Disassembling the Casing and Checking C.B.A.s (DV-303)

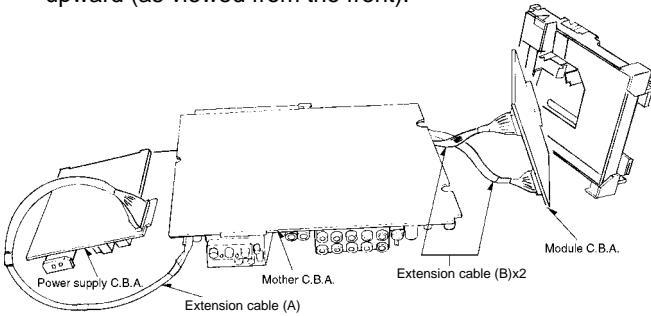
#### 1-1 Casing Parts and C.B.A. Positions



#### 1-2 Service Positions

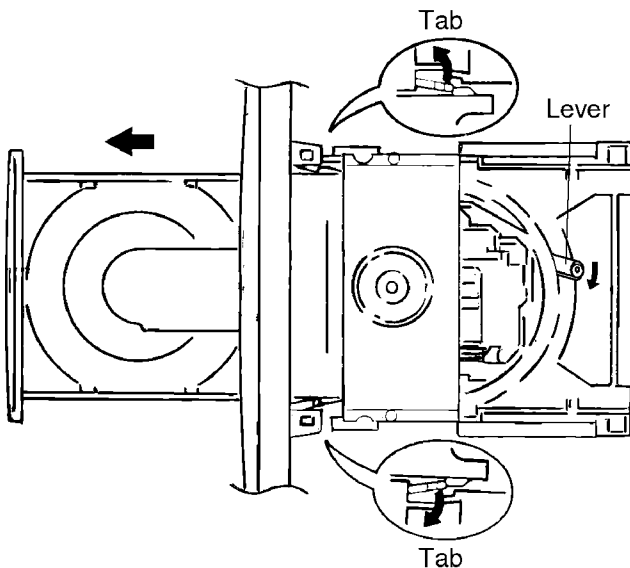
Note

To inspect the loading base unit, position the left side upward (as viewed from the front).



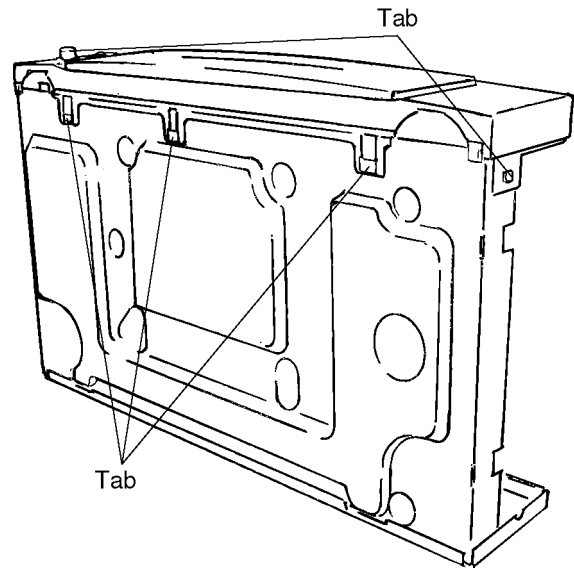
#### 1-3 Disassembling the Tray

1. Turn the lever clockwise.
2. Move the tray in the direction of the arrow until it locks.
3. Release the tab locks on the left and right, then pull out the tray.

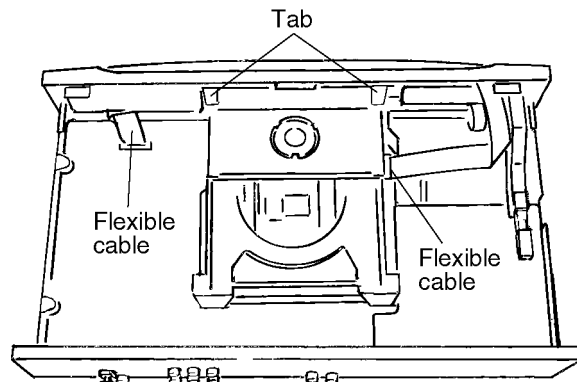


#### 1-4 Disassembling the Front Panel

1. Release the 3 tabs on the bottom.
2. Release the 2 tabs on the left and right.



3. Release the 2 tabs.
4. Disconnect the 2 flexible cables.

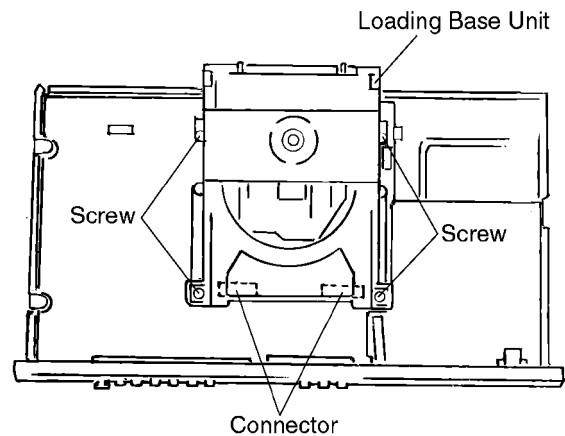


#### 1-5 Disassembling the Loading Base Unit

1. Remove the 4 screws.
2. Pull out the loading base unit vertically.

Note

There is a danger of damaging the connectors.

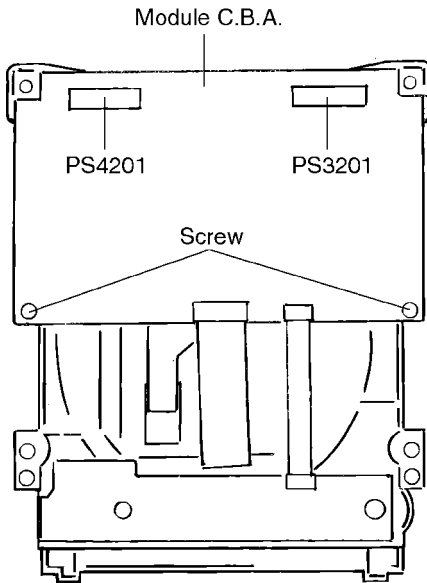


# DV-303/DVF-5020/K5020

## DISASSEMBLY FOR REPAIR

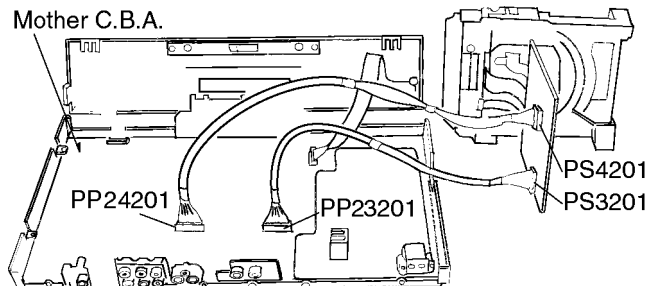
### 1-6 Checking the Module C.B.A.

1. Remove the 2 screws.



2. Connect the module C.B.A. to the mother C.B.A. with the extension cables for inspection.

- Extension cable (B)x2  
Mother C.B.A. Module C.B.A.  
PP24201-PS4201  
PP23201-PS3201

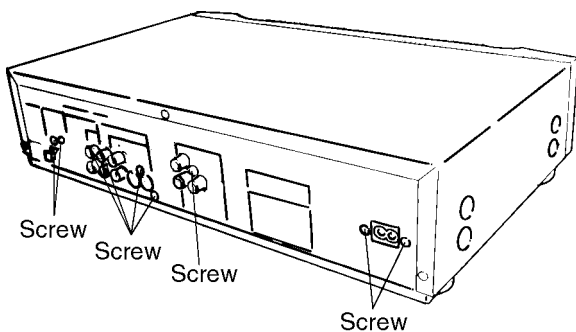


#### Note

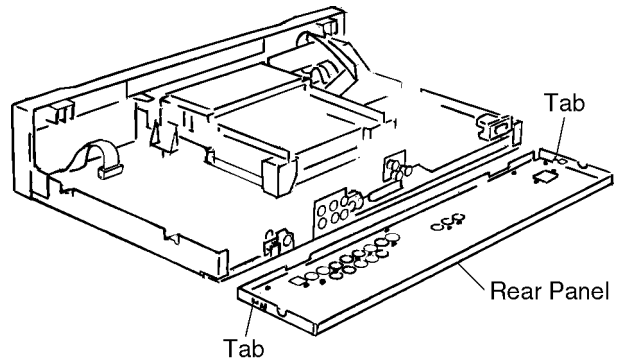
Be sure to initialize the player whenever you replace a C.B.A. (Refer to page21/4-1 Initializing the DVD Player.)

### 1-7 Disassembling the Rear Panel,

1. Remove all of the screws connected to the rear panel.  
(The number of screws varies according to the model).

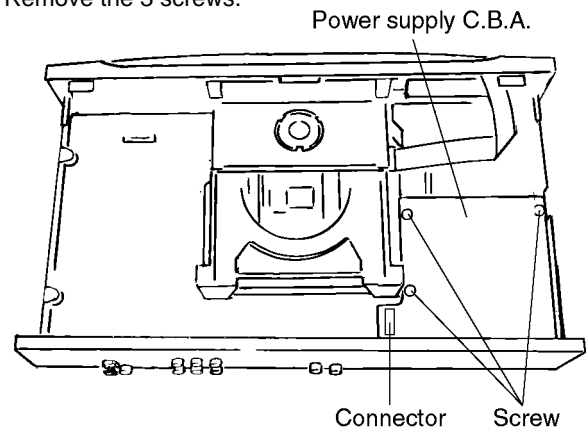


2. Release the two tabs on the left and right.



### 1-8 Checking the Power Supply C.B.A.

1. Remove the 3 screws.



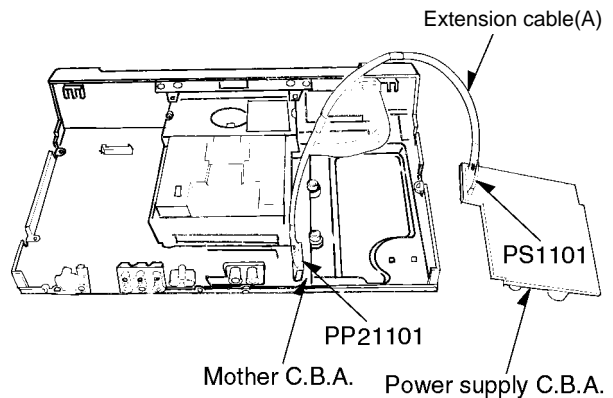
2. Carefully pull out the power supply C.B.A.

#### Note

There is a danger of damaging the connectors.

3. Connect the power supply C.B.A. and the mother C.B.A. with the extension cable for inspection.

- Extension cable(A) (connects the power supply C.B.A. PS1101 and the mother C.B.A. PP21101)

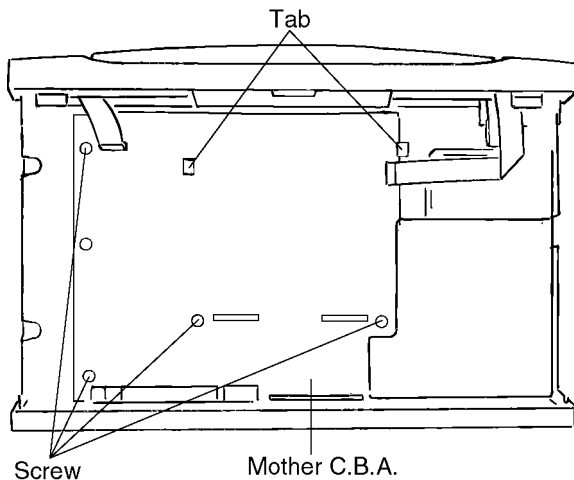




## DISASSEMBLY FOR REPAIR

### 1-9 Checking the Mother C.B.A.

1. Remove the 5 screws.
2. Release the 2 tabs.



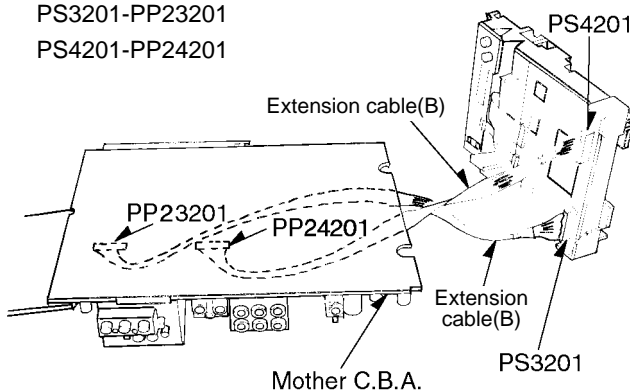
3. Checked by connecting the module C.B.A. and the mother C.B.A. with the extension cables.

Extension cable (B)x2

Module C.B.A. Mother C.B.A.

PS3201-PP23201

PS4201-PP24201



#### Note

Be sure to initialize the player whenever you replace a C.B.A. (Refer to page21/4-1, Initializing the DVD player.)

## 2. Assembling and Disassembling the Optical Pickup (Mechanical Parts)

The optical pickup can be damaged by static electricity from your body. Be sure to take static electricity countermeasures when working around the optical pickup.

### 2-1 Handling the Optical Pickup

The optical pickup can be damaged by static electricity from your body. Be sure to take static electricity countermeasures when working around the optical pickup.

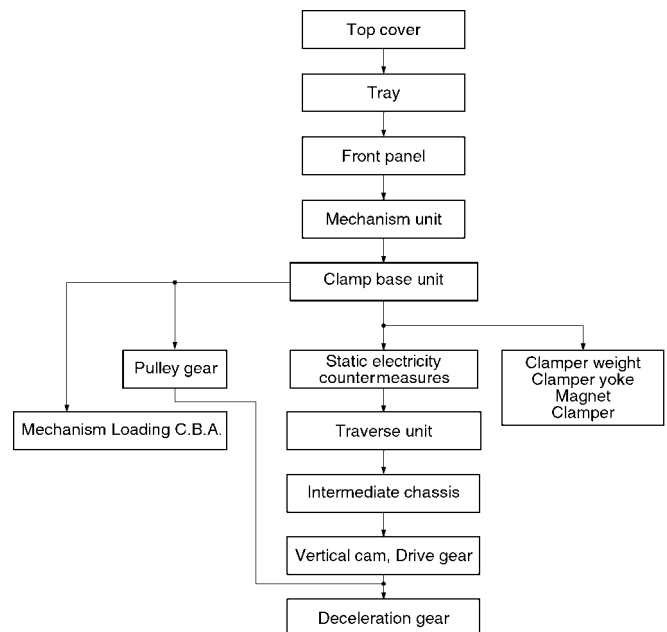
1. The optical pickup is an extremely high-precision mechanism. Do not subject it to strong impact.

2. To preserve the quality of the optical pickup replacement parts during transport and installation, the terminals of the laser diode are short-circuited. After replacing the parts, use the proper procedure to return the laser diode to its original condition. (Refer to page9/2-12 Assembling the Optical Pickup.)
3. Testers cannot be used to check the laser diode of the optical pickup. The power supply inside the tester can easily damage the laser diode.
4. Take care when handling the flexible cable because excessive force can cause it to break.
5. You cannot adjust the semifixed resistor for laser power adjustment. Do not turn it.

### 2-2 Disassembly Procedure

Use the following procedure to replace major parts.

For the assembly procedure, follow the flow chart in reverse.

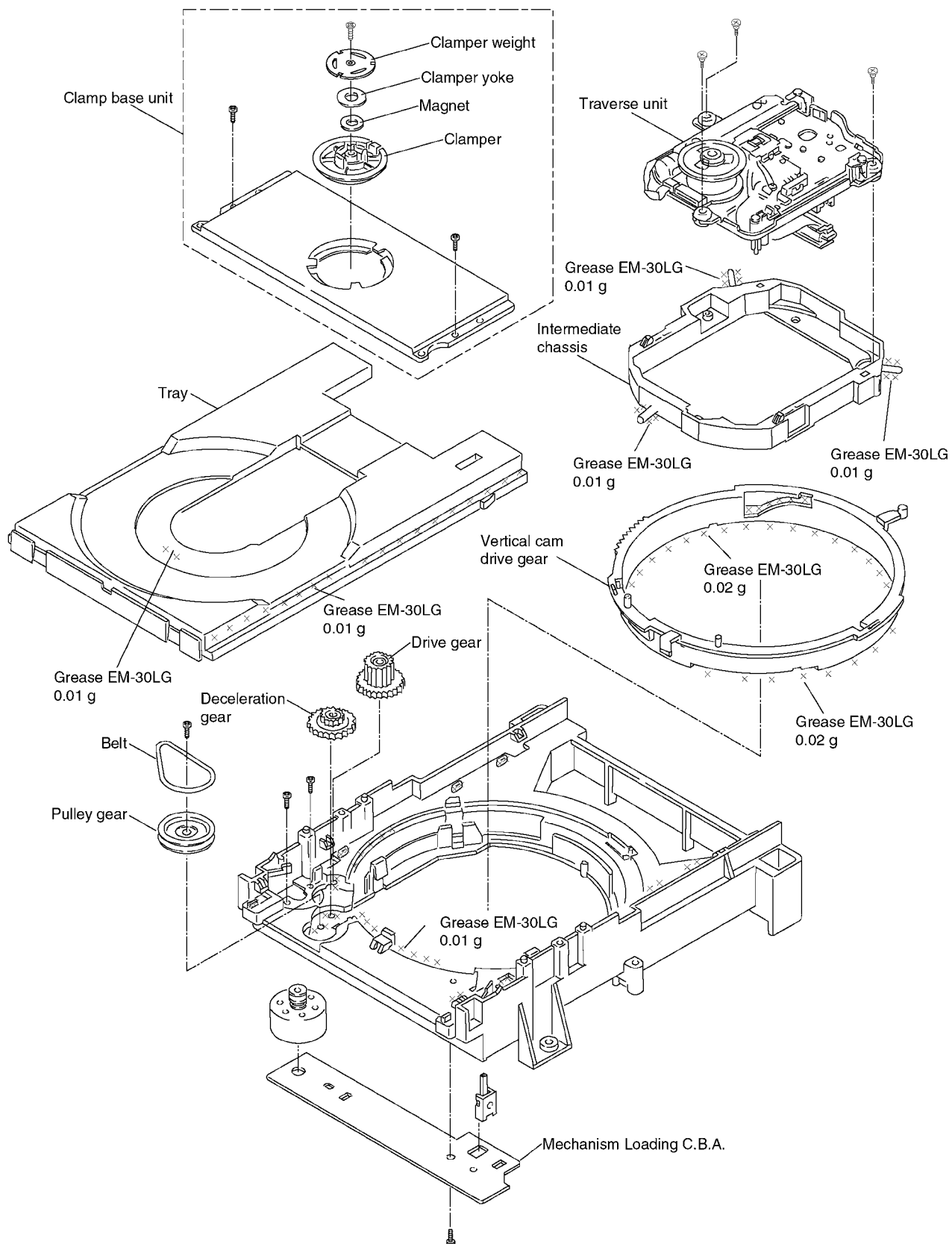


# DV-303/DVF-5020/K5020

## DISASSEMBLY FOR REPAIR

### 2-3 Lubricating the Loading Base Unit

When replacing parts, lubricate the parts marked "xxx" in the diagram



	Part number	Service Tool
Grease	410-0013-05	Grease EM-30LG

## DISASSEMBLY FOR REPAIR

### 2-4 Static Electricity Countermeasures

The laser diode inside the traverse unit (optical pickup) can be damaged by static electricity from your body. Be sure to take static electricity countermeasures when working around the optical pickup.

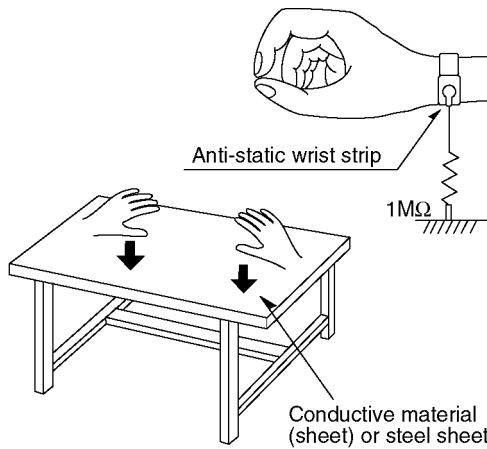
#### 2-4-1 Static Electricity Countermeasure Methods

##### 1. Ground yourself

Use an anti-static wrist strap to discharge static electricity from your body.

##### 2. Ground the workbench

Lay a conductive material (sheet) or steel sheet on the surface where the traverse unit (optical pickup) is to be placed, then ground the sheet.

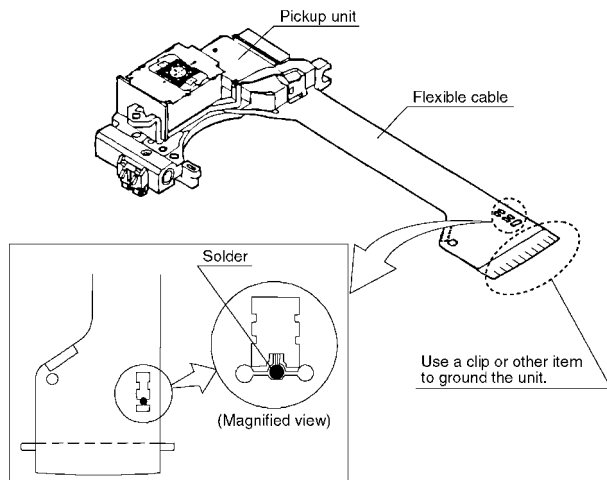


#### 2-4-2 Short-circuit the laser diode

Solder the land in the flexible cable of the optical pickup.

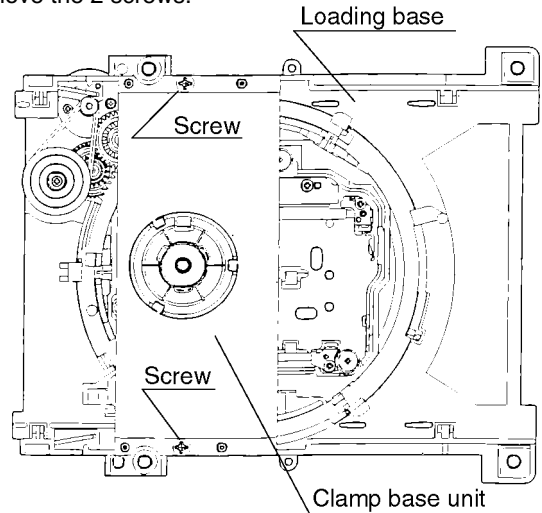
##### Notes

- Be sure to do this before disconnecting the flexible cable of the optical pickup from the module C.B.A.
- Use an anti-static soldering iron to short-circuit and unshort-circuit laser diode.  
(Recommended soldering iron: Hakko with ESD countermeasure)
- After you have finished repairing the laser diode, follow the correct procedure to remove the solder from the short-circuit location. (Refer to page 5/2. Assembling and Disassembling the Optical Pickup (Mechanical Parts).)



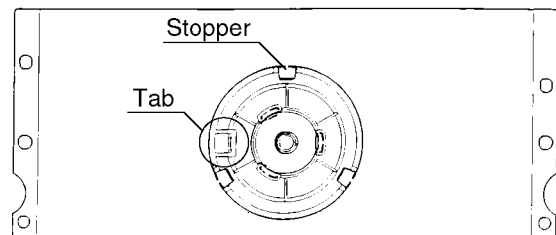
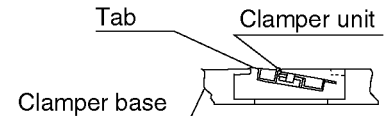
### 2-5 Disassembling the Clamp Base Unit

Remove the 2 screws.

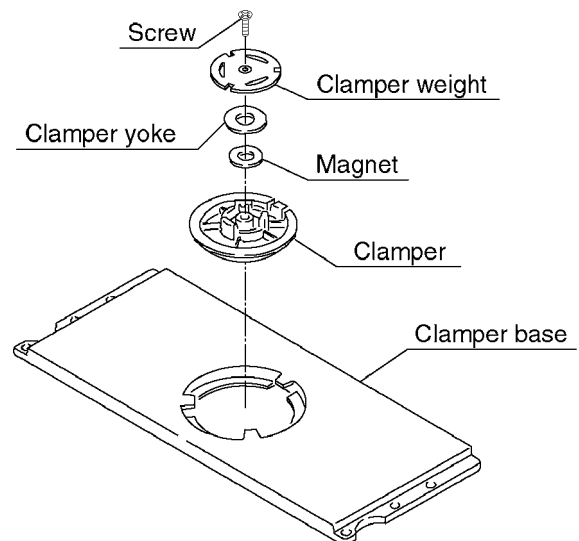
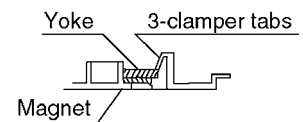


### 2-6 Disassembling the Clamper Weight, Clamper Yoke, Magnet and Clamper

1. Release the tab, and pull out the clamper.



2. Release the 3 tabs on the clamper.

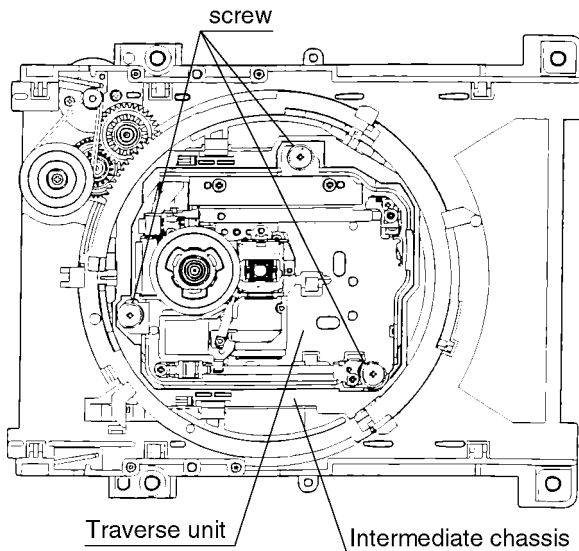


# DV-303/DVF-5020/K5020

## DISASSEMBLY FOR REPAIR

### 2-7 Disassembling the Traverse Unit

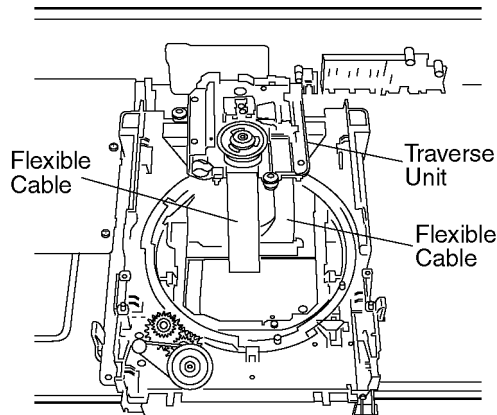
1. Remove the 3 screws.



#### Note

Be sure to take static electricity countermeasures before disconnecting the flexible cable. (Refer to page 7/2-4 Static Electricity Countermeasures.)

2. Disconnect the 2 flexible cables.

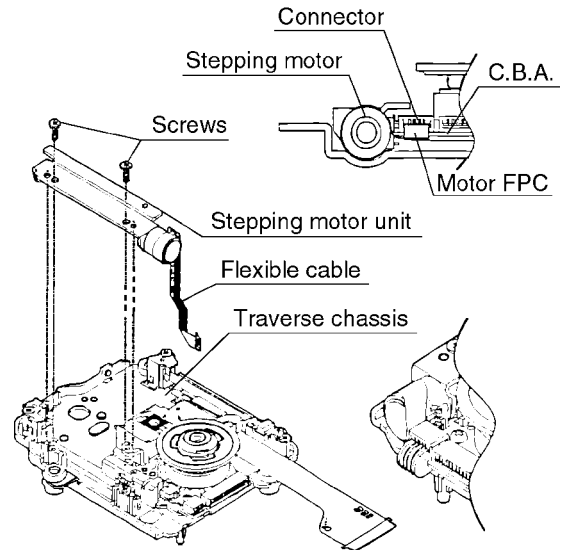


### 2-8 Disassembling the Stepping Motor Unit

1. Disconnect the flexible cable.
2. Remove the 2 screws.

#### Note

Take care when handling the flexible cable because it can be broken by excessive force.



### 2-9 Disassembling the Optical Pickup Unit

1. Remove the hook of the FPC holder, then remove the FPC holder itself.
2. Remove the screw.
3. Release the tab, then remove spring holder 1.

#### Note

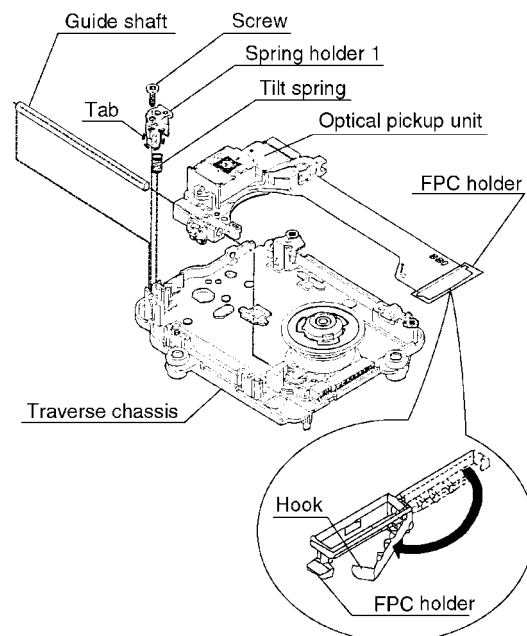
Be sure not to lose the spring.

4. Remove the guide shaft.

#### Note

Be sure to adjust the optical pickup tilt after replacing the optical pickup.

(Refer to page 10/2-14 Optical Pickup Tilt Adjustment.)



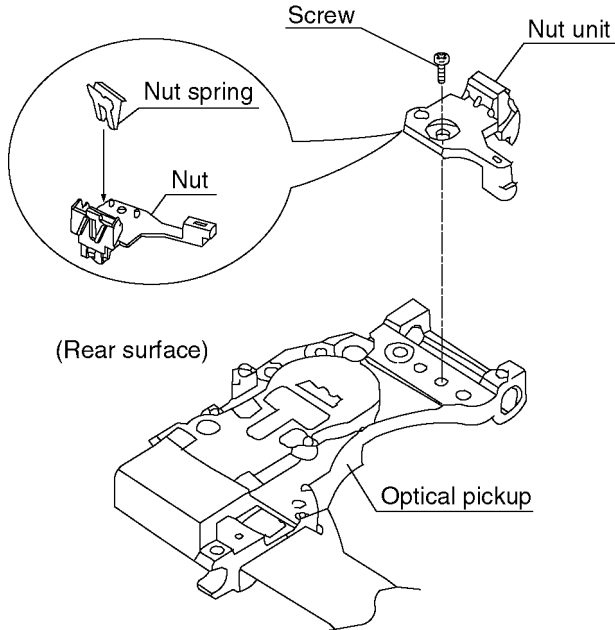
## DISASSEMBLY FOR REPAIR

### 2-10 Disassembling the Nut Unit

1. Remove the screw.

#### Notes

- The nut unit is not part of the optical pickup.
- Before replacing the optical pickup, remove the nut unit for use with the new optical pickup.
- After installation, use screw lock to lock the screw in position.
- When reassembling, use screw lock to lock the screw in position after attaching it.

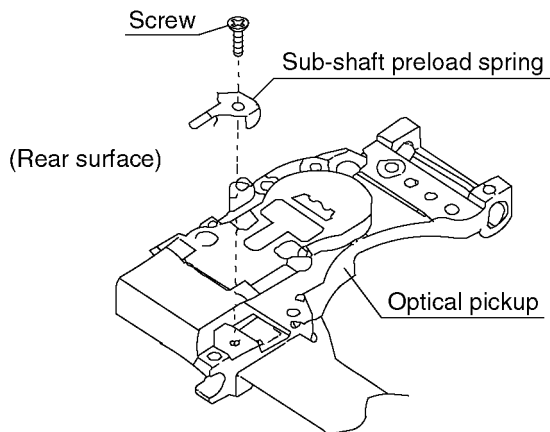


### 2-11 Disassembling the Sub-Shaft Preload Spring

1. Remove the screw.

#### Notes

- Handle the sub-shaft preload spring carefully because the shape of the tip is easily deformed.
- The sub-shaft preload spring is not part of the optical pickup. Before replacing the optical pickup, remove the sub-shaft preload spring for use with the new optical pickup.
- After installation, use screw lock to lock the screw in position.

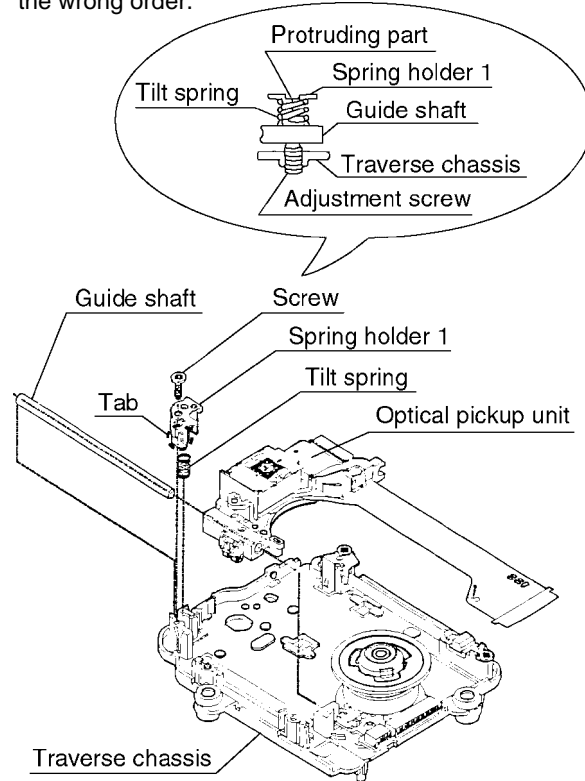


### 2-12 Assembling the Optical Pickup

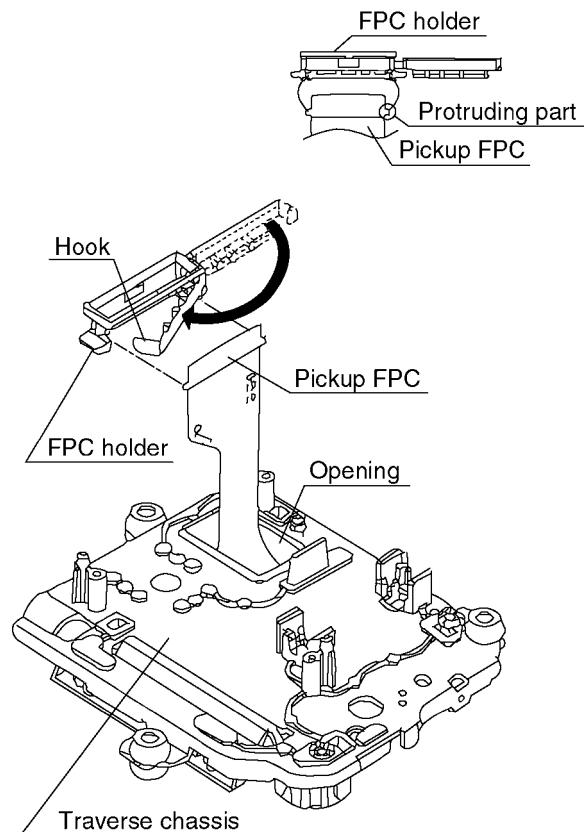
1. Install the optical pickup.

#### Note

Take care not to attach the tilt spring and guide shaft in the wrong order.



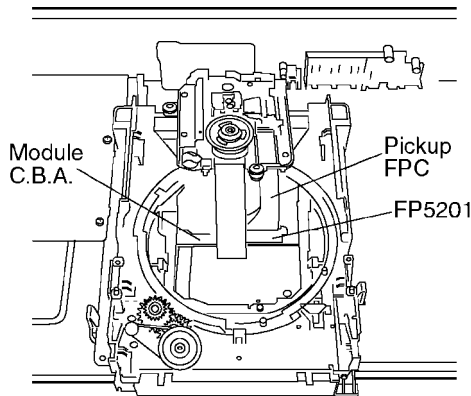
2. Fit the protruding part of the pickup FPC into the convex-part of the FPC holder to install it.



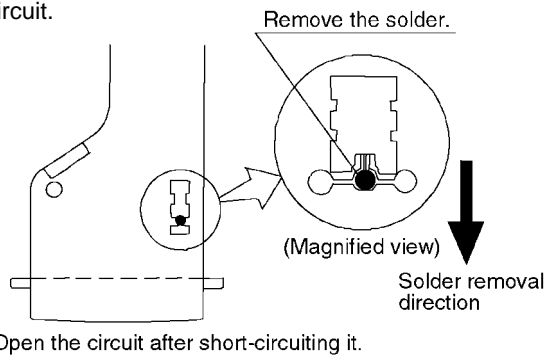
# DV-303/DVF-5020/K5020

## DISASSEMBLY FOR REPAIR

- Insert the pickup FPC into connector FP5201 on the module C.B.A.



- Remove the solder from the pickup FPC's soldered short-circuit.



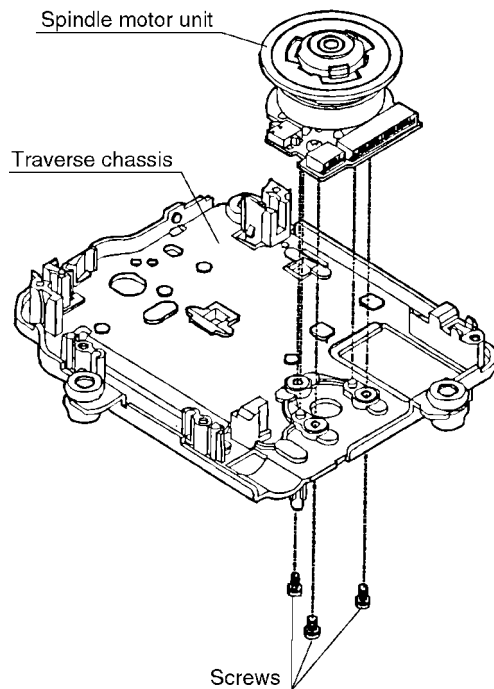
- Adjust the optical pickup tilt after removing the solder. (Refer to page10/2-14 Optical Pickup Tilt Adjustment.)

### 2-13 Disassembling the Spindle Motor Unit

- Remove the three screws.

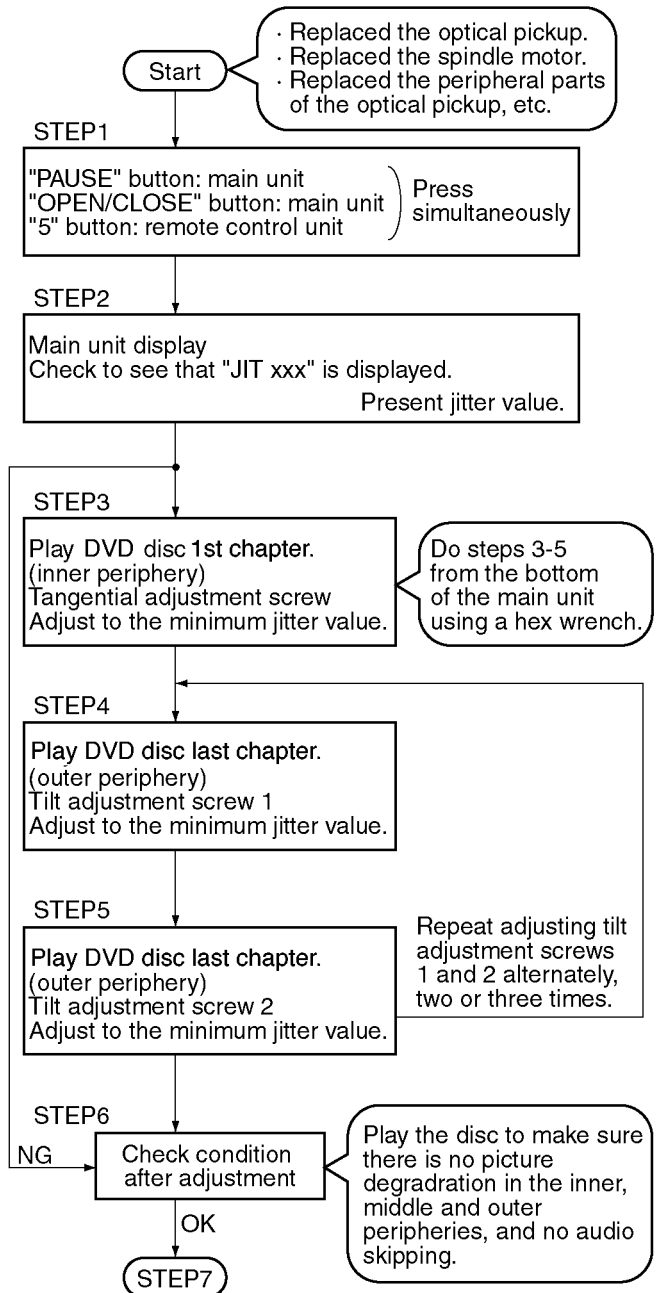
#### Note

Be sure to adjust the optical pickup tilt after replacing the spindle motor unit.

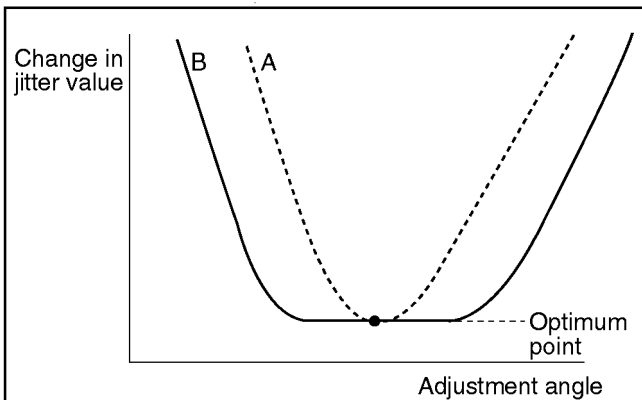
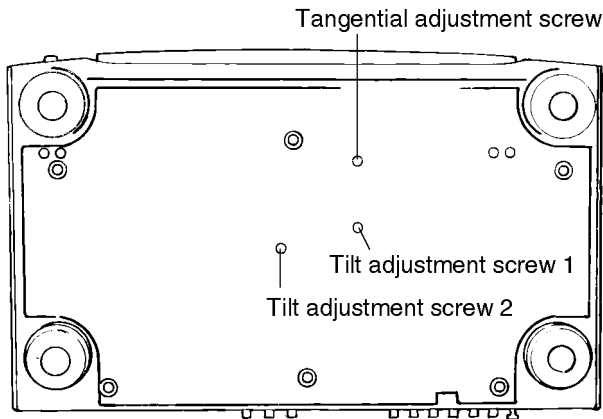
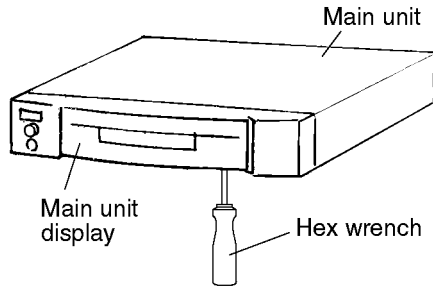


### 2-14 Optical Pickup Tilt Adjustment

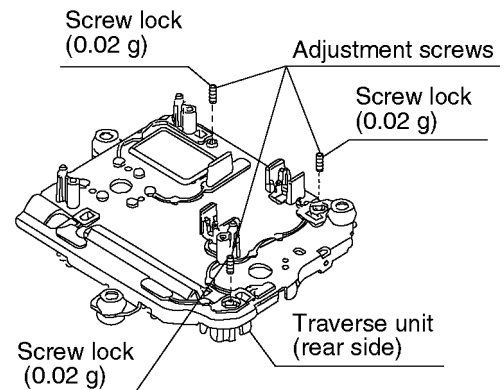
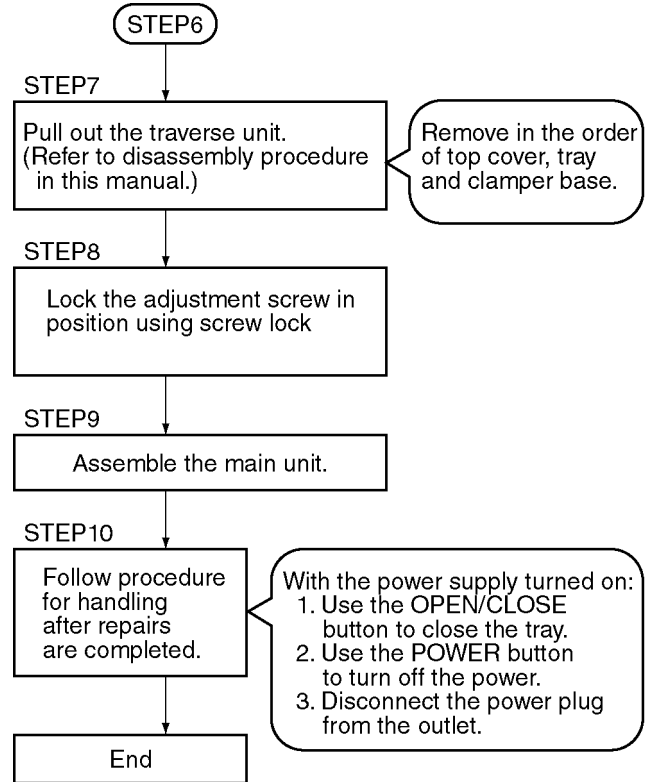
Measurement point	Adjustment point	Mode	Disc
Main unit service display	Tangential adjustment screw Tilt adjustment screw	(inner periphery) play (outer periphery) play	DVD-disc
Measuring equipment, tools		Adjustment value	
Hex wrench Screw lock		Adjust to the minimum jitter value.	



## DISASSEMBLY FOR REPAIR



- Jitter value depends on the model:
  - (1) If the jitter value changes like A, the optimum point is easy to find.
  - (2) If the jitter value changes like B, set the optimum point near the middle.



### Notes

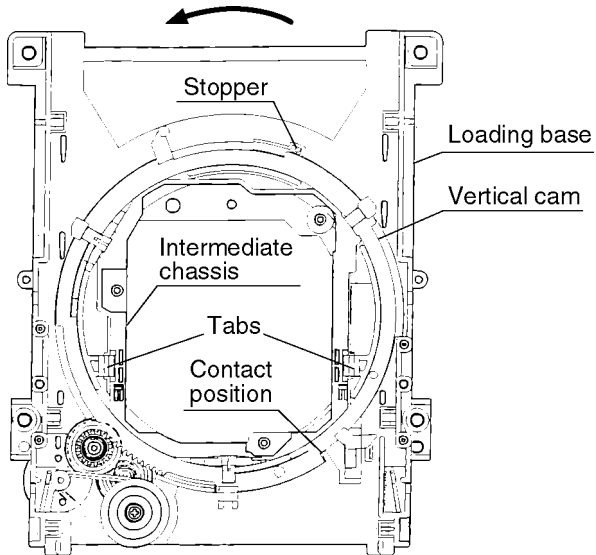
- Adjustment is generally unnecessary after replacing other parts of the traverse unit. However, adjust if there is a noticeable degradation in picture quality.
- Optical adjustments cannot be made inside the optical pickup.
- Adjustment is generally unnecessary after replacing the traverse unit.
- Adjustment is generally unnecessary after replacing the traverse unit.

# DV-303/DVF-5020/K5020

## DISASSEMBLY FOR REPAIR

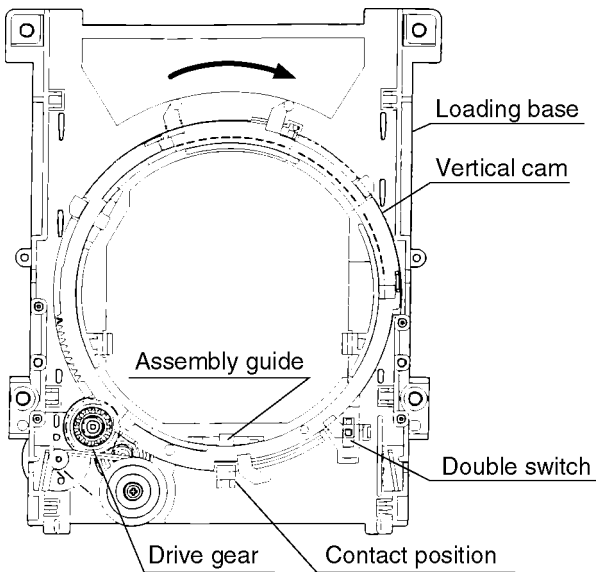
### 2-15 Disassembling the Intermediate Chassis

1. Push the stopper downward, then rotate it until it contacts the Vertical cam.
2. Release the 2 tabs.



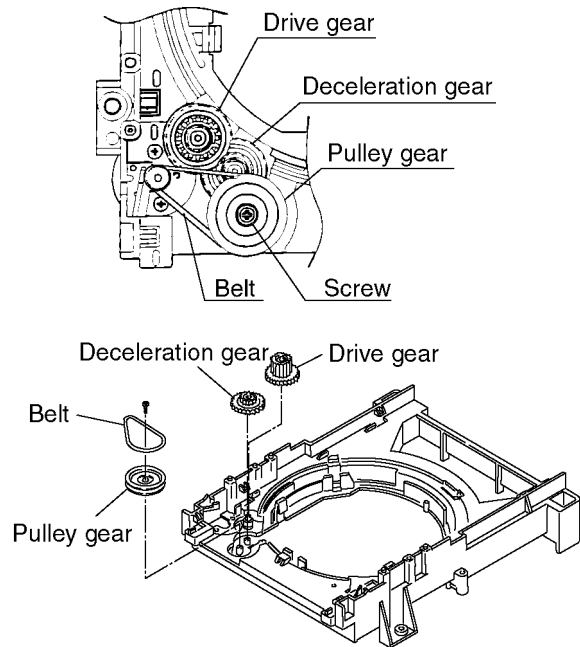
### 2-16 Disassembling the Vertical cam and Drive gear

1. Rotate the Vertical cam until it reaches the contact position.
2. Lift the Vertical cam straight upward to pull it out.
3. Remove the Drive gear.



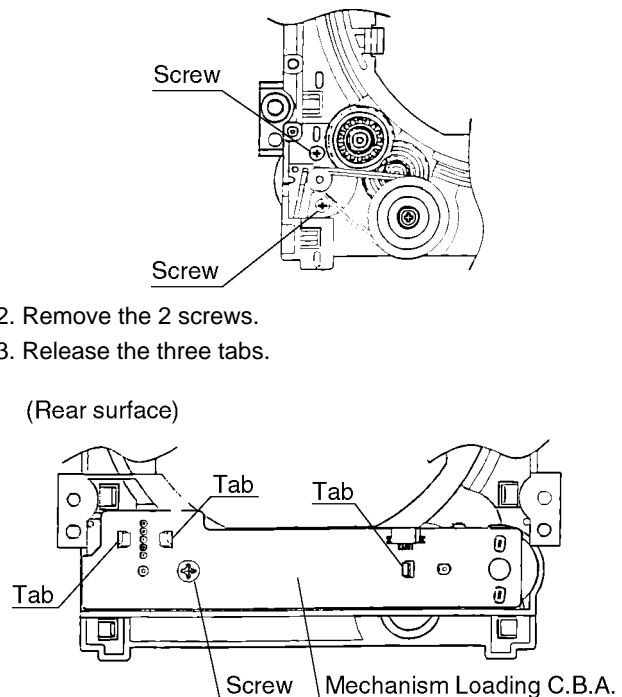
### 2-17 Disassembling the Pulley Gear and Deceleration Gear

1. Remove the screw.
2. Remove the pulley gear.
3. Remove the belt.
4. Remove the deceleration gear.



### 2-18 Disassembling the Mechanism Loading C.B.A.

1. Remove the 2 screws.



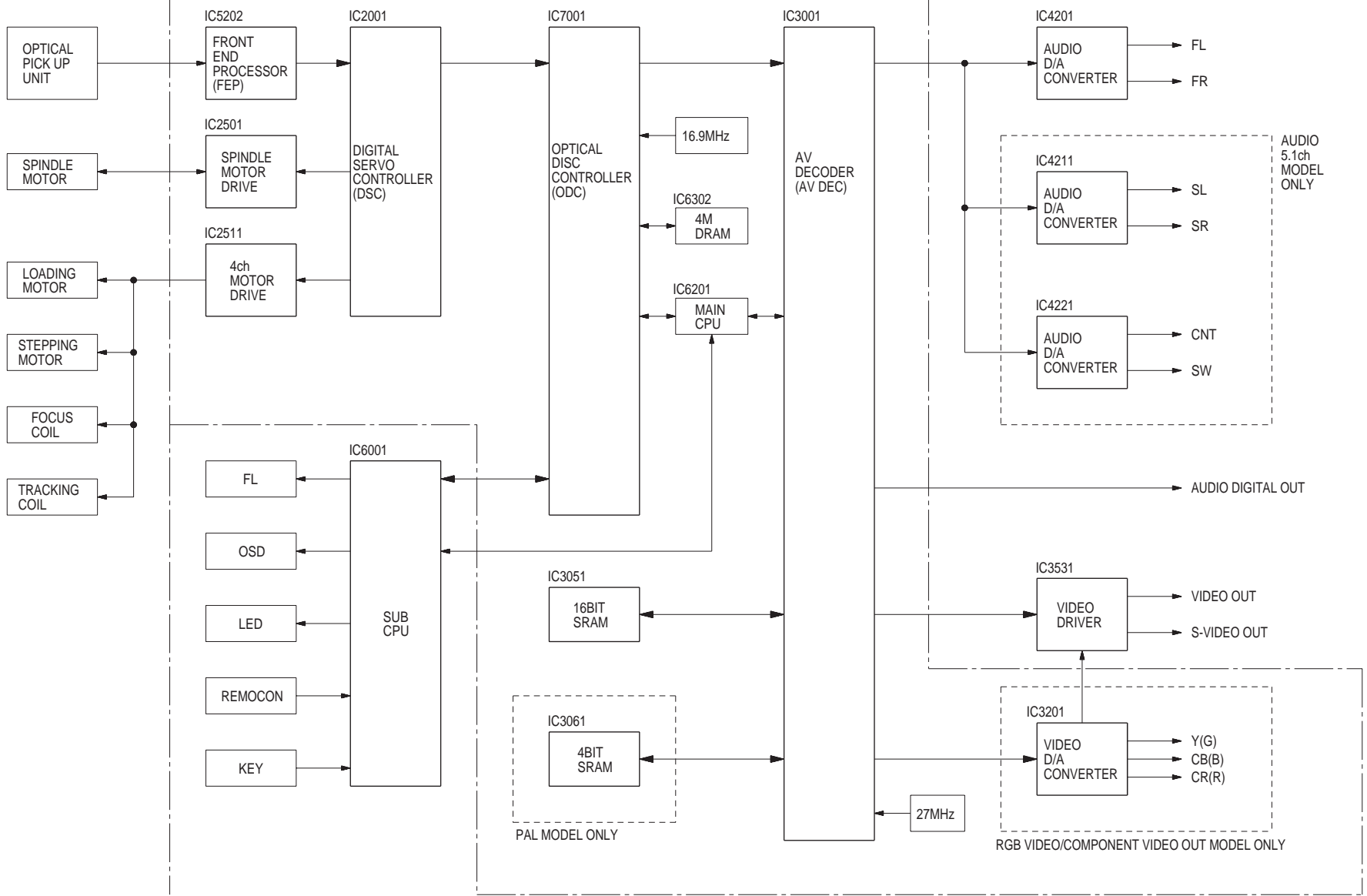


OVERALL BLOCK DIAGRAM

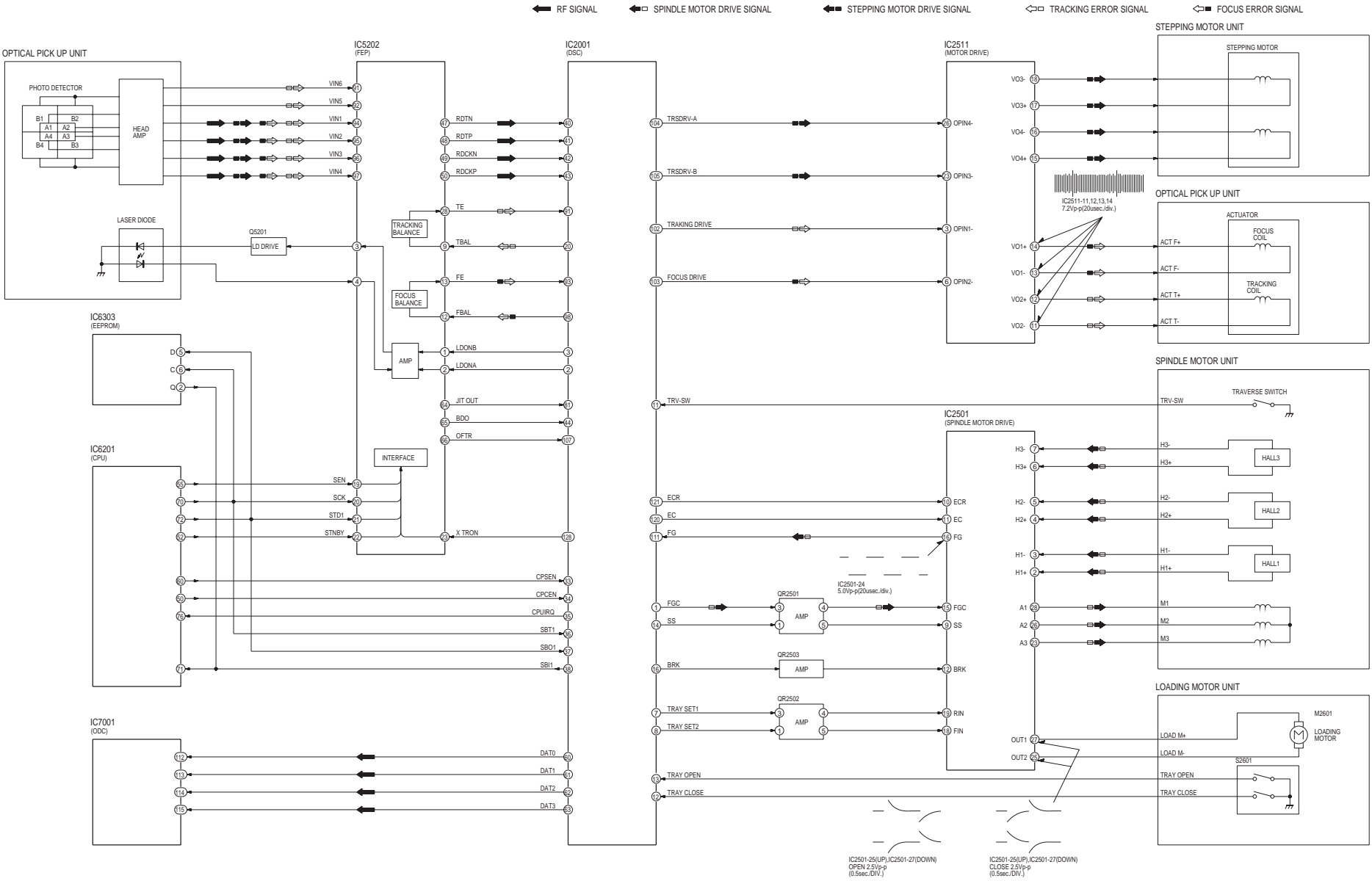
MECHANISM UNIT

MODULE C.B.A.

MOTHER C.B.A.



## SERVO BLOCK DIAGRAM







## CIRCUIT DESCRIPTION

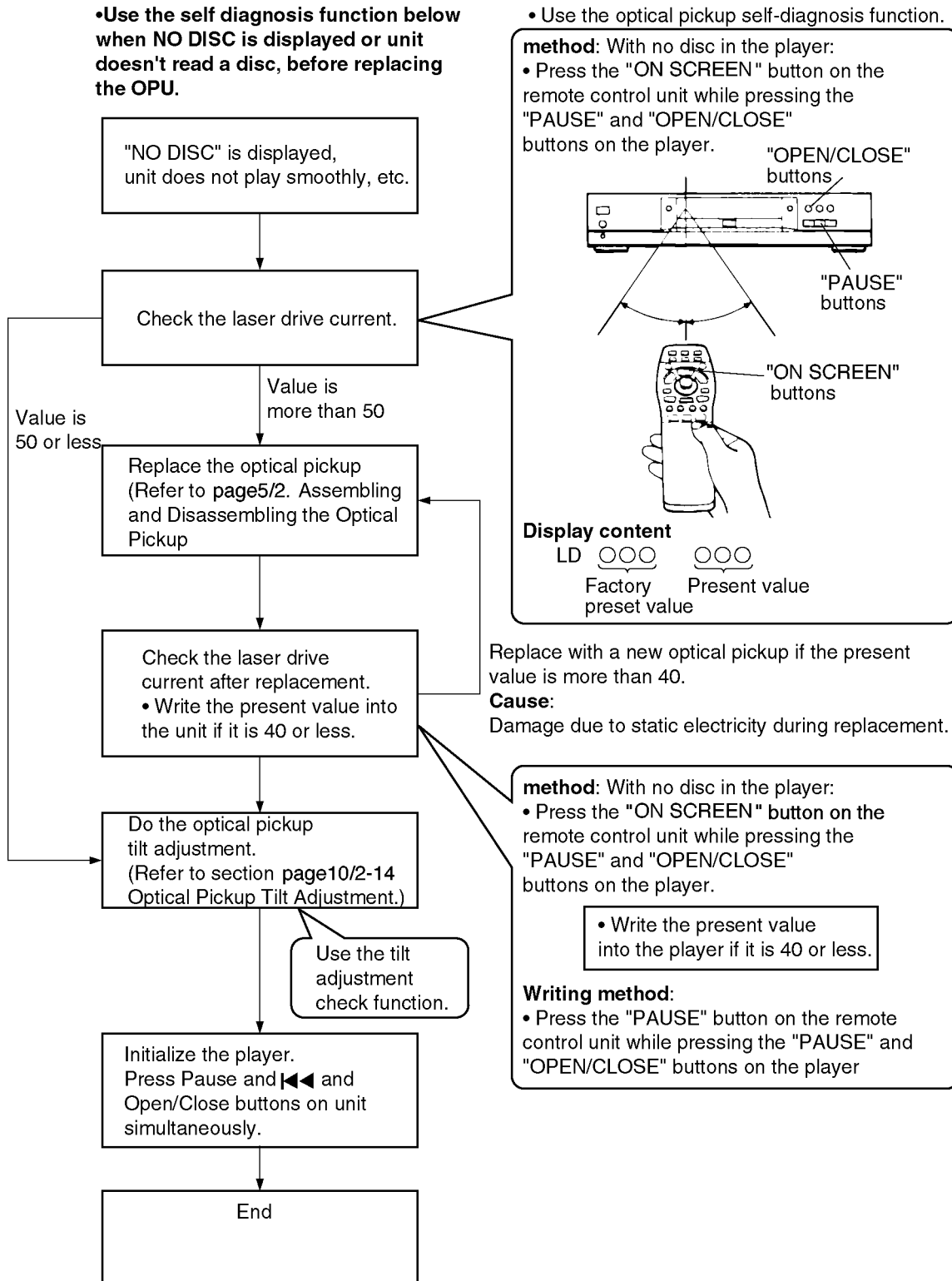
### 1. Optical Pickup Self-Diagnosis and Replacement Procedure

The optical pickup self-diagnosis function and tilt adjustment check function have been newly added to this player. When repairing, use the following procedure for effective Self-diagnosis and tilt adjustment.

Be sure to use the self-diagnosis function before replacing the optical pickup when "NO DISC" is displayed. As a guideline, you should replace the optical pickup when the value of the laser drive current is more than 50.

#### Note

Press the power button to turn on the power, and check the value before the unit warms up (within three minutes).



# DV-303/DVF-5020/K5020

## CIRCUIT DESCRIPTION

### 2. Self-Diagnosis Function and Service Modes

#### 2-1 Service Mode Table

The service modes can be activated by pressing various button combinations on the player and remote control unit.

Player buttons	Remote control unit buttons	Application	Note
PAUSE + OPEN/CLOSE	0	Displaying the UHF display F _ _ _	Refer to page18/2-2 Self-Diagnosis Function (UHF Display).
	5	Tilt adjustment	Refer to Optical Pickup Tilt Adjustment.
	6	Checking the region numbers and broadcast system	
	7	Checking the program version	Check the IC6302 FLASH ROM program.
	9	Lighting Confirmation Function of Display Tube	
	ON SCREEN	Checking the laser drive current	Refer to page17/1. Optical Pickup Self-Diagnosis and Replacement Procedure.
PAUSE ◀◀ OPEN/CLOSE	PAUSE	Writing the laser drive current value after replacing the optical pickup (do not use for anything other than optical pickup replacement)	
		Initializing the DVD player (restoring factory preset settings) *Use when replacing a microprocessor, microprocessor peripheral parts, or C.B.A.	Refer to page20/4-1 Initializing the DVD Player

#### 2-2 Self-Diagnosis Function (UHF Display)

This unit incorporates a convenient self-diagnosis function for use in troubleshooting.

Display method	Display	Diagnosis	Checkpoints
Service numbers displayed during use	U11	Focus error	IC2001, IC2511, IC5201, pickup
	H01	Tray loading error	IC2001, IC2511, loading motor
	H02	Spindle servo error	Spindle motor, IC2501, IC2001
	H03	Traverse error	Stepping motor, IC2511, IC2001
	H04	Tracking servo error	IC2001, IC2501, IC5201, pickup, disc
	H05	Seek error	Stepping motor, IC2511, IC2001
	H06	Power supply error	IC1021, IC1121, IC1151, IC6001
Press the "0" button on the remote control unit while pressing the "PAUSE" and "OPEN/CLOSE" button on the player.	F0**	Disc format error	If this type of error occurs, refer to page19/2-4 Examples of Repairs Using Error Codes.
	F1**	Disc code error	
	F2**	Decoder LSI error	
	F3**	SDRAM error	
	F4**	IIC BUS error	
	F5**	DSC	
	F6**	ECC error	
	F7**	Microprocessor error	
F8**	Microprocessor error		

#### 2-3 Self-Diagnosis Display Function

When an error or trouble is detected during operation, a service number appears in the FL display.

When a service number appears, check out the details given below.

Service number	Player status	Remedy
U 1 1	Disc is dirty.	Wipe the disc clean.
H □ □ □ □ stands for a number.	Trouble is likely to have occurred. The number following "H" differs depending on the status of the player.	Press POWER to set the player to the standby mode and then back to ON. Alternatively, press POWER to set the player to the standby mode, disconnect the AC plug, and then re-connect it.

# DV-303/DVF-5020/K5020

## CIRCUIT DESCRIPTION

### 2-4 Examples of Repairs Using Error Codes

Refer to this section when carrying out repairs.

Error display	Malfunction example
F0**	Disc, IC7001
F103	Disc, IC7001
F4FF	IC6001
F500	Optical pickup, IC2001, IC5201, IC2511, IC2501
F501	IC2001, IC6201
F502	IC2501, IC2511, IC2001, IC5202
F504	IC5202, IC2001
F505	Disc, IC2501, IC2511, IC5202, IC2001
F506	Disc, Optical pickup, IC2001
F600	Disc, IC7001, IC5202, IC2001
F601	Disc, IC7001
F602	Disc, IC5202, IC2001
F603	Disc, IC5202, IC2001
F610	IC7001
F611	IC7001, IC5202, IC2001
F612	IC7001, IC15202, IC2001
F620	Laser drive circuit
F621	Laser drive circuit
F700	IC6201
F701	IC6201
F702	IC6201
F880	IC6201
F890	IC6201
F891	IC6201
F8A0	IC6201
F893	IC6302
F894	IC6303

### 2-5 Sales Demonstration Lock Function

This function prevents discs from being lost when the unit is used for sales demonstrations, by disabling the disc eject function. "LOCKED" is displayed on the unit, and ordinary operation is disabled.

#### 2-5-1 Setting Method

The sales demonstration lock function is set by simultaneously pressing the "POWER" button of DVD Player on the remote control unit and the "STOP" button on the main unit. ("LOCKED" is displayed when the lock function is engaged.)

#### 2-5-2 Release Method

The function can be released using the same procedure as for setting. If the remote control unit is not at hand, the function can be released by using the same method as for player initialization (pressing the "PAUSE," "◀◀" and "OPEN/CLOSE" buttons simultaneously).

# DV-303/DVF-5020/K5020

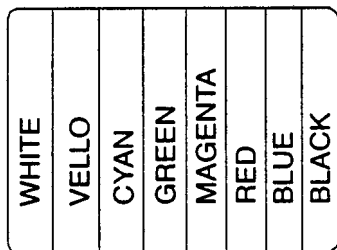
## CIRCUIT DESCRIPTION

### 3. Service Tools and Equipment

#### 3-1 Service Tools and Equipment Table

Application	Name	Number
General	DVD disc (Include the color bar 75%)	
Tilt adjustment	Hex wrench (ø1.27mm)	
Inspection	Extension cables (power supply C.B.A. to mother C.B.A.)	Extension cable(A)
	Extension cable (module C.B.A. to mother C.B.A.)	Extension cable(B)
Others	Screw lock	
	Grease	410-0013-05
Confirmation	CD disc	
	VCD disc	
Electrical adjustment	Oscilloscope	
	Probe	
	AV cable	
	TV monitor	
General	General tools (Screw driver. etc)	
Static electricity countermeasures	Soldering iron (with ESD countermeasure)	
	Anti-static wrist strap	
	Conductive material (conductive sheet)	

#### DVD disc (Include 75% color bar)



COLOR BAR (TV)

#### 3-2 Storing and Handling DVD Discs

Surface precision is vital for DVD discs. Be sure to store and handle them carefully.

1. Do not place discs directly onto the workbench, etc., after use.
2. Handle discs carefully in order to maintain their flatness.  
Place them into their case after use and store them vertically. Store discs in a cool place where they are not exposed to direct sunlight or air from air conditioners.
3. Accurate adjustment will not be possible if the disc is warped from being placed on a surface made of glass, etc. If this happens, use a new test disc to make optical adjustments.
4. If adjustment is done using a warped disc, the adjustment will be incorrect and some discs will not be playable.

### 4. Service Precautions

#### 4-1 Initializing the DVD Player

Initialize the DVD player whenever you replace a microprocessor, microprocessor peripheral parts, module C.B.A or mother C.B.A.

##### 4-1-1 Precautions

The customer settings will return to factory preset settings when the player is initialized. Make a note of the settings and reset them after initializing.

When resetting, see the Initial Settings in the Operating Instructions.

##### 4-1-2 Initialization Method

The player will be initialized (return to the factory preset condition) when you press the "PAUSE", "◀◀" and "OPEN/CLOSE" buttons simultaneously. When the DVD player is initialized, "All Clear" appears on screen, it also displays "INITIALIZE".



# DV-303/DVF-5020/K5020

## ADJUSTMENT

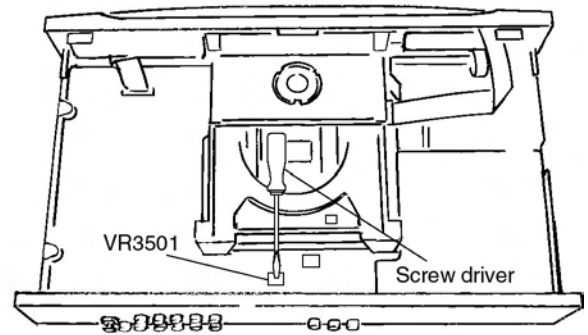
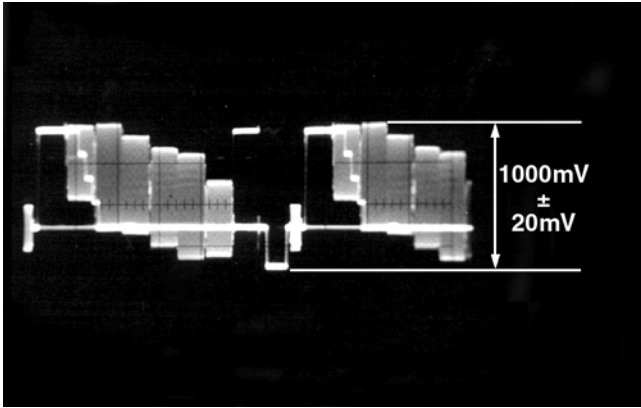
### 1. Video Output (Luminance Signal) Adjustment

Do this adjustment after replacing a C.B.A.

Measurement point	Adjustment point	Mode	Disc
Video output terminal	VR3501 (mother C.B.A.)	Color bar 75%	DVD disc (Color bar 75%)
Measuring equipment, tools		Adjustment value	
Screwdriver, Oscilloscope 200mV/div, 10µsec/div		1000mVp-p±20mV	

Purpose: To maintain video signal output compatibility.

1. Connect the oscilloscope to the video output terminal and terminate at 75 ohms.
2. Adjust VR3501 so that the luminance signal (Y+S) level becomes 1000 mVp-p±20 mV.



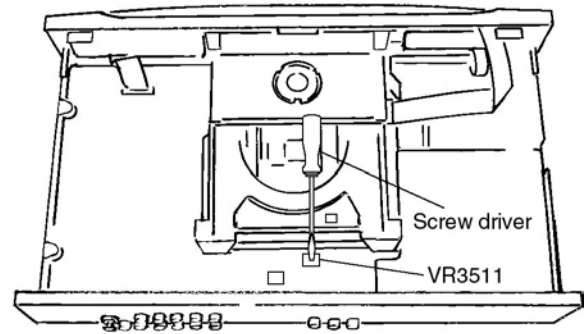
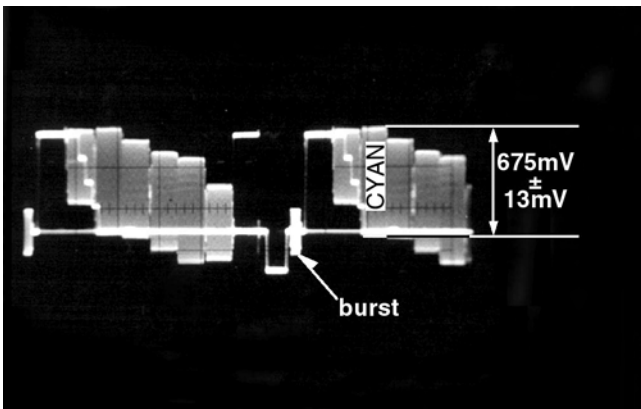
### 2. Video Output (Chrominance Signal) Adjustment

Do this adjustment after replacing a C.B.A.

Measurement point	Adjustment point	Mode	Disc
Video output terminal	VR3511 (mother C.B.A.)	Color bar 75%	DVD disc (Color bar 75%)
Measuring equipment, tools		Adjustment value	
Screwdriver, Oscilloscope 200mV/div, 10µsec/div		675mVp-p±13mV	

Purpose: To maintain video signal output compatibility.

1. Connect the oscilloscope to the video output terminal and terminate at 75 ohms.
2. Adjust VR3511 so that the chrominance signal (C) level becomes 675 mVp-p±13 mV.



# DV-303/DVF-5020/K5020

## ADJUSTMENT/ABBREVIATION

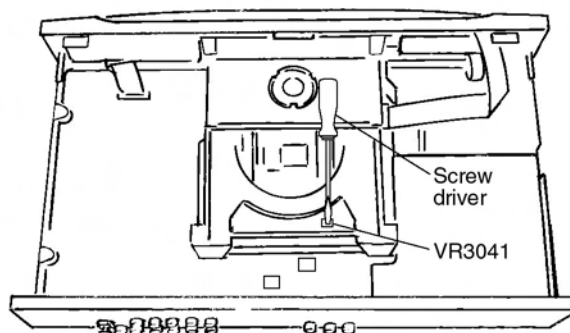
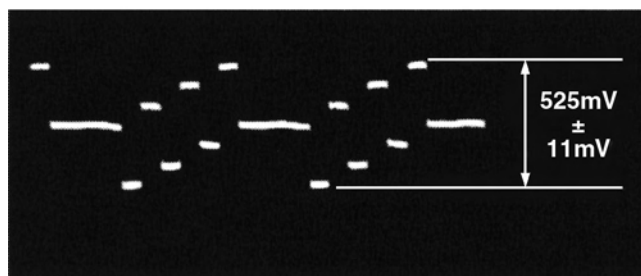
### 3. Video Component Signal (CB) Output Adjustment

Do this adjustment after replacing a C.B.A.

Measurement point	Adjustment point	Mode	Disc
Video output terminal	VR3041 (mother C.B.A.)	Color bar 75%	DVD disc (Color bar 75%)
Measuring equipment, tools		Adjustment value	
Screwdriver, Oscilloscope 100mV/div, 10µsec/div		525mVp-p±11mV	

Purpose: To maintain video signal output compatibility.

1. Connect the oscilloscope to the video component output terminal and terminate at 75 ohms.
2. Apply the trigger at the Y output terminal signal.
3. Adjust VR3041 so that the video component signal (CB) level becomes 525 mVp-p ±11 mV.



### 4. Abbreviations

INITIAL/LOGO	ABBREVIATIONS	
A	A0~UP ADDRESS	
	ACLK AUDIO CLOCK	
	AD0~UP ADDRESS BUS	
	ADATA AUDIO PES PACKET DATA	
	ALE ADDRESS LATCH ENABLE	
	AMUTE AUDIO MUTE	
	AREQ AUDIO PES PACKET REQUEST	
	ARF AUDIO RF	
	ASI SERVO AMP INVERTED INPUT	
	ASO SERVO AMP OUTPUT	
	ASync AUDIO WORD DISTINCTION SYNC	
	B	BCK BIT CLOCK (PCM)
		BCKIN BIT CLOCK INPUT
BDO BLACK DROP OUT		
BLKCK SUB CODE BLOCK CLOCK		
BOTTOM CAP. FOR BOTTOM HOLD		
BYP BYPATH		
BYTCK BYTE CLOCK		
C		CAV CONSTANT ANGULAR VELOCITY
	CBDO CAP. BLACK DROP OUT	
	CD COMPACT DISC	
	CDSCK CD SERIAL DATA CLOCK	
	CDSRDATA CD SERIAL DATA	
	CDRF CD RF (EFM) SIGNAL	
	CDV COMPACT DISC-VIDEO	
	CHNDATA CHANNEL DATA	
	CKSL SYSTEM CLOCK SELECT	
	CLV CONSTANT LINEAR VELOCITY	
	COFTR CAP. OFF TRACK	
	CPA CPU ADDRESS	

INITIAL/LOGO	ABBREVIATIONS	
C	CPCS CPU CHIP SELECT	
	CPDT CPU DATA	
	CPUADR CPU ADDRESS LATCH	
	CPUADT CPU ADDRESS DATA BUS	
	CPUIRQ CPU INTERRUPT REQUEST	
	CPRD CPU READ ENABLE	
	CPWR CPU WRITE ENABLE	
	CS CHIP SELECT	
	CSyncIN COMPOSITE SYNC IN	
	CSyncOUT COMPOSITE SYNC OUT	
	D	DACCK D/A CONVERTER CLOCK
		DEEMP DEEMPHASIS BIT ON/OFF
		DEMPH DEEMPHASIS SWITCHING
		DIG0~UP FL DIGIT OUTPUT
DIN DATA INPUT		
DMSRCK DM SERIAL DATA READ CLOCK		
DMUTE DIGITAL MUTE CONTROL		
DO DROP OUT		
DOUT0~UP DATA OUTPUT		
DRF DATA SLICE RF (BIAS)		
DRPOUT DROP OUT SIGNAL		
DREQ DATA REQUEST		
DRESP DATA RESPONSE		
DSC DIGITAL SERVO CONTROLLER		
DSLFL DATA SLICE LOOP FILTER		
DVD DIGITAL VIDEO DISC		
E	EC ERROR TORQUE CONTROL	
	ECR ERROR TORQUE CONTROL REFERENCE	
	ENCSEL ENCODER SELECT	

## ABBREVIATION

INITIAL/LOGO		ABBREVIATIONS
E	ETMCLK	EXTERNAL M CLOCK (81MHz/40.5MHz)
	ETSCLK	EXTERNAL S CLOCK (54MHz)
F	FBAL	FOCUS BALANCE
	FCLK	FRAME CLOCK
	FE	FOCUS ERROR
	FFI	FOCUS ERROR AMP INVERTED INPUT
	FEO	FOCUS ERROR AMP OUTPUT
	FG	FREQUENCY GENERATOR
	FSC	FREQUENCY SUB CARRIER
	FSCK	FS (384 OVER SAMPLING) CLOCK
G	GND	COMMON GROUNDING (EARTH)
H	HA0~UP	HOST ADDRESS
	HD0~UP	HOST DATA
	HINT	HOST INTERRUPT
	HRXW	HOST READ/WRITE
I	IECOUT	IEC958 FORMAT DATA OUTPUT
	IPFRAG	INTERPOLATION FLAG
	IREF	I (CURRENT) REFERENCE
	ISEL	INTERFACE MODE SELECT
L	LDON	LASER DIODE CONTROL
	LPC	LASER POWER CONTROL
	LRCK	L CH/R CH DISTINCTION CLOCK
M	MA0~UP	MEMORY ADDRESS
	MCK	MEMORY CLOCK
	MCKI	MEMORY CLOCK INPUT
	MCLK	MEMORY SERIAL COMMAND CLOCK
	MDATA	MEMORY SERIAL COMMAND DATA
	MDQ0~UP	MEMORY DATA INPUT/OUTPUT
	MDQM	MEMORY DATA I/O MASK
	MLD	MEMORY SERIAL COMMAND LOAD
	MPEG	MOVING PICTURE EXPERTS GROUP
O	ODC	OPTICAL DISC CONTROLLER
	OFTR	OFF TRACKING
	OSCI	OSCILLATOR INPUT
	OSCO	OSCILLATOR OUTPUT
	OSD	ON SCREEN DISPLAY
P	P1~UP	PORT
	PCD	CD TRACKING PHASE DIFFERENCE
	PCK	PLL CLOCK
	PDVD	DVD TRACKING PHASE DIFFERENCE
	PEAK	CAP. FOR PEAK HOLD
	PLLCLK	CHANNEL PLL CLOCK
	PLLOK	PLL LOCK
	PWMCTL	PWM OUTPUT CONTROL
	PWMDA	PULSE WAVE MOTOR DRIVE A
	PWMOA, B"	PULSE WAVE MOTOR OUT A, B"

INITIAL/LOGO		ABBREVIATIONS
R	RE	READ ENABLE
	RFENV	RF ENVELOPE
	RFO	RF PHASE DIFFERENCE OUTPUT
	RS	(CD-ROM) REGISTER SELECT
	RSEL	RF POLARITY SELECT
	RST	RESET
	RSV	RESERVE
S	SBI0, 1	SERIAL DATA INPUT
	SBO0	SERIAL DATA OUTPUT
	SBT0, 1	SERIAL CLOCK
	SCK	SERIAL DATA CLOCK
	SCKR	AUDIO SERIAL CLOCK RECEIVER
	SCL	SERIAL CLOCK
	SCLK	SERIAL CLOCK
	SDA	SERIAL DATA
	SEG0~UP	FL SEGMENT OUTPUT
	SELCLK	SELECT CLOCK
	SEN	SERIAL PORT ENABLE
	SIN1, 2	SERIAL DATA IN
	SOUT1, 2	SERIAL DATA OUT
	SPDI	SERIAL PORT DATA INPUT
	SPDO	SERIAL PORT DATA OUTPUT
	SPEN	SERIAL PORT R/W ENABLE
	SPRCLK	SERIAL PORT READ CLOCK
	SPWCLK	SERIAL PORT WRITE CLOCK
	SQCK	SUB CODE Q CLOCK
	SQCX	SUB CODE Q DATA READ CLOCK
	SRDATA	SERIAL DATA
SRMADR	SRAM ADDRESS BUS	
SRMDT0~7	SRAM DATA BUS 0~7	
SS	START/STOP	
STAT	STATUS	
STCLK	STREAM DATA CLOCK	
STD0~UP	STREAM DATA	
STENABLE	STREAM DATA INPUT ENABLE	
STSEL	STREAM DATA POLARITY SELECT	
STVALID	STREAM DATA VALIDITY	
SUBC	SUB CODE SERIAL	
SBCK	SUB CODE CLOCK	
SUBQ	SUB CODE Q DATA	
SYSCLK	SYSTEM CLOCK	
T	TE	TRACKING ERROR
	TIBAL	BALANCE CONTROL
	TID	BALANCE OUTPUT 1
	TIN	BALANCE INPUT
	TIP	BALANCE INPUT
	TIS	BALANCE OUTPUT 2
	TPSN	OP AMP INPUT
	TPSO	OP AMP OUTPUT
	TPSP	OP AMP INVERTED INPUT
	TRCRS	TRACK CROSS SIGNAL
	TRON	TRACKING ON
	TRSON	TRAVERSE SERVO ON



# DV-303/DVF-5020/K5020

## VOLTAGE CHART

IC2501

	①	②	③	④	⑤	⑥	⑦	⑧	⑨	⑩	⑪	⑫	⑬	⑭	⑮	⑯	⑰	⑱	⑲	⑳	㉑	㉒	㉓	㉔	㉕	㉖	㉗	㉘	㉙	㉚
STOP	0	2.2	5.0	5.0	5.0	5.0	5.0	0	2.1	2.1	0	5.0	0	2.2	2.2	0.6	0.1	0	0	8.9	8.9	2.2	2.2	2.2	2.2	2.3	2.1	0	0	
PLAY	0.3	2.9	2.9	0.3	2.9	2.9	2.9	0.8	3.5	2.1	2.1	0	4.9	0	0	0.3	0.6	0	0.3	0.3	8.8	8.8	7.2	0.3	0	7.2	0	7.2	0	0

IC2511

	①	②	③	④	⑤	⑥	⑦	⑧	⑨	⑩	⑪	⑫	⑬	⑭	⑮	⑯	⑰	⑱	⑲	⑳	㉑	㉒	㉓	㉔	㉕	㉖	㉗	㉘	㉙	㉚
STOP	0.1	1.4	1.4	1.4	0.1	0.1	1.4	0	2.4	4.9	0.1	0.1	0.1	0.4	5.8	2.2	5.8	2.3	8.9	2.4	0	1.4	1.4	1.4	1.4	1.4	1.4	8.9	0	0
PLAY	1.4	0.8	1.4	1.5	1.3	1.3	0.7	0	3.1	4.9	2.5	2.5	0.5	2.7	3.2	5.1	3.2	1.2	8.8	3.1	0	1.2	1.4	1.4	1.4	1.2	1.4	8.8	0	0

IC3001

	①	②	③	④	⑤	⑥	⑦	⑧	⑨	⑩	⑪	⑫	⑬	⑭	⑮	⑯	⑰	⑱	⑲	⑳	㉑	㉒	㉓	㉔	㉕	㉖	㉗	㉘	㉙	㉚
STOP	0	3.1	3.1	3.1	0	3.1	0	3.1	3.1	3.1	3.1	0	3.1	0	3.1	3.1	0	0	3.1	3.1	3.1	3.1	3.1	0	2.8	2.8	3.1	2.3	0	
PLAY	0	2.7	2.6	3.1	2.6	2.6	0	0	0	3.1	2.6	2.5	0	2.5	0	3.1	2.5	2.6	0	2.5	2.6	3.1	2.6	0	2.2	0	3.1	2.0	2.0	
	③①	③②	③③	③④	③⑤	③⑥	③⑦	③⑧	③⑨	③⑩	③⑪	③⑫	③⑬	③⑭	③⑮	③⑯	③⑰	③⑱	③⑲	③⑳	③㉑	③㉒	③㉓	③㉔	③㉕	③㉖	③㉗	③㉘	③㉙	③㉚
STOP	0	2.5	2.5	3.1	2.6	2.6	0.1	0.1	0.1	3.1	2.5	0.1	0	2.5	0.1	3.1	0.1	0.1	0	3.1	2.7	3.1	0	3.1	3.1	2.7	3.1	3.1	3.0	0
PLAY	0	2.0	0	3.1	2.0	0	0	1.8	0	3.1	1.8	2.0	0	0	2.0	3.1	0.2	2.2	0	3.1	2.0	3.1	0	3.0	1.4	2.0	3.1	2.9	3.0	0
	⑥①	⑥②	⑥③	⑥④	⑥⑤	⑥⑥	⑥⑦	⑥⑧	⑥⑨	⑥⑩	⑥⑪	⑥⑫	⑥⑬	⑥⑭	⑥⑮	⑥⑯	⑥⑰	⑥⑱	⑥⑲	⑥⑳	⑥㉑	⑥㉒	⑥㉓	⑥㉔	⑥㉕	⑥㉖	⑥㉗	⑥㉘	⑥㉙	⑥㉚
STOP	3.1	3.0	3.1	0	1.5	0	0	3.1	0	3.1	0	3.1	0	3.1	1.4	0	0	0	0	3.1	0	0	0	1.5	0	3.1	0	0.1	0	1.2
PLAY	3.1	2.8	3.1	1.5	1.5	1.5	3.1	0	3.1	1.4	3.1	0	1.4	3.1	0	1.5	0	0	0	3.1	1.3	0	0	1.5	0	3.1	1.7	0.1	0	1.6
	⑨①	⑨②	⑨③	⑨④	⑨⑤	⑨⑥	⑨⑦	⑨⑧	⑨⑨	⑨⑩	⑨⑪	⑨⑫	⑨⑬	⑨⑭	⑨⑮	⑨⑯	⑨⑰	⑨⑱	⑨⑲	⑨⑳	⑨㉑	⑨㉒	⑨㉓	⑨㉔	⑨㉕	⑨㉖	⑨㉗	⑨㉘	⑨㉙	⑨㉚
STOP	1.5	3.1	4.7	3.1	0	1.5	0	0	0	0	0.1	0	0.1	3.1	0	2.4	2.4	0	5.0	2.4	2.4	2.3	3.1	3.1	2.4	0	5.0	0	0	5.0
PLAY	1.5	3.1	4.7	3.1	0	1.5	0	0	0	0	0	0	0	3.1	0	0.3	0	0	4.9	0.1	0.3	2.2	0.3	3.1	0.2	0.2	2.6	2.6	2.6	2.6
	⑫①	⑫②	⑫③	⑫④	⑫⑤	⑫⑥	⑫⑦	⑫⑧	⑫⑨	⑫⑩	⑫⑪	⑫⑫	⑫⑬	⑫⑭	⑫⑮	⑫⑯	⑫⑰	⑫⑱	⑫⑲	⑫⑳	⑫㉑	⑫㉒	⑫㉓	⑫㉔	⑫㉕	⑫㉖	⑫㉗	⑫㉘	⑫㉙	⑫㉚
STOP	0	5.0	3.1	0	2.4	3.1	3.1	3.1	3.1	0	2.4	2.9	2.4	3.1	1.5	0	2.4	2.3	2.3	2.4	2.4	2.7	2.7	2.8	3.1	2.7	2.8	2.8	2.9	
PLAY	0.2	0.2	0.2	0	3.1	3.1	3.1	0.3	3.1	2.4	0	3.1	2.7	3.1	3.1	1.5	0	0.2	0.2	0.2	1.8	1.9	2.4	2.3	2.5	3.1	2.4	2.6	2.5	2.6
	⑮①	⑮②	⑮③	⑮④	⑮⑤	⑮⑥	⑮⑦	⑮⑧	⑮⑨	⑮⑩	⑮⑪	⑮⑫	⑮⑬	⑮⑭	⑮⑮	⑮⑯	⑮⑰	⑮⑱	⑮⑲	⑮⑳	⑮㉑	⑮㉒	⑮㉓	⑮㉔	⑮㉕	⑮㉖	⑮㉗	⑮㉘	⑮㉙	⑮㉚
STOP	2.9	2.7	2.7	2.8	2.3	0	2.8	2.8	2.8	2.8	1.1	0.6	0.6	0.6	1.6	0.7	0.3	1.2	3.1	1.5	0	3.1	2.9	1.6	0	2.3	2.3	3.1	1.6	0
PLAY	2.6	0.1	2.4	2.5	2.5	0	2.5	2.5	2.6	2.6	0.7	0.7	0.6	0.5	1.1	0.8	0.8	1.6	3.1	1.5	0	3.0	2.9	1.5	0	0.4	1.4	3.1	1.5	0
	⑱①	⑱②	⑱③	⑱④	⑱⑤	⑱⑥	⑱⑦	⑱⑧	⑱⑨	⑱⑩	⑱⑪	⑱⑫	⑱⑬	⑱⑭	⑱⑮	⑱⑯	⑱⑰	⑱⑱	⑱⑲	⑱⑳	⑱㉑	⑱㉒	⑱㉓	⑱㉔	⑱㉕	⑱㉖	⑱㉗	⑱㉘	⑱㉙	⑱㉚
STOP	1.5	3.1	0	0	0	1.4	1.5	0	0	0.1	3.2	3.3	1.6	0.3	2.6	3.2	3.3	1.7	1.8	2.7	3.2	3.3	1.7	1.7	2.2	0.4	0	0		
PLAY	1.5	3.1	0	0	1.1	1.4	1.5	0	0	0	3.1	3.3	1.6	1.8	2.6	3.0	3.3	1.6	1.8	2.6	3.0	3.3	1.6	1.6	2.2	0.6	0	0		

IC3051

	①	②	③	④	⑤	⑥	⑦	⑧	⑨	⑩	⑪	⑫	⑬	⑭	⑮	⑯	⑰	⑱	⑲	⑳	㉑	㉒	㉓	㉔	㉕	㉖	㉗	㉘	㉙	㉚
STOP	3.1	2.8	2.5	0	2.5	2.6	3.1	2.7	2.6	0	2.5	0.1	3.1	2.7	3.1	0.1	0.1	0.2	0.2	0	0	0	0	1.5	0.2	0	2.1	2.1	2.1	2.1
PLAY	3.1	2.5	2.5	0	2.3	2.2	3.1	2.5	2.4	0	2.4	2.5	3.1	0.3	3.1	3.0	2.9	2.8	0.3	0	0.3	0.3	0	0.3	3.1	0.2	1.3	0.2	0.2	0.2
	③①	③②	③③	③④	③⑤	③⑥	③⑦	③⑧	③⑨	③⑩	③⑪	③⑫	③⑬	③⑭	③⑮	③⑯	③⑰	③⑱	③⑲	③⑳	③㉑	③㉒	③㉓	③㉔	③㉕	③㉖	③㉗	③㉘	③㉙	③㉚
STOP	2.2	2.2	2.2	3.1	1.5	2.7	2.2	3.1	2.2	2.5	0	2.2	2.1	3.1	2.2	2.2	0	2.2	2.2	0	2.2	2.2	0							
PLAY	0	0.1	0.1	3.1	1.5	2.4	0.2	3.1	2.5	2.4	0	2.3	2.3	3.1	2.5	2.4	0	2.4	0.3	0										

IC3071

	①	②	③	④	⑤	⑥
STOP	4.9	0	1.3	3.3	0	4.9
PLAY	4.9	0	1.3	3.3	0	4.9

IC4241

	①	②	③	④	⑤
STOP	0	1.6	0	2.5	5.0
PLAY	1.2	1.5	0	2.5	4.9

IC5201

	①	②	③	④	⑤
STOP	0	4.9	1.3	2.2	0
PLAY	0	4.9	3.3	1.6	0

IC5202

	①	②	③	④	⑤	⑥	⑦	⑧	⑨	⑩	⑪	⑫	⑬	⑭	⑮	⑯	⑰	⑱	⑲	⑳	㉑	㉒	㉓	㉔	㉕	㉖	㉗	㉘	㉙	㉚
STOP	0	0.1	0.1	0	1.6	1.6	1.8	0.1	0.1	1.4	0.8	0.1	1.4	0.1	0.1	0.1	0.1	0.1	3.1	0.1	0.1	3.1	0.1	4.9	0.1	1.2	0	0	1.4	0.1
PLAY	0.2	3.1	3.3	0.5	1.6	1.6	1.8	2.1	1.6	1.3	0.8	1.3	0.3	0.3	0.6	0.3	0.3	0	0.3	0.3	3.1	3.1	0.3	0.3	0	0.2	0.2	0.3	0.3	0.3
	③①	③②	③③	③④	③⑤	③⑥	③⑦	③⑧	③⑨	③⑩	③⑪	③⑫	③⑬	③⑭	③⑮	③⑯	③⑰	③⑱	③⑲	③⑳	③㉑	③㉒	③㉓	③㉔	③㉕	③㉖	③㉗	③㉘	③㉙	③㉚
STOP	0	0	1.4	0	0	0	0	0	0	0	0	0	0	4.9	0	0	0.1	0.1	1.6	0.1	3.1	0	4.9	0	4.9	0	2.2	2.5	0	
PLAY	0.3	0.2	0.2	0.3	0.3	0.3	0.3	0.3	0.3	3.8	0.3	0.2	2.4	4.9	0	0	0.1	0.2	0.1	1.5	3.1	0.3	4.8	0	4.8	0.5	1.2	2.2	2.0	2.0
	⑥①	⑥②	⑥③	⑥④	⑥⑤	⑥⑥	⑥⑦	⑥⑧	⑥⑨	⑥⑩	⑥⑪	⑥⑫	⑥⑬	⑥⑭	⑥⑮	⑥⑯	⑥⑰	⑥⑱	⑥⑲	⑥⑳	⑥㉑	⑥㉒	⑥㉓	⑥㉔	⑥㉕	⑥㉖	⑥㉗	⑥㉘	⑥㉙	⑥㉚
STOP	0	1.6	0	1.3	0.2	0	1.6	1.4	0.1	0.1	2.2	0.1	0.1	0.1	3.4	3.4	0.1	0	2.1	2.1	4.9	0.1	2.2	3.4	0.1	2.0	2.1	1.4	0.1	0.1
PLAY	1.5	1.6	0	1.1	0.2	0.2	1.6	1.4	1.8	2.0	2.3	2.3	2.2	2.9	0.3	3.6	1.1	2.1	2.1	1.3	4.8	1.4	1.3	3.6	3.4	2.0	1.4	1.3	1.3	1.2
	⑨①	⑨②	⑨③	⑨④	⑨⑤	⑨⑥	⑨⑦	⑨⑧	⑨⑨	⑨⑩																				
STOP	0.1	0.1	4.9	2.1	0.1	0.1	0.1	0.1	2.2	0.1																				
PLAY	1.3	2.0	4.8	2.0	2.0	1.3	2.0	2.1	1.3	1.3																				

# DV-303/DVF-5020/K5020

## VOLTAGE CHART

IC6201

	①	②	③	④	⑤	⑥	⑦	⑧	⑨	⑩	⑪	⑫	⑬	⑭	⑮	⑯	⑰	⑱	⑲	⑳	㉑	㉒	㉓	㉔	㉕	㉖	㉗	㉘	㉙	㉚	
STOP	3.1	2.9	0	0	0	0	0	2.7	3.3	3.3	0	0	1.7	2.4	0	2.3	3.1	1.5	0	0	3.1	3.1	1.4	3.1	0	2.5	2.5	2.5	2.3	0	
PLAY	3.1	2.7	3.1	3.1	0	0	3.1	2.5	3.3	0	0	3.1	1.0	0	0	1.9	3.1	1.5	0	0	0	0	1.4	3.1	3.1	1.8	2.0	2.2	0	0	
	③①	③②	③③	③④	③⑤	③⑥	③⑦	③⑧	③⑨	④⑩	④⑪	④⑫	④⑬	④⑭	④⑮	④⑯	④⑰	④⑱	④⑲	④⑳	⑤⑑	⑤⑒	⑤⑓	⑤⑔	⑤⑕	⑤⑖	⑤⑗	⑤⑘	⑤⑙	⑤⑚	
STOP	2.2	2.3	0	3.1	2.1	2.8	2.8	2.8	2.0	2.0	2.0	0	0.1	0	0	0	0	0	0	3.1	0.2	3.1	3.1	3.1	3.1	3.1	0.3	3.1	3.1	3.1	
PLAY	0.6	0.3	0.3	3.1	0	0	0	0	0	0	0	0	0	0	0	0	0	0	0	3.1	3.1	3.1	3.1	3.1	3.1	3.1	0	0.3	3.1	0.3	
	⑥①	⑥②	⑥③	⑥④	⑥⑤	⑥⑥	⑥⑦	⑥⑧	⑥⑨	⑦⑩	⑦⑪	⑦⑫	⑦⑬	⑦⑭	⑦⑮	⑦⑯	⑦⑰	⑦⑱	⑦⑲	⑦⑳	⑧⑑	⑧⑒	⑧⑓	⑧⑔	⑧⑕	⑧⑖	⑧⑗	⑧⑘	⑧⑙	⑧⑚	
STOP	0	1.6	3.1	0.3	0.3	3.1	2.7	0.3	2.6	3.1	3.1	3.1	0.3	0.3	0.3	3.1	3.1	0	0	3.1	0.2	0.2	3.1	0.2	3.1	0.2	0.2	0.3	0.3	0.3	
PLAY	0.3	1.4	0.3	0	0	3.1	3.1	3.1	0.1	0.1	3.1	3.1	3.1	3.1	0.1	3.1	0.1	0.1	0.1	0.1	3.1	3.1	3.1	3.1	3.1	3.1	3.1	3.1	3.1	3.1	
	⑨①	⑨②	⑨③	⑨④	⑨⑤	⑨⑥	⑨⑦	⑨⑧	⑨⑨	⑩⑩																					
STOP	3.1	0	0.3	0.3	3.1	0.2	0.2	0.2	3.1	3.1																					
PLAY	3.1	0	3.1	3.1	3.1	0.1	3.1	3.1	3.1	3.1																					

IC6301

	①	②	③	④	⑤
STOP	0	0	0	3.1	3.1
PLAY	0	0	0	3.1	3.1

IC6303

	①	②	③	④	⑤	⑥	⑦	⑧
STOP	3.1	3.1	3.1	0	3.1	3.1	3.1	3.1
PLAY	3.1	3.1	3.1	0	3.1	3.1	3.1	3.1

IC6302

	①	②	③	④	⑤	⑥	⑦	⑧	⑨	⑩	⑪	⑫	⑬	⑭	⑮	⑯	⑰	⑱	⑲	⑳	㉑	㉒	㉓	㉔	㉕	㉖	㉗	㉘	㉙	㉚
STOP	1.8	2.7	2.8	2.8	1.8	2.0	0.1	1.9	0.1	0	3.1	3.1	0	0	0.1	0	0	2.1	0	2.4	2.3	0.1	0.1	2.3	2.7	2.7	0	0	2.7	2.7
PLAY	1.8	2.5	2.6	1.8	1.1	1.7	1.8	1.5	1.7	1.7	3.1	1.7	1.8	1.7	4.0	1.7	0.8	1.8	1.8	2.1	1.9	2.7	2.8	1.8	2.7	0.3	0	0	2.9	2.9
	③①	③②	③③	③④	③⑤	③⑥	③⑦	③⑧	③⑨	④⑩	④⑪	④⑫	④⑬	④⑭	④⑮	④⑯	④⑰	④⑱												
STOP	2.7	2.7	2.8	2.8	0	2.8	0	2.8	0	0	0	2.9	2.8	0	0	0	3.1	0												
PLAY	2.9	2.9	2.9	0.3	0.3	2.9	0.3	3.0	2.9	2.9	2.9	3.0	2.9	3.0	3.0	0	3.1	2.3												

IC6501

	①	②	③	④	⑤	⑥	⑦	⑧	⑨	⑩	⑪	⑫	⑬	⑭	⑮	⑯
STOP	0	3.1	0	0	0	0	0	0	1.5	3.2	0	0	3.2	1.5	3.1	3.1
PLAY	0	3.1	0	1.1	0	1.2	1.2	1.4	1.2	3.2	1.2	1.2	3.2	1.5	3.1	3.1

IC6511

	①	②	③	④	⑤	⑥
STOP	4.9	1.1	1.2	3.3	0	4.9
PLAY	4.9	0	1.2	3.3	0	4.9

IC6521

	①	②	③	④	⑤	⑥	⑦	⑧
STOP	1.4	1.5	1.4	0	1.4	3.1	0	2.4
PLAY	1.4	1.1	1.4	0	1.4	3.1	0	3.0

IC6522

	①	②	③	④	⑤	⑥	⑦	⑧
STOP	1.4	2.3	1.3	0	1.3	3.0	3.0	3.0
PLAY	1.4	1.3	1.3	0	1.1	3.0	3.0	3.0

IC6542

	①	②	③	④	⑤
STOP	2.6	2.6	0	2.6	3.0
PLAY	1.3	1.3	0	1.4	3.0

IC6562

	①	②	③	④	⑤
STOP	2.3	1.5	0	1.4	3.0
PLAY	1.2	1.5	0	1.4	3.0

IC6563

	①	②	③	④	⑤	⑥	⑦	⑧
STOP	2.4	2.3	1.3	0	1.3	3.0	3.0	3.0
PLAY	1.4	1.3	1.3	0	1.3	3.0	3.0	3.0

IC6582

	①	②	③	④	⑤
STOP	0	1.5	0	1.4	3.0
PLAY	1.4	1.4	0	1.4	3.0

IC6583

	①	②	③	④	⑤	⑥	⑦	⑧
STOP	1.5	1.4	1.4	0	1.4	3.0	3.0	3.0
PLAY	1.4	0	1.3	0	1.4	3.0	3.0	3.0

IC7001

	①	②	③	④	⑤	⑥	⑦	⑧	⑨	⑩	⑪	⑫	⑬	⑭	⑮	⑯	⑰	⑱	⑲	⑳	㉑	㉒	㉓	㉔	㉕	㉖	㉗	㉘	㉙	㉚	
STOP	5.0	5.0	0	5.0	5.0	0.1	0.1	0	0.1	3.1	5.0	0	5.0	5.0	5.0	5.0	0	0	5.0	5.0	5.0	5.0	0.1	0.1	0.1	0.1	0.1	0.1	0	3.1	
PLAY	2.6	0.2	2.5	4.9	0.2	2.6	0.2	0	2.5	3.1	0.2	2.5	4.9	2.6	4.9	0.2	2.6	0	0.2	2.6	0.2	4.9	0.2	0.2	0.2	3.1	3.1	0.7	0	3.1	
	③①	③②	③③	③④	③⑤	③⑥	③⑦	③⑧	③⑨	④⑩	④⑪	④⑫	④⑬	④⑭	④⑮	④⑯	④⑰	④⑱	④⑲	④⑳	⑤⑑	⑤⑒	⑤⑓	⑤⑔	⑤⑕	⑤⑖	⑤⑗	⑤⑘	⑤⑙	⑤⑚	
STOP	3.1	0.1	0	0	0	3.1	1.7	1.7	0	2.7	0	2.7	1.8	3.1	3.1	0.8	0	0	1.5	1.2	2.1	1.5	1.7	1.8	2.1	0	0.2	0	0		
PLAY	0.3	0.6	0	0	0	3.1	1.1	1.1	0	2.5	2.6	0.2	1.2	3.1	0.2	2.0	1.5	0.2	1.8	0.2	0.2	1.8	1.9	1.9	2.0	0	0.2	3.1	3.1	2.7	
	⑥①	⑥②	⑥③	⑥④	⑥⑤	⑥⑥	⑥⑦	⑥⑧	⑥⑨	⑦⑩	⑦⑪	⑦⑫	⑦⑬	⑦⑭	⑦⑮	⑦⑯	⑦⑰	⑦⑱	⑦⑲	⑦⑳	⑧⑑	⑧⑒	⑧⑓	⑧⑔	⑧⑕	⑧⑖	⑧⑗	⑧⑘	⑧⑙	⑧⑚	
STOP	3.1	3.1	0	4.0	0	3.1	0	3.1	0	3.1	0	3.1	3.1	0.1	3.1	0	0.1	0	0.2	0	0	0	0	0	0.1	3.1	0	0	0	0.1	
PLAY	3.1	2.6	2.6	4.0	0.3	3.1	0	2.5	2.5	2.5	0	2.5	2.4	2.3	1.5	3.1	0	3.1	0	0.2	0	0	0	0	0	3.1	3.1	0	3.1	0	
	⑨①	⑨②	⑨③	⑨④	⑨⑤	⑨⑥	⑨⑦	⑨⑧	⑨⑨	⑩⑩	⑩⑪	⑩⑫	⑩⑬	⑩⑭	⑩⑮	⑩⑯	⑩⑰	⑩⑱	⑩⑲	⑩⑳	⑪⑑	⑪⑒	⑪⑓	⑪⑔	⑪⑕	⑪⑖	⑪⑗	⑪⑘	⑪⑙	⑪⑚	
STOP	0.1	3.1	0	3.1	0	3.1	0	3.1	0	0	1.4	3.1	0	3.1	3.1	3.1	0	0	0	0	0	0	1.5	1.5	1.5	0	3.1	0	3.1	0	0
PLAY	0	0	0	3.1	0	3.1	0	3.1	0	0	3.1	0	3.1	3.1	3.1	3.1	0	0	3.1	0	0.5	1.5	0	1.5	0	3.1	0	0	0	0	
	⑫①	⑫②	⑫③	⑫④	⑫⑤	⑫⑥	⑫⑦	⑫⑧	⑫⑨	⑬⑩	⑬⑪	⑬⑫	⑬⑬	⑬⑭	⑬⑮	⑬⑯	⑬⑰	⑬⑱	⑬⑲	⑬⑳	⑭⑑	⑭⑒	⑭⑓	⑭⑔	⑭⑕						
STOP	0	0	0	0	5.0	5.0	0	5.0	0	3.1	2.3	5.0	0	0	0	0	0	0	5.0	0	0.4	2.5	0	0.1	0.1						
PLAY	0	0	0	0	4.9	4.9	0	4.9	0	3.1	2.2	4.9	0.1	0	4.9	0.4	0	4.9	4.9	0.1	2.4	0	0	0							

# DV-303/DVF-5020/K5020

## VOLTAGE CHART

IC7301

	①	②	③	④	⑤
STOP	3.1	2.9	0	2.9	3.1
PLAY	3.1	3.0	0	3.0	3.1

IC7302

	①	②	③	④	⑤
STOP	2.9	3.1	0	3.1	3.1
PLAY	3.0	3.1	0	3.1	3.1

### TRANSISTOR

Q3201

	E	C	B
STOP	1.5	0	0.9
PLAY	0.1	0	0.9

Q3211

	E	C	B
STOP	2.3	0	0.5
PLAY	1.3	0	0.7

Q3221

	E	C	B
STOP	1.4	0	0.8
PLAY	1.4	0	0.7

Q3231

	E	C	B
STOP	1.4	0	0.8
PLAY	1.4	0	0.7

Q5201

	①	②	③
STOP	4.5	4.9	1.2
PLAY	3.3	3.9	2.2

### TRANSISTOR & RESISTOR

QR2501

	①	②	③	④	⑤
STOP	3.1	0.2	0.2	0	0
PLAY	0	0	3.1	0	3.5

QR2502

	①	②	③	④	⑤
STOP	3.1	0	0.2	0	0
PLAY	3.1	0	3.1	0	0

QR2503

	E	C	B
STOP	0	0	0.2
PLAY	0	1.5	3.1

QR5201

	E	C	B
STOP	0	1.7	0.3
PLAY	0	1.4	0

QR5202

	E	C	B
STOP	0	1.3	0
PLAY	0	1.3	0.1

QR6311

	E	C	B
STOP	0	3.1	0
PLAY	0	3.1	1.1

### 5-3 MOTHER C.B.A.

#### IC

IC3531

	①	②	③	④	⑤	⑥	⑦	⑧	⑨	⑩	⑪	⑫	⑬	⑭	⑮	⑯	⑰	⑱	⑲	⑳	㉑	㉒
STOP	2.4	0	2.3	4.9	2.3	4.9	2.3	4.9	2.0	0	1.9	2.0	0	2.4	4.9	2.0	1.5	0	2.0	1.6	0	0
PLAY	2.4	0	2.4	4.9	2.2	4.9	2.2	4.9	1.9	0	1.9	1.9	0	2.4	4.9	2.4	1.6	0	2.4	1.8	0	0

IC4201

	①	②	③	④	⑤	⑥	⑦	⑧	⑨	⑩	⑪	⑫	⑬	⑭	⑮	⑯	⑰	⑱	⑲	⑳	㉑	㉒	㉓	㉔	㉕	㉖	㉗	㉘
STOP	1.6	0	1.5	1.8	1.4	4.6	0	4.8	4.8	0	2.4	2.5	2.4	0	4.8	2.4	2.5	2.4	0	4.8	0.2	4.8	0	4.8	4.8	5.0	5.0	5.0
PLAY	1.6	1.1	1.5	1.8	1.4	4.5	0	4.8	4.8	0	2.4	2.7	2.4	0	4.8	2.4	2.7	2.4	0	4.8	5.0	4.8	0	4.8	4.8	5.0	5.0	5.0

IC4251

	①	②	③	④	⑤	⑥	⑦	⑧	⑨	⑩	⑪	⑫	⑬	⑭	⑮	⑯	⑰	⑱
STOP	0	5.0	5.0	5.0	0	0	0	0	2.9	0	0	0	0	0	0	0	0	5.0
PLAY	0	5.0	5.0	5.0	0	0	0	0	2.9	0	0	0	0	0	0	0	0	5.0

IC4266

	①	②	③	④	⑤	⑥	⑦	⑧	⑨	⑩	⑪	⑫	⑬	⑭
STOP	3.1	5.0	3.1	5.0	3.1	5.0	0	5.0	3.1	0	0	0	0	5.0
PLAY	3.1	5.0	3.1	5.0	3.1	5.0	0	5.0	3.1	0	0	0	0	5.0

IC4306

	①	②	③	④	⑤	⑥	⑦	⑧
STOP	0	0	0	-8.4	0	0	0	8.5
PLAY	0	0	0	-8.4	0	0	0	8.5

IC4461

	①	②	③	④	⑤	⑥	⑦	⑧
STOP	0	0.2	0	-8.9	0	0	0	9.0
PLAY	0.9	0.9	0	-8.9	0	0	0	9.0

IC4751

	①	②	③	④	⑤	⑥	⑦	⑧
STOP	2.4	2.5	2.4	0	2.5	2.4	2.5	5.0
PLAY	2.4	2.5	2.4	0	2.5	2.4	2.5	5.0

IC4781

	①	②	③
STOP	0	2.5	5.0
PLAY	0	2.5	5.0

IC4901

	①	②	③	④	⑤
STOP	11.0	3.3	9.0	2.1	0
PLAY	11.0	3.3	9.0	2.2	0

# DV-303/DVF-5020/K5020

## VOLTAGE CHART

IC6001

	①	②	③	④	⑤	⑥	⑦	⑧	⑨	⑩	⑪	⑫	⑬	⑭	⑮	⑯	⑰	⑱	⑲	⑳	㉑	㉒	㉓	㉔	㉕	㉖	㉗	㉘	㉙	㉚
STOP	5.1	5.1	5.1	5.1	2.5	2.4	0	2.5	2.7	0	0	0	5.1	5.1	-31.4	1.5	-18.0	-28.8	-28.8	-28.8	-16.2	-21.1	-21.4	2.2	2.2	2.4	2.4	-28.5	-28.4	2.4
PLAY	5.1	2.9	5.1	5.1	2.5	2.4	0	2.6	2.7	0	0	0	5.1	5.1	-29.5	2.0	-10.1	-24.6	-21.7	-27.0	-17.5	-14.5	-21.8	2.8	2.9	-14.5	2.8	-24.3	-26.6	2.8
	㉛	㉜	㉝	㉞	㉟	㊱	㊲	㊳	㊴	㊵	㊶	㊷	㊸	㊹	㊺	㊻	㊼	㊽	㊾	㊿	①	②	③	④	⑤	⑥	⑦	⑧	⑨	⑩
STOP	2.4	-28.8	2.4	-28.8	-28.8	-28.8	-28.8	-28.7	-21.4	-21.8	2.4	-22.8	-23.0	1.6	1.5	3.7	2.5	5.1	0	2.6	2.6	2.5	2.6	0	5.1	5.1	0	5.1	5.1	
PLAY	2.9	3.0	-27.0	-27.0	-26.9	2.9	-26.9	-26.9	2.9	-19.8	-20.1	-20.2	-21.2	-21.3	2.1	2.1	3.6	2.5	5.1	0	3.1	2.8	3.1	2.9	0	5.1	5.1	0	5.1	5.1
	⑪	⑫	⑬	⑭	⑮	⑯	⑰	⑱	⑲	⑳	㉑	㉒	㉓	㉔	㉕	㉖	㉗	㉘	㉙	㉚	㉛	㉜	㉝	㉞	㉟	㊱	㊲	㊳	㊴	㊵
STOP	5.1	4.4	4.0	3.0	5.1	0	5.1	0	0	0	0	2.3	2.5	2.5	0	5.0	0	0	0.1	5.1	5.1	5.1	5.1	5.1						
PLAY	5.1	4.5	4.2	3.0	5.1	0	3.1	0	0	0	0	2.3	2.9	2.9	0	5.1	0	0	0.1	5.1	5.1	5.1	5.1	5.1						

IC6002

	①	②	③
STOP	5.1	0	5.1
PLAY	5.1	0	5.1

IC6003

	①	②	③
STOP	5.1	0	5.1
PLAY	5.1	0	5.1

IC6004

	①	②	③	④	⑤
STOP	2.7	2.7	0	4.4	5.1
PLAY	2.7	2.7	0	4.5	5.1

IC6005

	①	②	③	④	⑤
STOP	2.5	2.5	0	4.0	5.1
PLAY	2.5	2.5	0	4.0	5.1

### TRANSISTOR

Q3501

	(E)	(C)	(B)
STOP	1.7	0	1.0
PLAY	1.9	0	1.3

Q3502

	(E)	(C)	(B)
STOP	1.1	4.9	1.7
PLAY	1.3	4.9	1.9

Q3503

	(E)	(C)	(B)
STOP	1.7	0	1.0
PLAY	1.9	0	1.2

Q3511

	(E)	(C)	(B)
STOP	3.1	0	2.5
PLAY	3.1	0	2.5

Q3512

	(E)	(C)	(B)
STOP	2.5	4.9	3.1
PLAY	2.5	4.9	3.1

Q3513

	(E)	(C)	(B)
STOP	1.8	0	1.2
PLAY	1.8	0	1.2

Q3561

	(E)	(C)	(B)
STOP	0.9	4.9	1.5
PLAY	0.9	4.9	1.5

Q3571

	(E)	(C)	(B)
STOP	0.9	4.9	1.5
PLAY	0.9	4.9	1.5

Q3603

	(E)	(C)	(B)
STOP	3.2	0	2.5
PLAY	3.2	0	2.5

Q4301

	(E)	(C)	(B)
STOP	0	0	-1.6
PLAY	0	0	-1.4

Q4302

	(E)	(C)	(B)
STOP	0	8.9	0
PLAY	0	8.9	0

Q4303

	(E)	(C)	(B)
STOP	0	8.9	0
PLAY	0	8.9	0

Q4311

	(E)	(C)	(B)
STOP	0	0	-2.1
PLAY	0	0	-1.4

Q4313

	(E)	(C)	(B)
STOP	0	8.9	0
PLAY	0	8.9	0

Q4501

	(E)	(C)	(B)
STOP	0	0	0.7
PLAY	0	0	-4.9

Q4505

	(E)	(C)	(B)
STOP	0	0	0.7
PLAY	0	0	0.7

Q4511

	(E)	(C)	(B)
STOP	0	0	0.7
PLAY	0	0	-4.9

Q4515

	(E)	(C)	(B)
STOP	0	0	0.7
PLAY	0	0	-4.9

Q4561

	(E)	(C)	(B)
STOP	0	0	0.7
PLAY	0	0	-4.9

Q4562

	(E)	(C)	(B)
STOP	0	0	0.7
PLAY	0	0	-4.9

Q4571

	(E)	(C)	(B)
STOP	0	0	0.7
PLAY	0	0	-4.9

Q4572

	(E)	(C)	(B)
STOP	0	0	0.7
PLAY	0	0	0.7

### 5-4 MIC JACK C.B.A.

#### IC

IC4691

	①	②	③	④	⑤	⑥	⑦	⑧
STOP	0	0	0	-8.9	0	0	0	9.0
PLAY	0	0	0	-8.9	0	0	0	9.0

IC4952

	①	②	③	④	⑤	⑥	⑦	⑧
STOP	0	0	0	-8.9	0	0	0	9.0
PLAY	0	0	0	-8.9	0	0	0	9.0

IC4953

	①	②	③	④	⑤	⑥	⑦	⑧
STOP	0	0	0	-8.9	0	0	0	9.0
PLAY	0	0	0	-8.9	0	0	0	9.0

IC4951

	①	②	③	④	⑤	⑥	⑦	⑧	⑨	⑩	⑪	⑫	⑬	⑭	⑮	⑯
STOP	0	0	0	0	0	0	0	0	0	0	0	0	0	0	5.0	0
PLAY	0	0	0	0	0	0	0	0	0	0	0	0	0	0	5.0	0

### TRANSISTOR & RESISTOR

QR4951

	(E)	(C)	(B)
STOP	0	0	0
PLAY	0	0	0



# DV-303/DVF-5020/K5020

## VOLTAGE CHART

### 5-5 MIC VOLUME C.B.A.

IC

IC4671

	①	②	③	④	⑤	⑥	⑦	⑧
STOP	0	0	0	-9.1	0	0	0	8.9
PLAY	0	0	0	-9.1	0	0	0	8.9

Q4901

	(E)	(C)	(B)
STOP	9.0	9.0	8.3
PLAY	9.0	9.0	8.3

Q4911

	(E)	(C)	(B)
STOP	-8.9	-10.6	-9.5
PLAY	-8.9	-10.6	-9.5

Q4912

	(E)	(C)	(B)
STOP	0	-9.5	-0.7
PLAY	0	-9.5	-0.7

Q4913

	(E)	(C)	(B)
STOP	-9.5	-9.5	-8.8
PLAY	-9.5	-9.5	-8.8

Q4951

	①	②	③
STOP	9.0	8.9	8.5
PLAY	9.0	8.9	8.5

Q4961

	①	②	③
STOP	-8.9	-8.8	-8.4
PLAY	-8.9	-8.8	-8.4

Q6009

	(E)	(C)	(B)
STOP	-24.1	-24.0	-23.3
PLAY	2.4	-22.1	-21.4

### TRANSISTOR & RESISTOR

QR3521

	(E)	(C)	(B)
STOP	0	0	3.1
PLAY	0	0	3.1

QR3522

	(E)	(C)	(B)
STOP	0	0	3.1
PLAY	0	0	3.1

QR3601

	(E)	(C)	(B)
STOP	0	0	3.1
PLAY	0	0	3.1

QR4301

	(E)	(C)	(B)
STOP	0	9.0	0
PLAY	0	9.0	0

QR4302

	(E)	(C)	(B)
STOP	0.1	-2.1	0
PLAY	0.1	-1.9	0

QR4303

	(E)	(C)	(B)
STOP	0	0.1	2.9
PLAY	0	0.1	2.9

QR4311

	(E)	(C)	(B)
STOP	0	9.0	0
PLAY	0	9.0	0

QR4312

	(E)	(C)	(B)
STOP	9.0	8.8	8.9
PLAY	9.0	8.9	8.9

QR4501

	(E)	(C)	(B)
STOP	1.7	1.5	0
PLAY	1.7	1.5	0

QR4591

	(E)	(C)	(B)
STOP	0	5.1	0
PLAY	0	0	3.1

QR4592

	(E)	(C)	(B)
STOP	5.1	-3.0	5.1
PLAY	4.5	4.4	3.0

QR4593

	(E)	(C)	(B)
STOP	0	2.1	-3.0
PLAY	0	0	4.4

QR4594

	(E)	(C)	(B)
STOP	2.1	1.7	0
PLAY	0	-4.9	0

QR4595

	(E)	(C)	(B)
STOP	2.3	1.7	0.6
PLAY	5.1	-4.9	5.1

QR6001

	(E)	(C)	(B)
STOP	5.1	-0.5	5.1
PLAY	5.1	0.3	5.1

QR6002

	(E)	(C)	(B)
STOP	5.1	-0.5	5.1
PLAY	5.1	0.2	5.1

QR6003

	(E)	(C)	(B)
STOP	5.1	-0.3	5.1
PLAY	5.1	0.4	5.1

QR6004

	(E)	(C)	(B)
STOP	0	3.3	0.1
PLAY	0	3.3	0.1

QR6005

	(E)	(C)	(B)
STOP	5.1	-1.4	5.1
PLAY	5.1	-1.3	5.1

QR6006

	(E)	(C)	(B)
STOP	5.1	-1.5	5.1
PLAY	5.1	-1.3	5.1

QR6007

	(E)	(C)	(B)
STOP	5.1	5.0	0.2
PLAY	5.1	5.0	0.2

QR6008

	(E)	(C)	(B)
STOP	5.1	-5.0	3.7
PLAY	5.1	-3.8	3.6

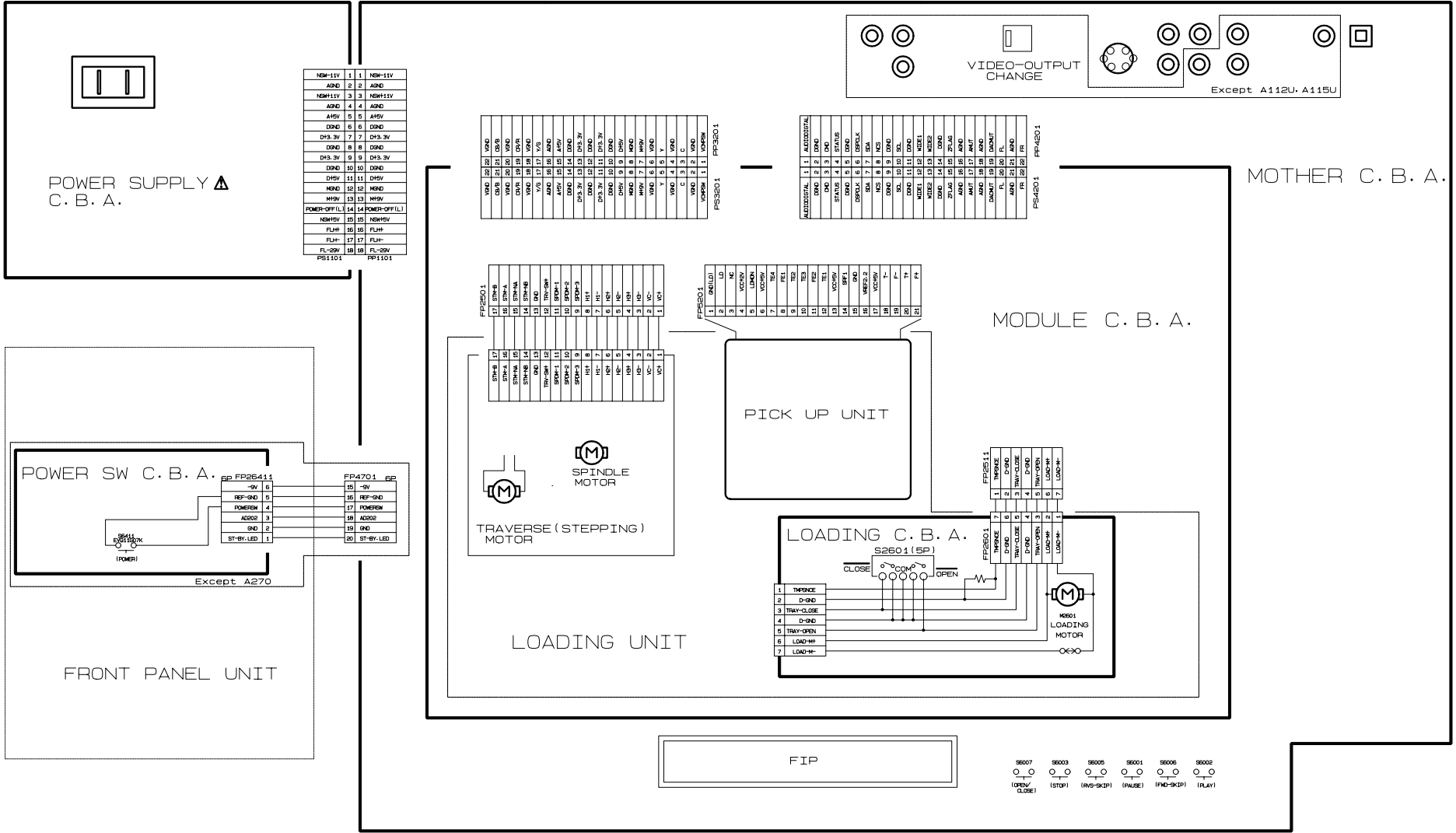
### 5-6 VIDEO COMPONENT C.B.A.

IC

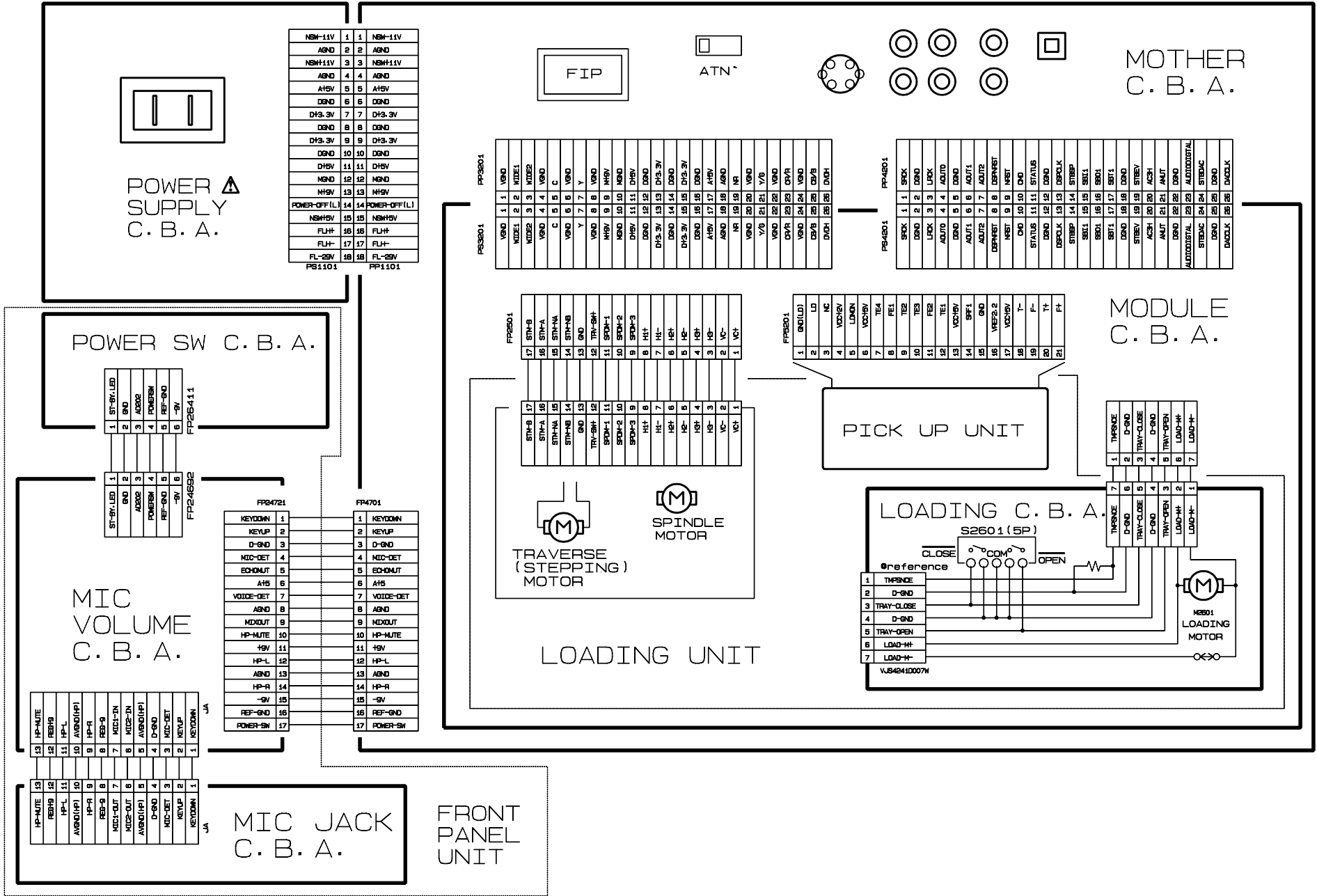
IC3581

	①	②	③	④	⑤	⑥	⑦	⑧	⑨	⑩	⑪	⑫	⑬	⑭	⑮	⑯
STOP	0	0	0	0.9	0	0.2	0.9	0	2.6	2.7	0.5	2.6	2.7	0.8	0.7	4.9
PLAY	0	0	0	0.9	0	0.2	0.9	0	2.6	2.7	0.5	2.6	2.7	0.8	0.7	4.9

### INTERCONNECTION DIAGRAM

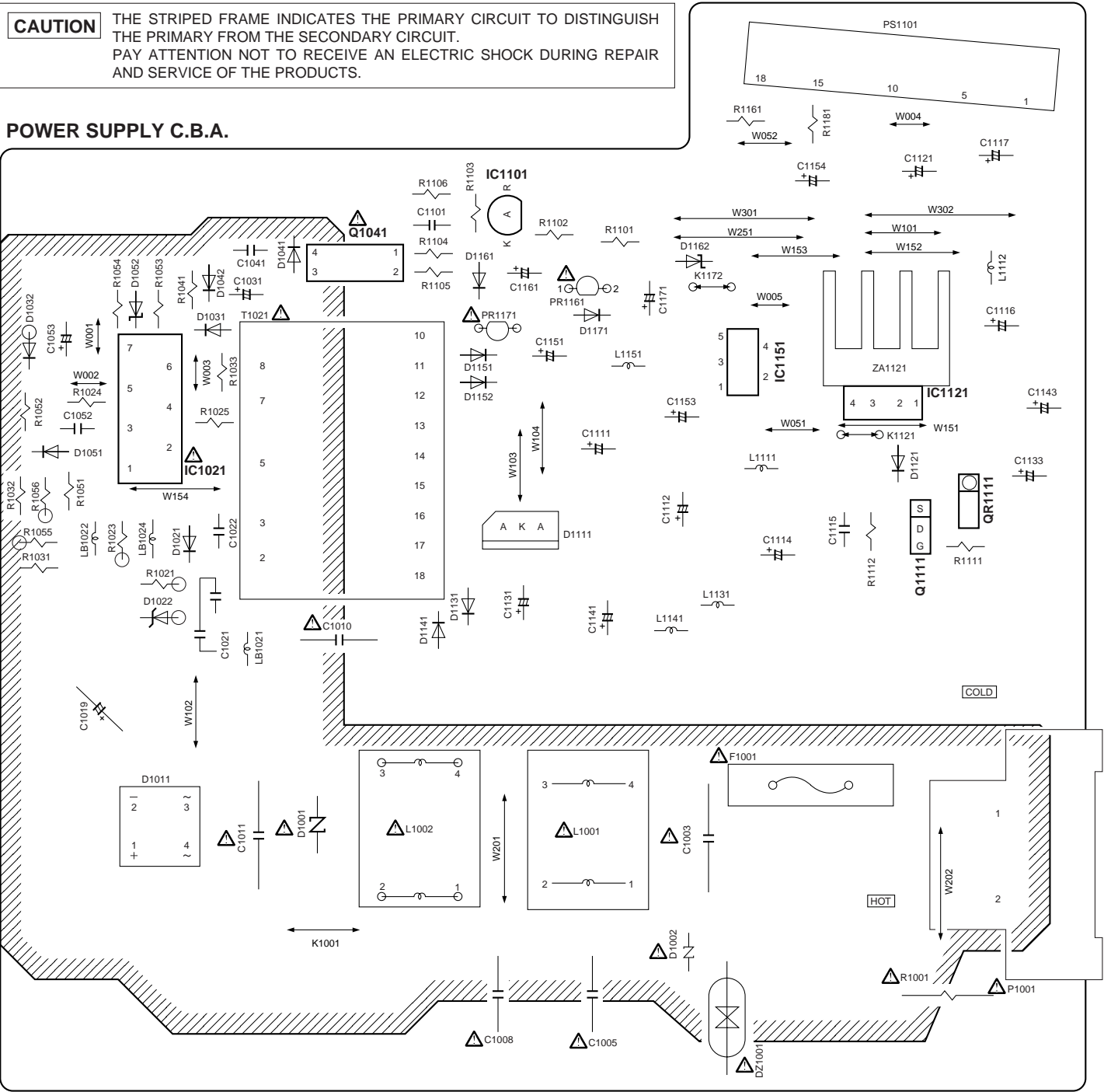


# INTERCONNECTION DIAGRAM



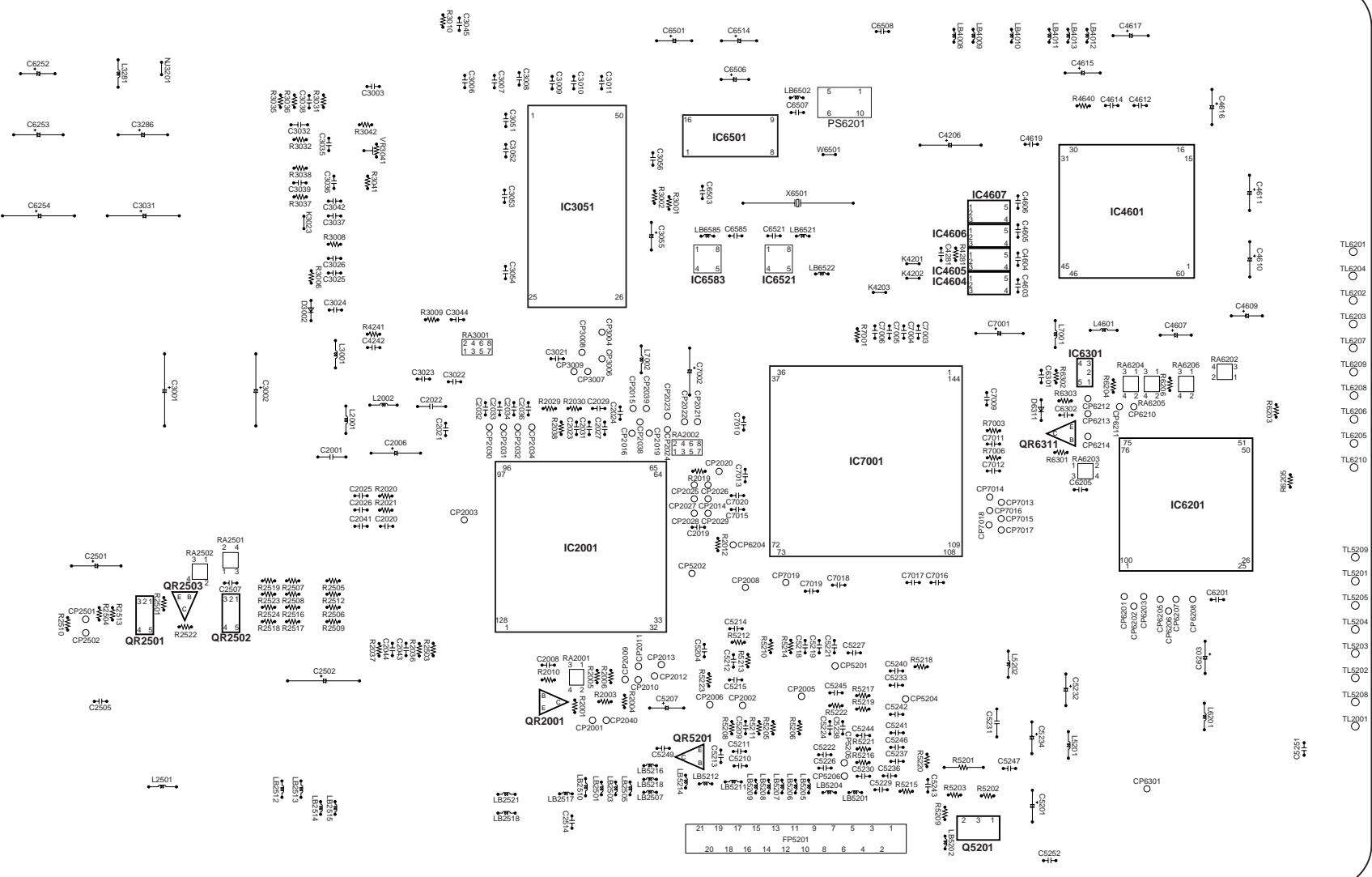
## WIRING DIAGRAM (DVF-K5020)

## DV-303/DVF-5020/K5020





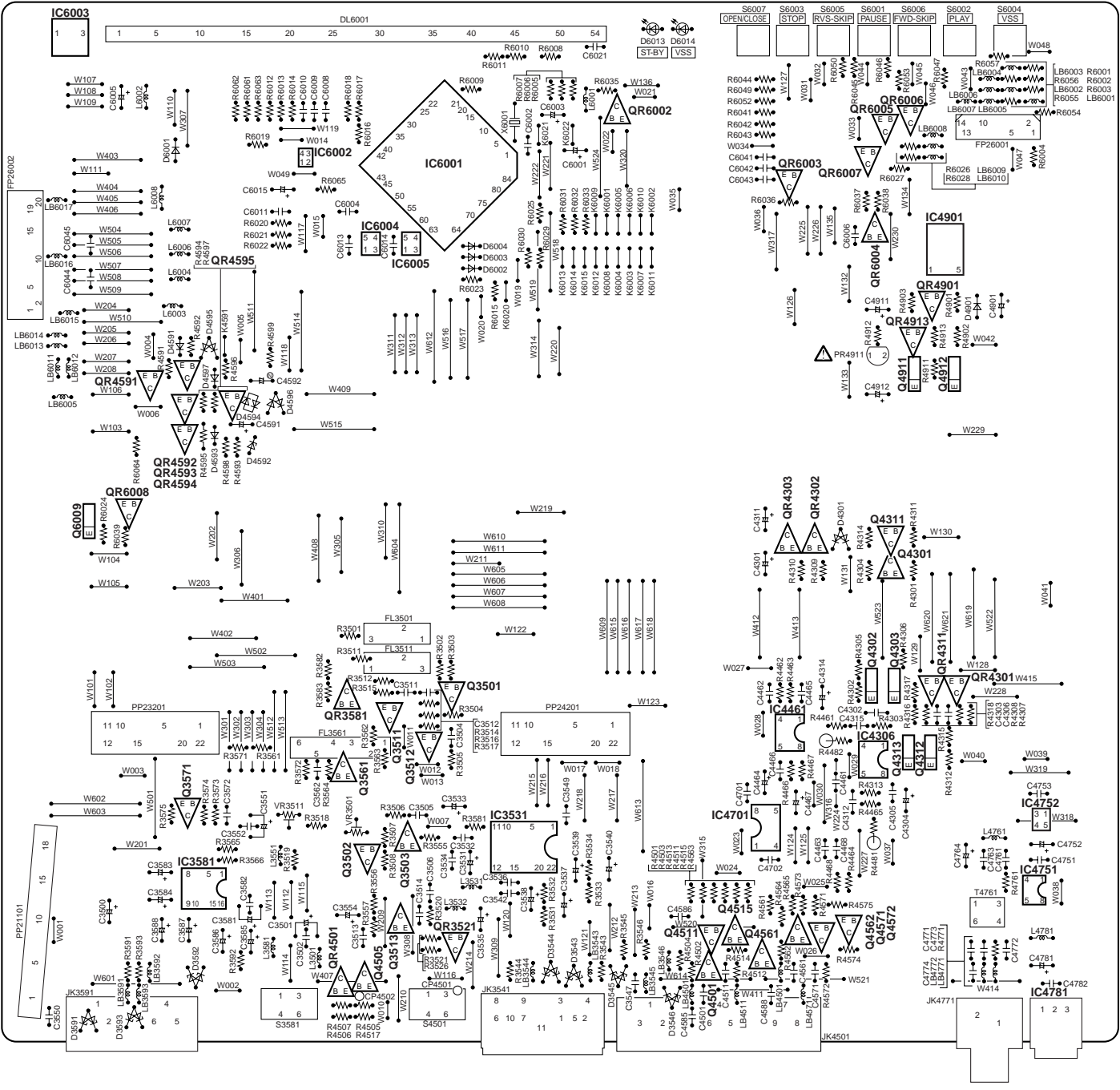
MODULE C.B.A. (2/2)



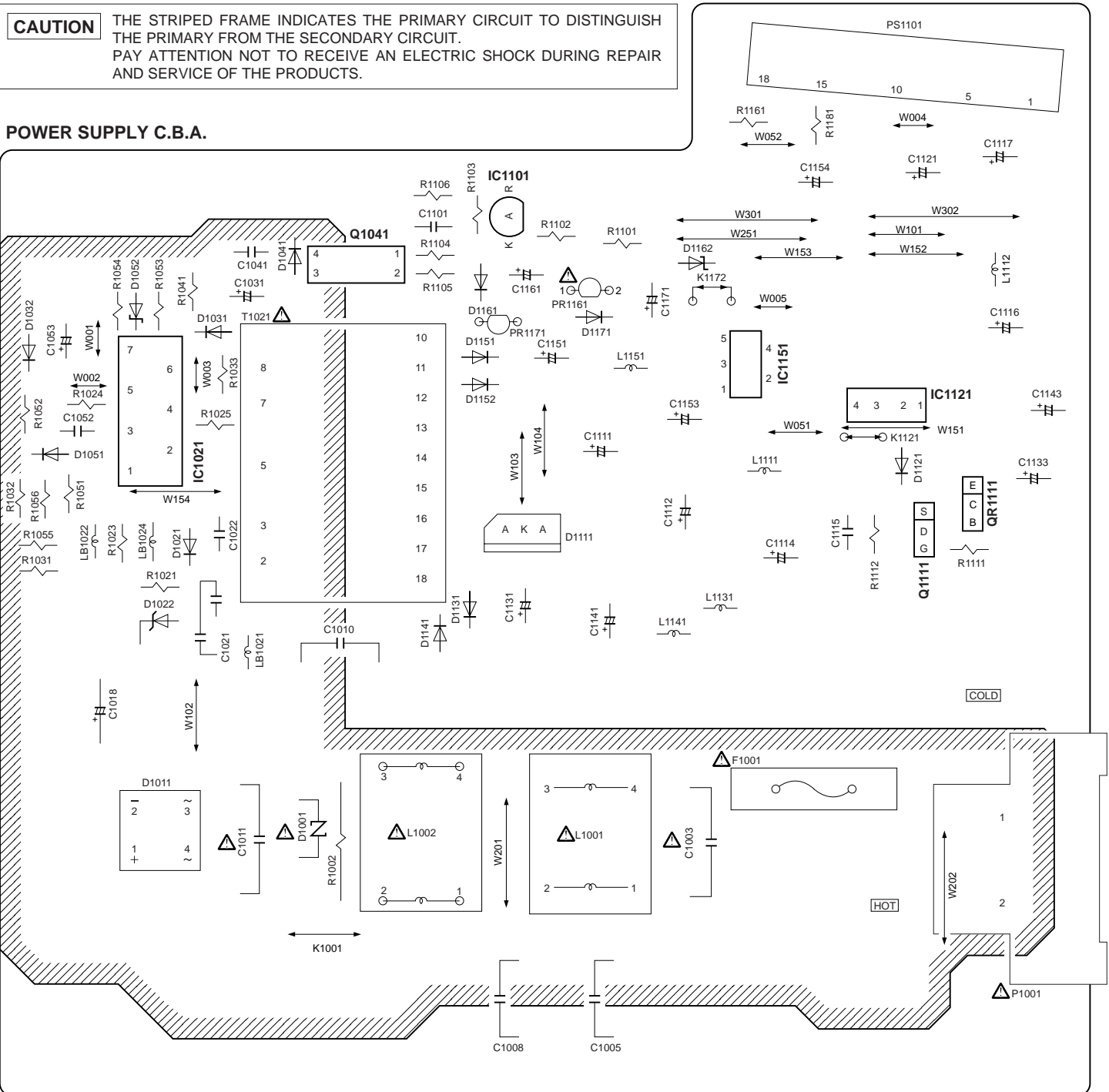
Refer to the schematic diagram for the value of resistors and capacitors.

# PC BOARD (Component side view) DV-303/DVF-5020

## MOTHER C.B.A.



# PC BOARD (Component side view) DVF-K5020





# PC BOARD (Component side view) DVF-K5020

Z

AA

AB

AC

AD

1

2

3

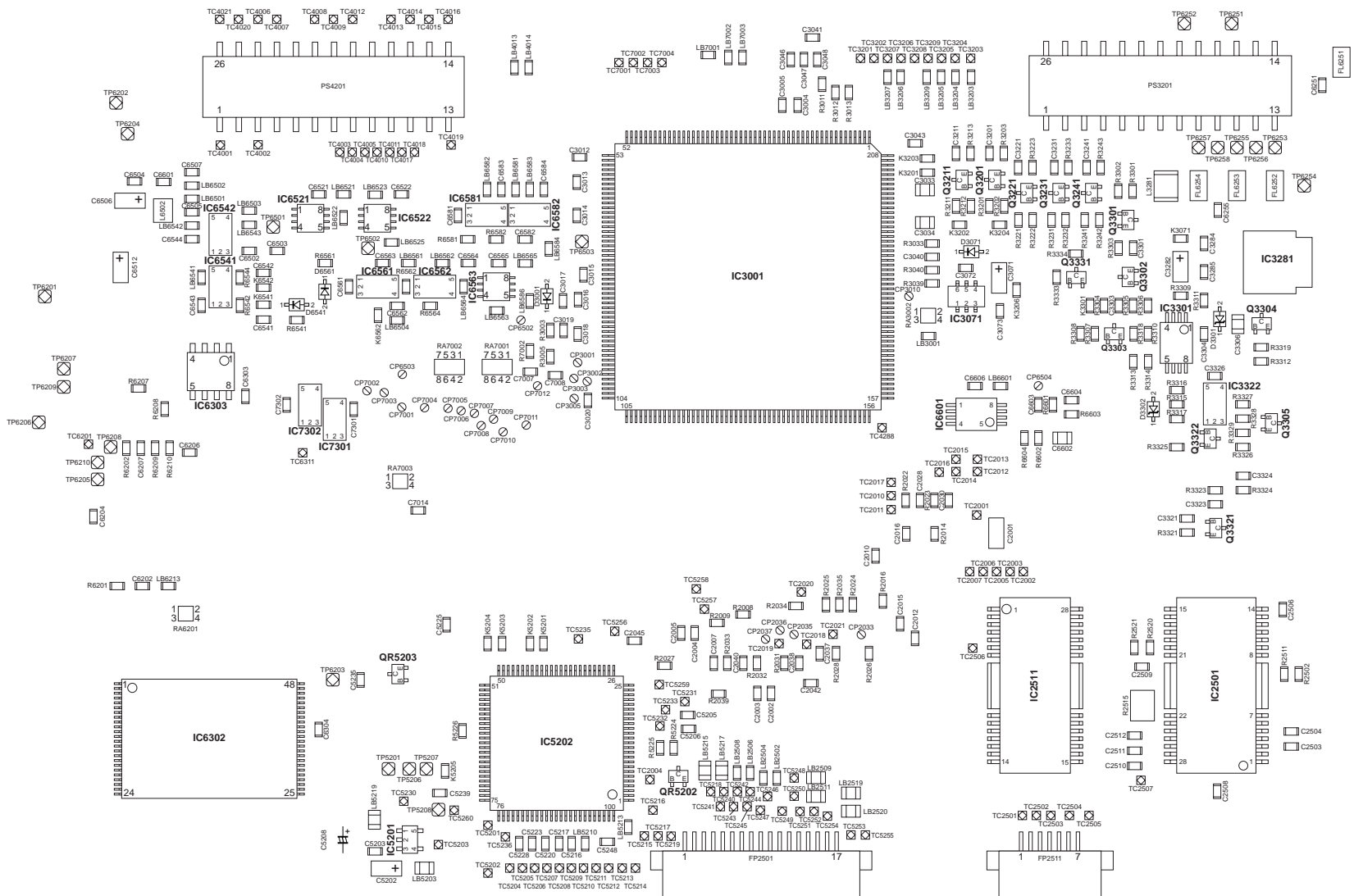
4

5

6

7

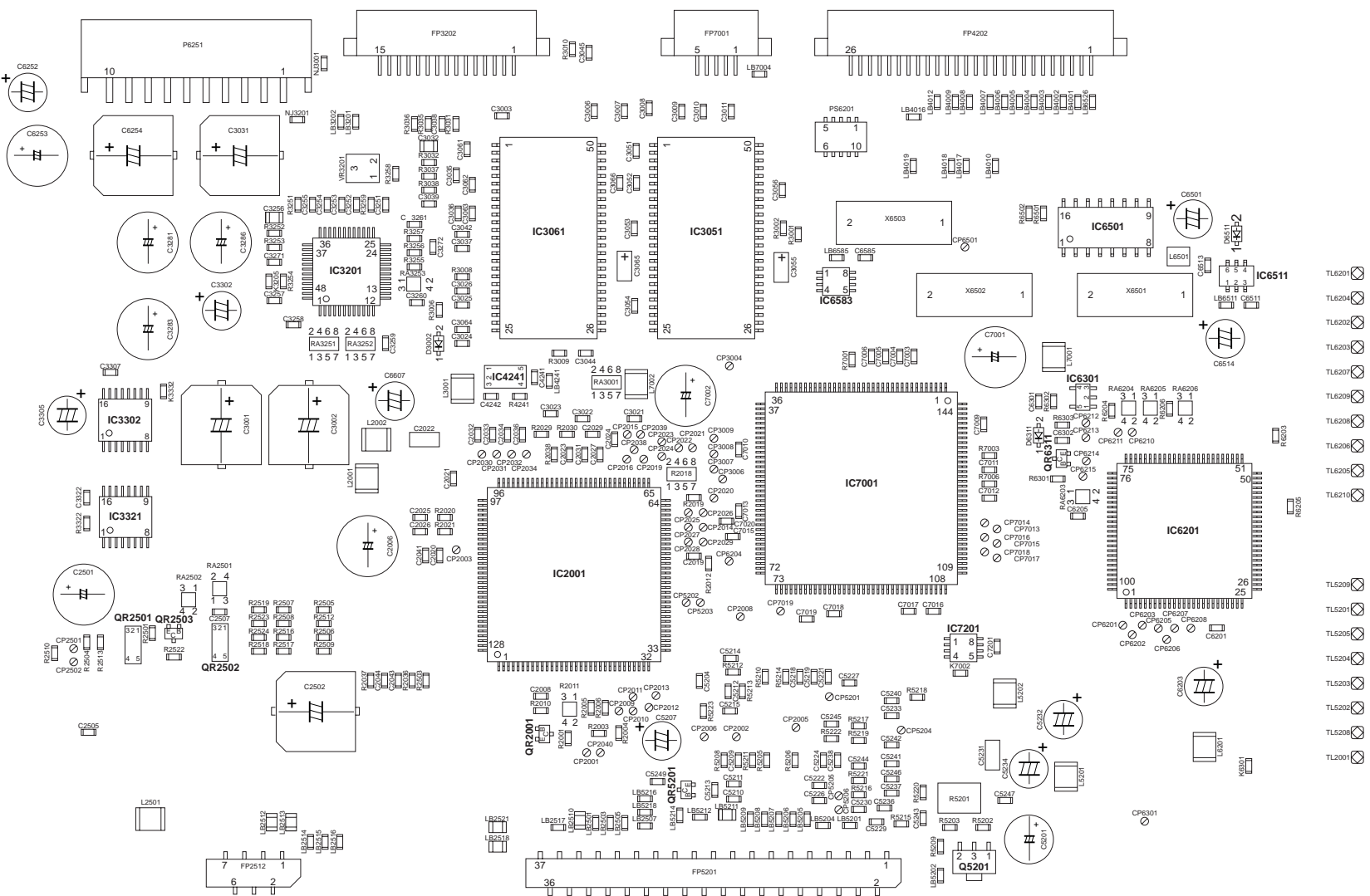
## MODULE C.B.A. (1/2)



Refer to the schematic diagram for the value of resistors and capacitors.

# PC BOARD (Foil side view) DVF-K5020

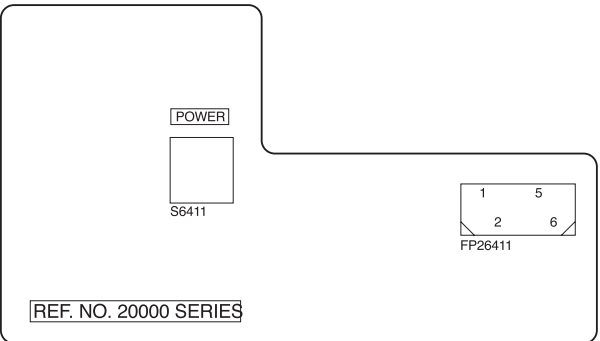
## MODULE C.B.A. (2/2)



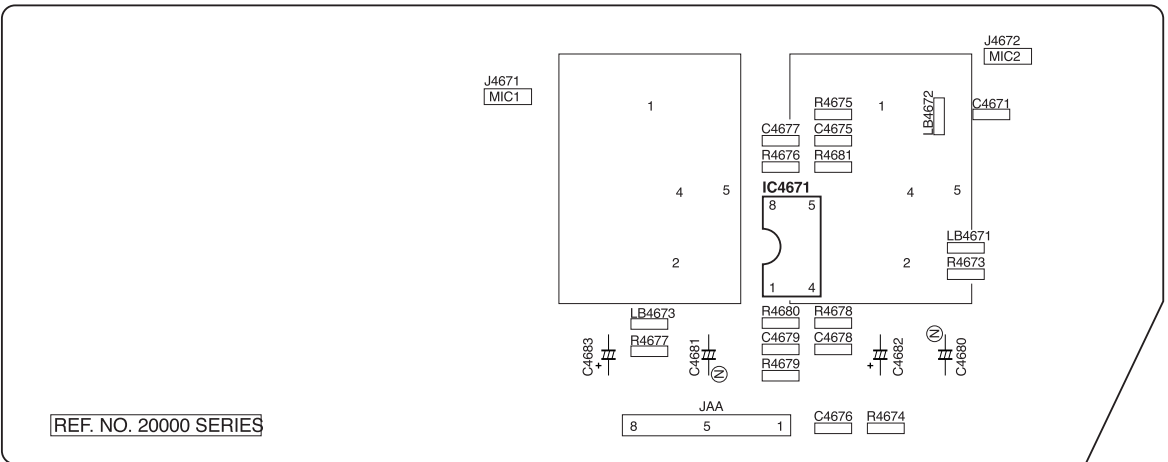
Refer to the schematic diagram for the value of resistors and capacitors.



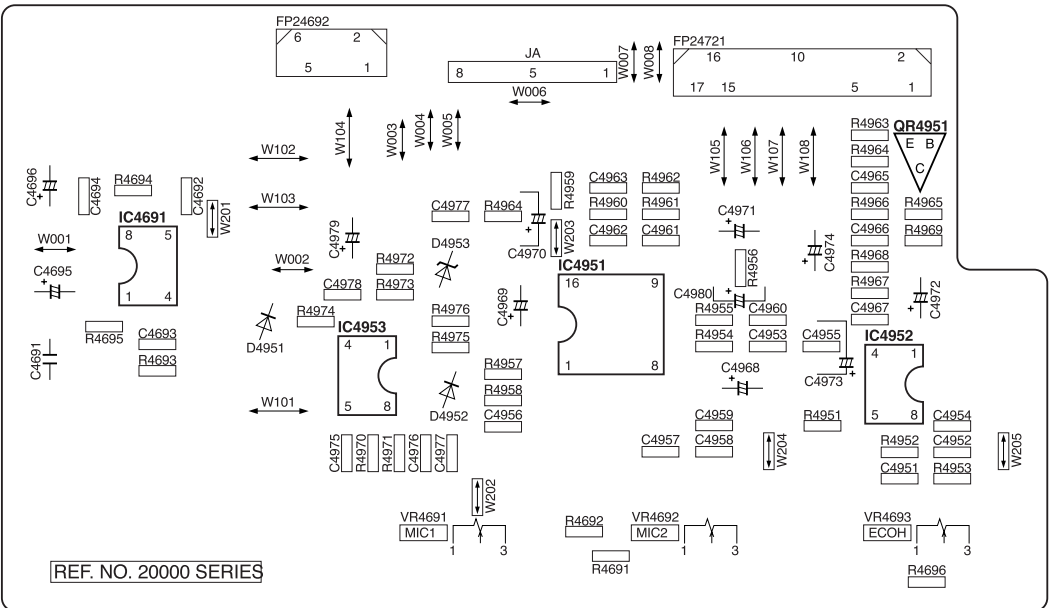
POWER SW C.B.A.



MIC JACK C.B.A.

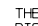


MIC VOLUME C.B.A.

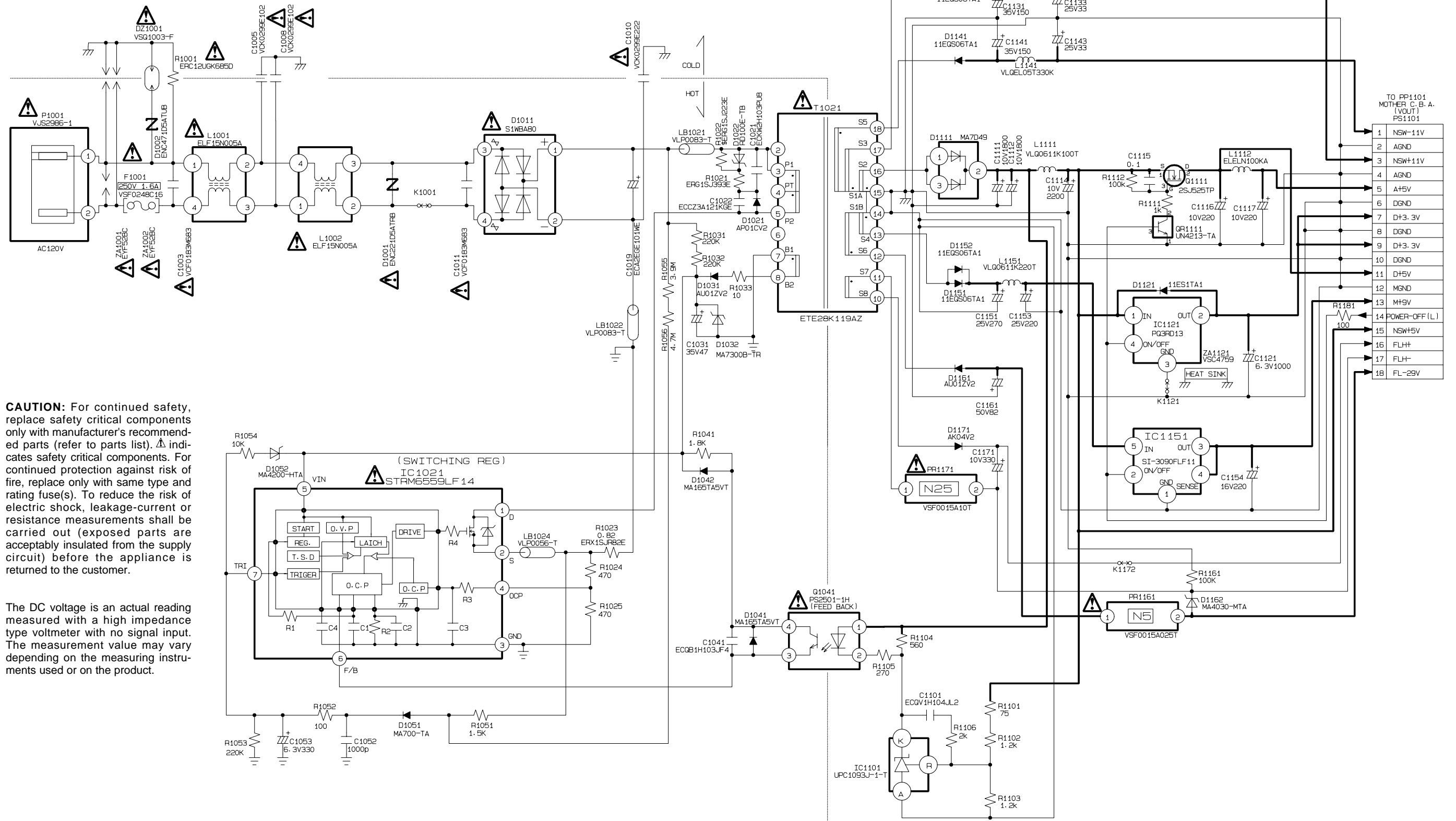


# Power supply

**CAUTION**

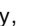
THE  MARK INDICATES THE PRIMARY CIRCUIT TO DISTINGUISH THE PRIMARY FROM THE SECONDARY CIRCUIT. PAY ATTENTION NOT TO RECEIVE AN ELECTRIC SHOCK DURING REPAIR AND SERVICE OF THE PRODUCTS.

IMPORTANT SAFETY NOTICE: COMPONENTS IDENTIFIED WITH THE MARK  HAVE THE SPECIAL CHARACTERISTICS FOR SAFETY. WHEN REPLACING ANY OF THESE COMPONENTS, USE ONLY THE SAME TYPE.



TO PP1101  
MOTHER C.B.A.  
(VOUT)  
PS1101

1	NSW-11V
2	AGND
3	NSW+11V
4	AGND
5	A+5V
6	DGND
7	D+3.3V
8	DGND
9	D+3.3V
10	DGND
11	D+5V
12	MGND
13	M+9V
14	POWER-OFF (L)
15	NSW+5V
16	FLH+
17	FLH-
18	FL-29V

**CAUTION:** For continued safety, replace safety critical components only with manufacturer's recommended parts (refer to parts list).  indicates safety critical components. For continued protection against risk of fire, replace only with same type and rating fuse(s). To reduce the risk of electric shock, leakage-current or resistance measurements shall be carried out (exposed parts are acceptably insulated from the supply circuit) before the appliance is returned to the customer.

The DC voltage is an actual reading measured with a high impedance type voltmeter with no signal input. The measurement value may vary depending on the measuring instruments used or on the product.

NOTE: DO NOT USE THE PART NUMBER SHOWN ON THIS DRAWING FOR ORDERING. THE CORRECT PART NUMBER IS SHOWN IN THE PARTS LIST, AND MAY BE SLIGHTLY DIFFERENT OR AMENDED SINCE THIS DRAWING WAS PREPARED.

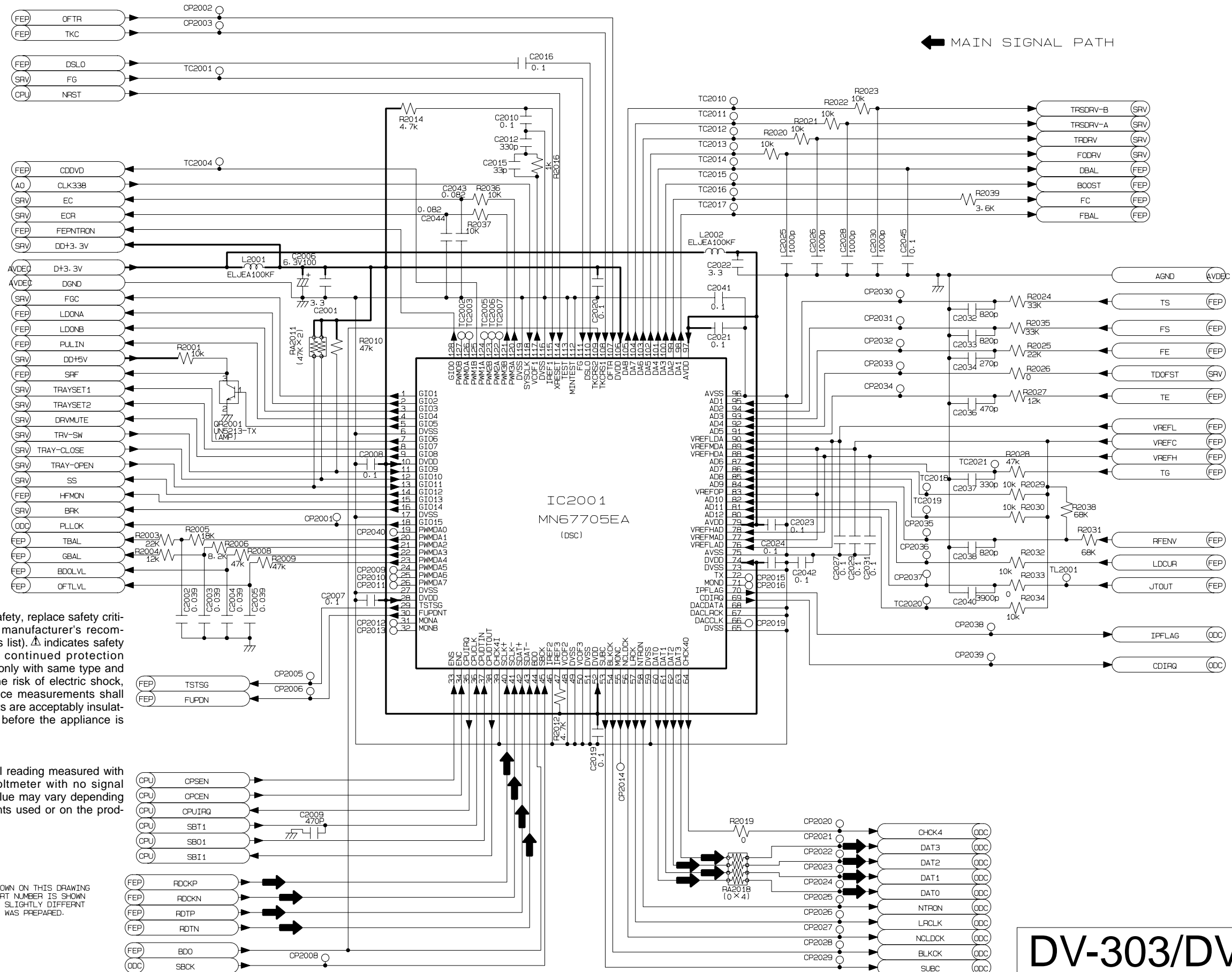
# DV-303/DVF-5020

Y22-8200-10

KENWOOD

ADSC/module (1/7)

ADSC SECTION : (1/7), SRV SECTION : (2/7), AVDEC SECTION : (3/7), AUDIO SECTION : (4/7)  
 FEP SECTION : (5/7), CPU SECTION : (6/7), ODC SECTION : (7/7)



**CAUTION:** For continued safety, replace safety critical components only with manufacturer's recommended parts (refer to parts list).  $\Delta$  indicates safety critical components. For continued protection against risk of fire, replace only with same type and rating fuse(s). To reduce the risk of electric shock, leakage-current or resistance measurements shall be carried out (exposed parts are acceptably insulated from the supply circuit) before the appliance is returned to the customer.

The DC voltage is an actual reading measured with a high impedance type voltmeter with no signal input. The measurement value may vary depending on the measuring instruments used or on the product.

NOTE: DO NOT USE THE PART NUMBER SHOWN ON THIS DRAWING FOR ORDERING. THE CORRECT PART NUMBER IS SHOWN IN THE PARTS LIST, AND MAY BE SLIGHTLY DIFFERENT OR AMENDED SINCE THIS DRAWING WAS PREPARED.

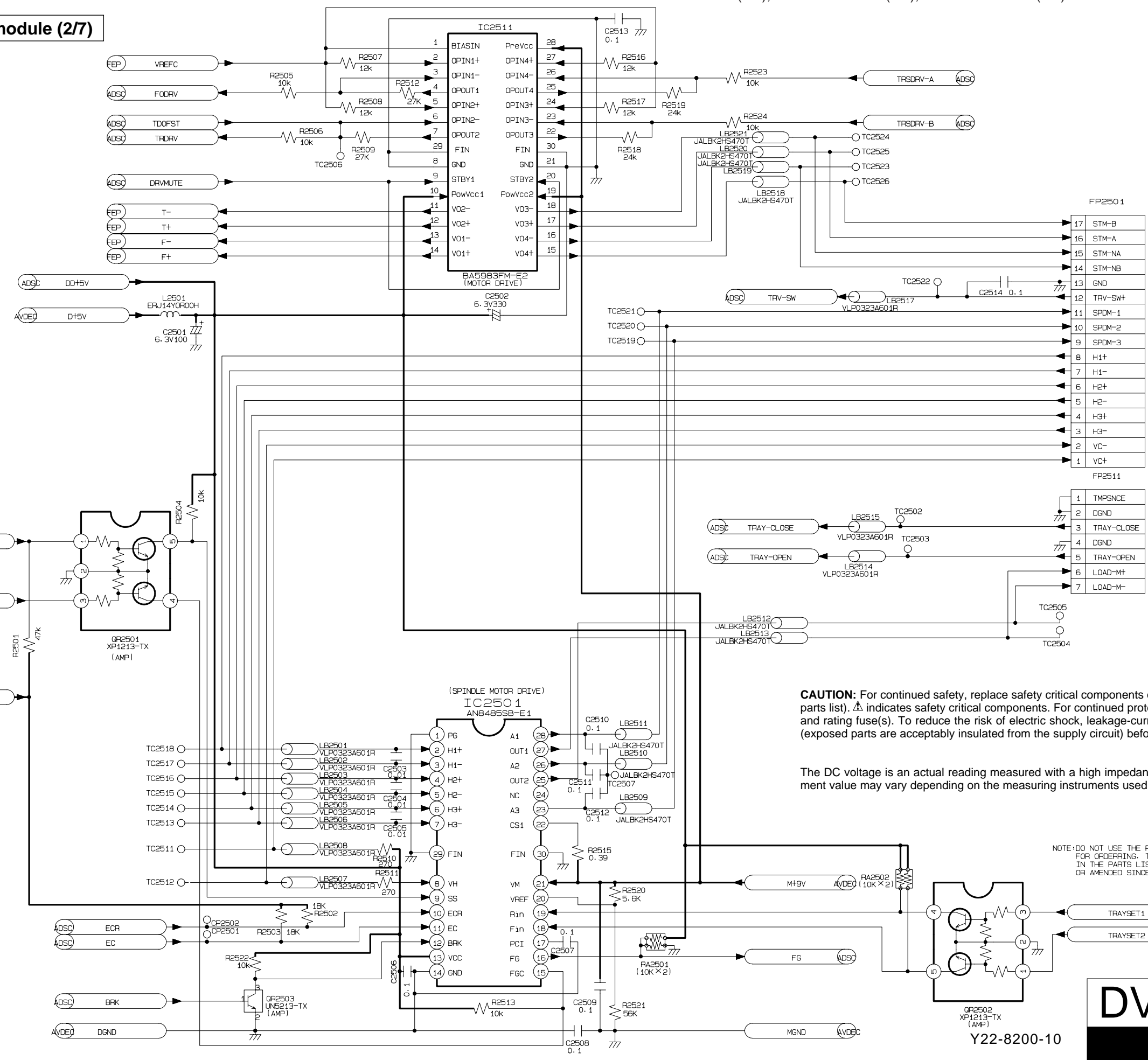
DV-303/DVF-5020

KENWOOD

Y22-8200-10



**SRV/module (2/7)**



FP2501

17	STM-B
16	STM-A
15	STM-NA
14	STM-NB
13	GND
12	TRV-SW+
11	SPDM-1
10	SPDM-2
9	SPDM-3
8	H1+
7	H1-
6	H2+
5	H2-
4	H3+
3	H3-
2	VC-
1	VC+

TO SPINDLE MOTOR UNIT

FP2511

1	TMPSNCE
2	DGND
3	TRAY-CLOSE
4	DGND
5	TRAY-OPEN
6	LOAD-M+
7	LOAD-M-

TO LOADING MOTOR UNIT

**CAUTION:** For continued safety, replace safety critical components only with manufacturer's recommended parts (refer to parts list).  $\Delta$  indicates safety critical components. For continued protection against risk of fire, replace only with same type and rating fuse(s). To reduce the risk of electric shock, leakage-current or resistance measurements shall be carried out (exposed parts are acceptably insulated from the supply circuit) before the appliance is returned to the customer.

The DC voltage is an actual reading measured with a high impedance type voltmeter with no signal input. The measurement value may vary depending on the measuring instruments used or on the product.

NOTE: DO NOT USE THE PART NUMBER SHOWN ON THIS DRAWING FOR ORDERING. THE CORRECT PART NUMBER IS SHOWN IN THE PARTS LIST, AND MAY BE SLIGHTLY DIFFERENT OR AMENDED SINCE THIS DRAWING WAS PREPARED.

**DV-303/DVF-5020**

**KENWOOD**

Y22-8200-10

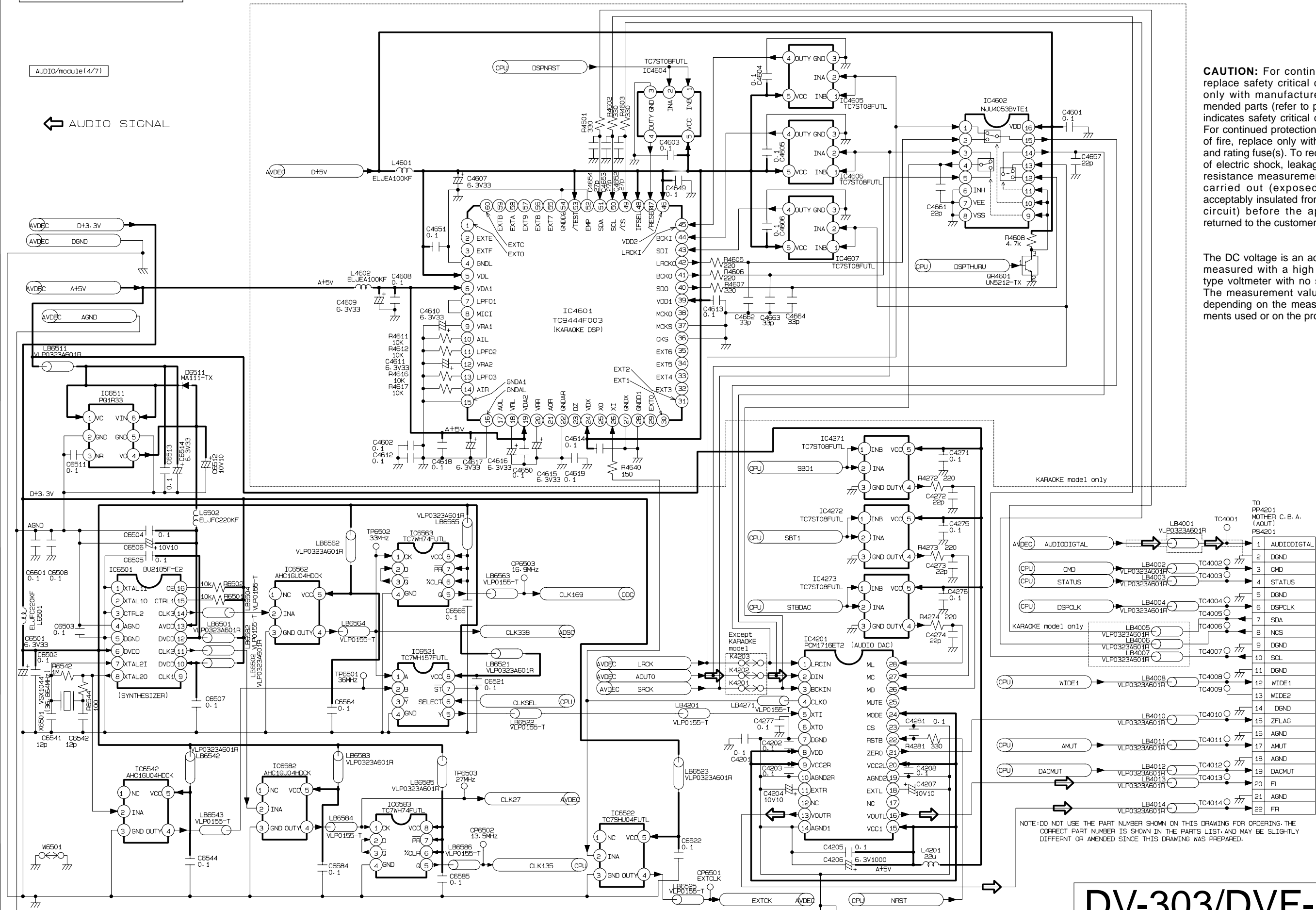
1  
2  
3  
4  
5  
6  
7





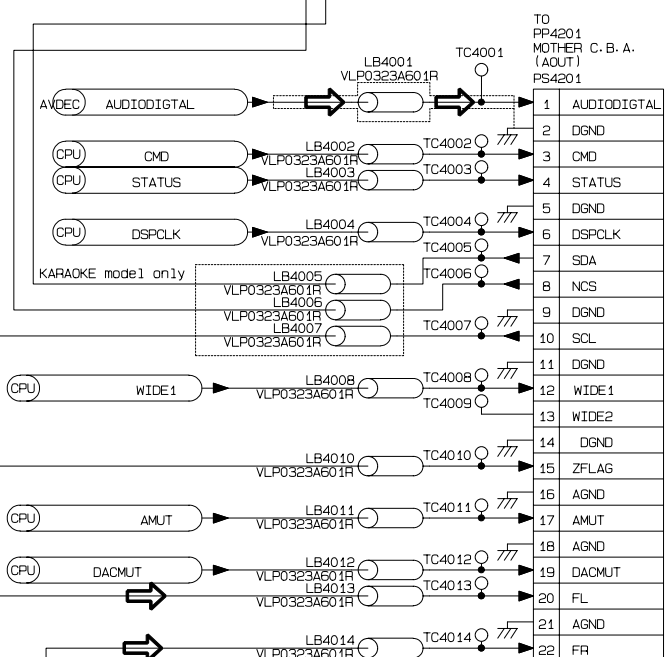
**AUDIO/module (4/7)**

ADSC SECTION : (1/7), SRV SECTION : (2/7), AVDEC SECTION : (3/7), AUDIO SECTION : (4/7)  
 FEP SECTION : (5/7), CPU SECTION : (6/7), ODC SECTION : (7/7)



**CAUTION:** For continued safety, replace safety critical components only with manufacturer's recommended parts (refer to parts list).  $\Delta$  indicates safety critical components. For continued protection against risk of fire, replace only with same type and rating fuse(s). To reduce the risk of electric shock, leakage-current or resistance measurements shall be carried out (exposed parts are acceptably insulated from the supply circuit) before the appliance is returned to the customer.

The DC voltage is an actual reading measured with a high impedance type voltmeter with no signal input. The measurement value may vary depending on the measuring instruments used or on the product.



NOTE: DO NOT USE THE PART NUMBER SHOWN ON THIS DRAWING FOR ORDERING. THE CORRECT PART NUMBER IS SHOWN IN THE PARTS LIST, AND MAY BE SLIGHTLY DIFFERENT OR AMENDED SINCE THIS DRAWING WAS PREPARED.

**DV-303/DVF-5020**

Y22-8200-10

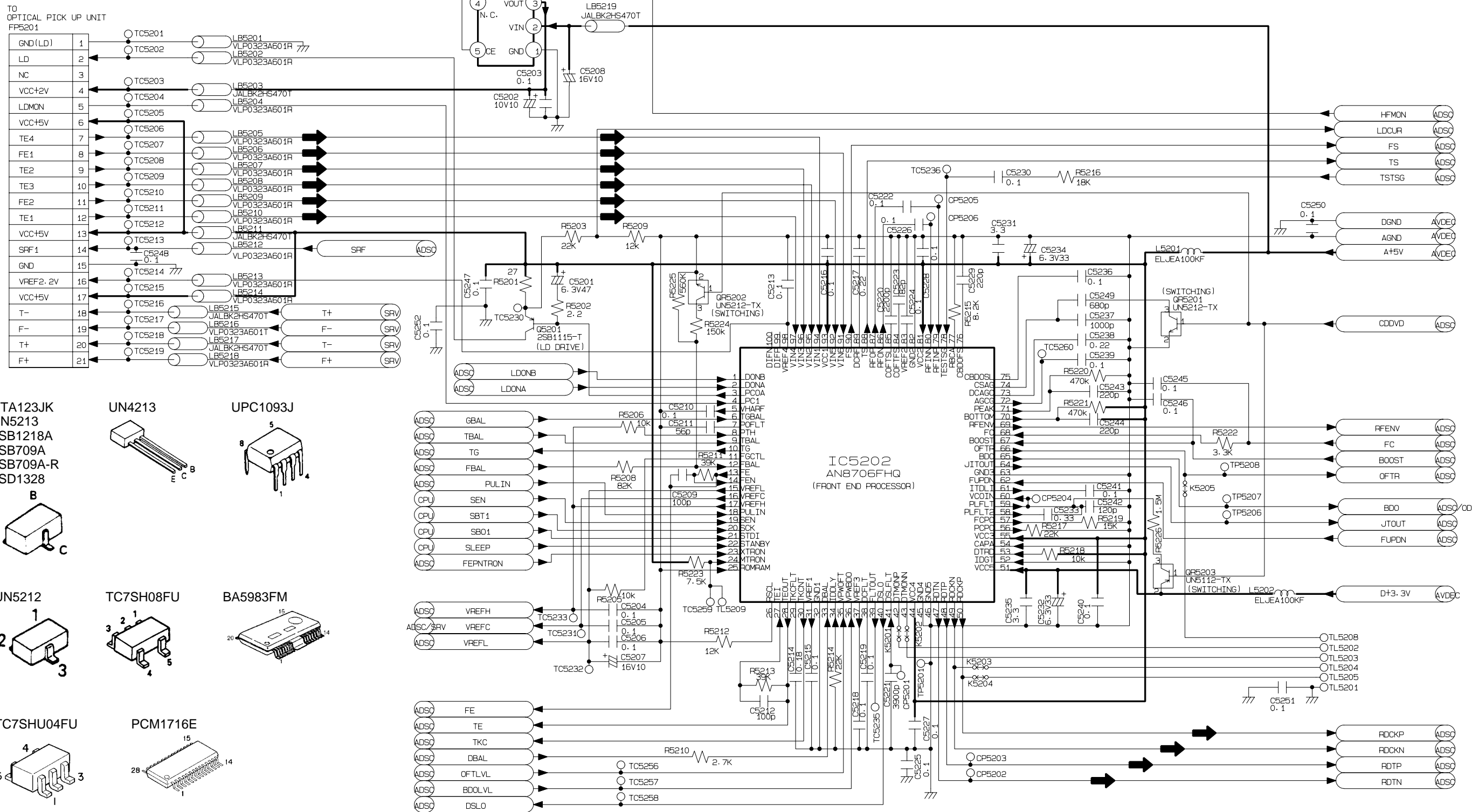
**KENWOOD**

ADSC SECTION : (1/7), SRV SECTION : (2/7), AVDEC SECTION : (3/7), AUDIO SECTION : (4/7)  
 FEP SECTION : (5/7), CPU SECTION : (6/7), ODC SECTION : (7/7)

**FEP/module (5/7)**

**CAUTION:** For continued safety, replace safety critical components only with manufacturer's recommended parts (refer to parts list).  $\Delta$  indicates safety critical components. For continued protection against risk of fire, replace only with same type and rating fuse(s). To reduce the risk of electric shock, leakage-current or resistance measurements shall be carried out (exposed parts are acceptably insulated from the supply circuit) before the appliance is returned to the customer.

← MAIN SIGNAL PATH



- DTA123JK
- UN5213
- UPC1093J
- 2SB1218A
- 2SB709A
- 2SB709A-R
- 2SD1328
- UN5212
- TC7SH08FU
- BA5983FM
- TC7SHU04FU
- PCM1716E

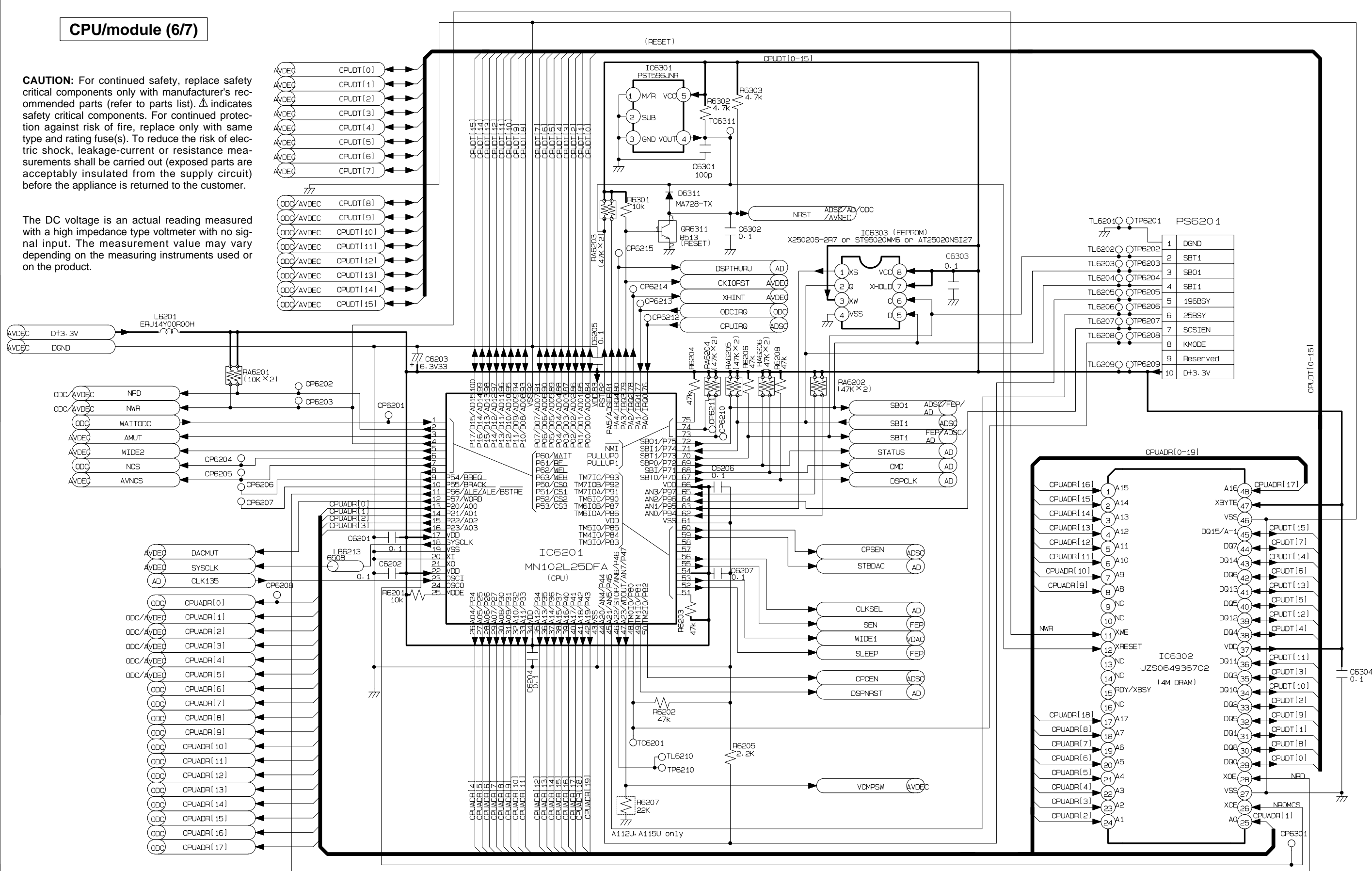
The DC voltage is an actual reading measured with a high impedance type voltmeter with no signal input. The measurement value may vary depending on the measuring instruments used or on the product.

NOTE: DO NOT USE THE PART NUMBER SHOWN ON THIS DRAWING FOR ORDERING. THE CORRECT PART NUMBER IS SHOWN IN THE PARTS LIST, AND MAY BE SLIGHTLY DIFFERENT OR AMENDED SINCE THIS DRAWING WAS PREPARED.

**CPU/module (6/7)**

**CAUTION:** For continued safety, replace safety critical components only with manufacturer's recommended parts (refer to parts list).  $\Delta$  indicates safety critical components. For continued protection against risk of fire, replace only with same type and rating fuse(s). To reduce the risk of electric shock, leakage-current or resistance measurements shall be carried out (exposed parts are acceptably insulated from the supply circuit) before the appliance is returned to the customer.

The DC voltage is an actual reading measured with a high impedance type voltmeter with no signal input. The measurement value may vary depending on the measuring instruments used or on the product.



NOTE: DO NOT USE THE PART NUMBER SHOWN ON THIS DRAWING FOR ORDERING. THE CORRECT PART NUMBER IS SHOWN IN THE PARTS LIST, AND MAY BE SLIGHTLY DIFFERENT OR AMENDED SINCE THIS DRAWING WAS PREPARED.

**DV-303/DVF-5020**

Y22-8200-10

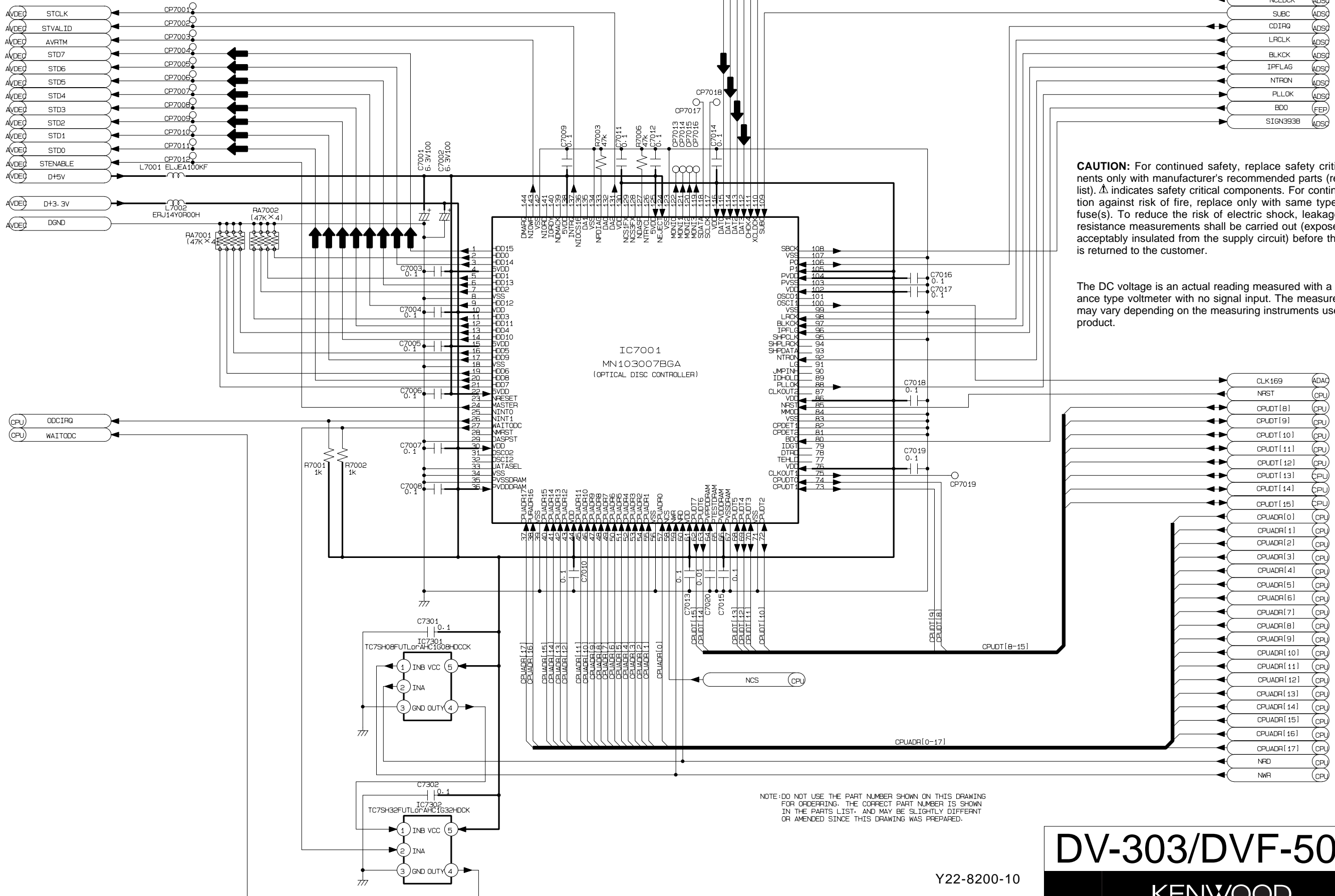
**KENWOOD**



ADSC SECTION : (1/7), SRV SECTION : (2/7), AVDEC SECTION : (3/7), AUDIO SECTION : (4/7)  
 FEP SECTION : (5/7), CPU SECTION : (6/7), ODC SECTION : (7/7)

**ODC/module (7/7)**

← MAIN SIGNAL PATH



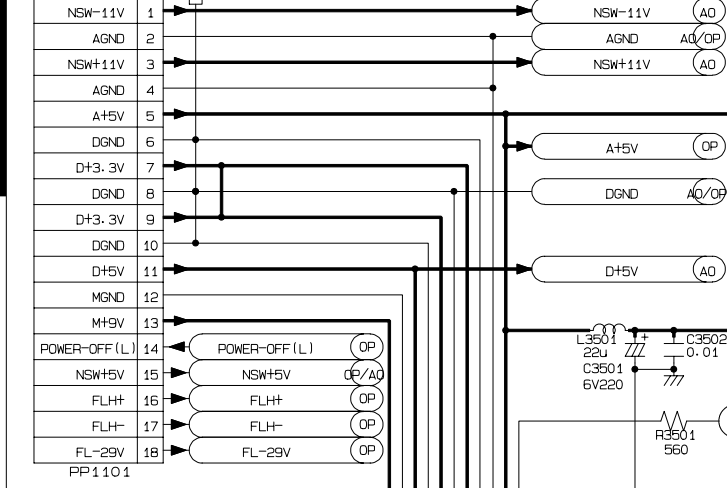
**CAUTION:** For continued safety, replace safety critical components only with manufacturer's recommended parts (refer to parts list).  $\Delta$  indicates safety critical components. For continued protection against risk of fire, replace only with same type and rating fuse(s). To reduce the risk of electric shock, leakage-current or resistance measurements shall be carried out (exposed parts are acceptably insulated from the supply circuit) before the appliance is returned to the customer.

The DC voltage is an actual reading measured with a high impedance type voltmeter with no signal input. The measurement value may vary depending on the measuring instruments used or on the product.

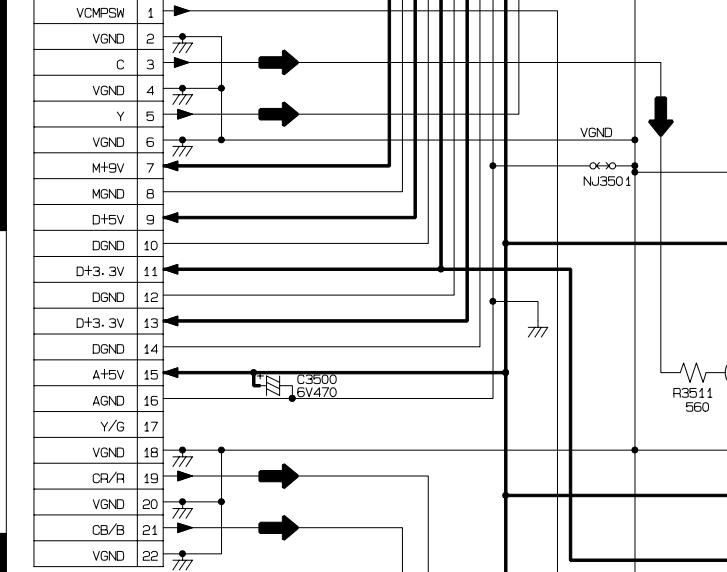
NOTE: DO NOT USE THE PART NUMBER SHOWN ON THIS DRAWING FOR ORDERING. THE CORRECT PART NUMBER IS SHOWN IN THE PARTS LIST, AND MAY BE SLIGHTLY DIFFERENT OR AMENDED SINCE THIS DRAWING WAS PREPARED.

**VIDEO OUT/mother (1/3)**

TO PS1101  
POWER SUPPLY C. B. A.

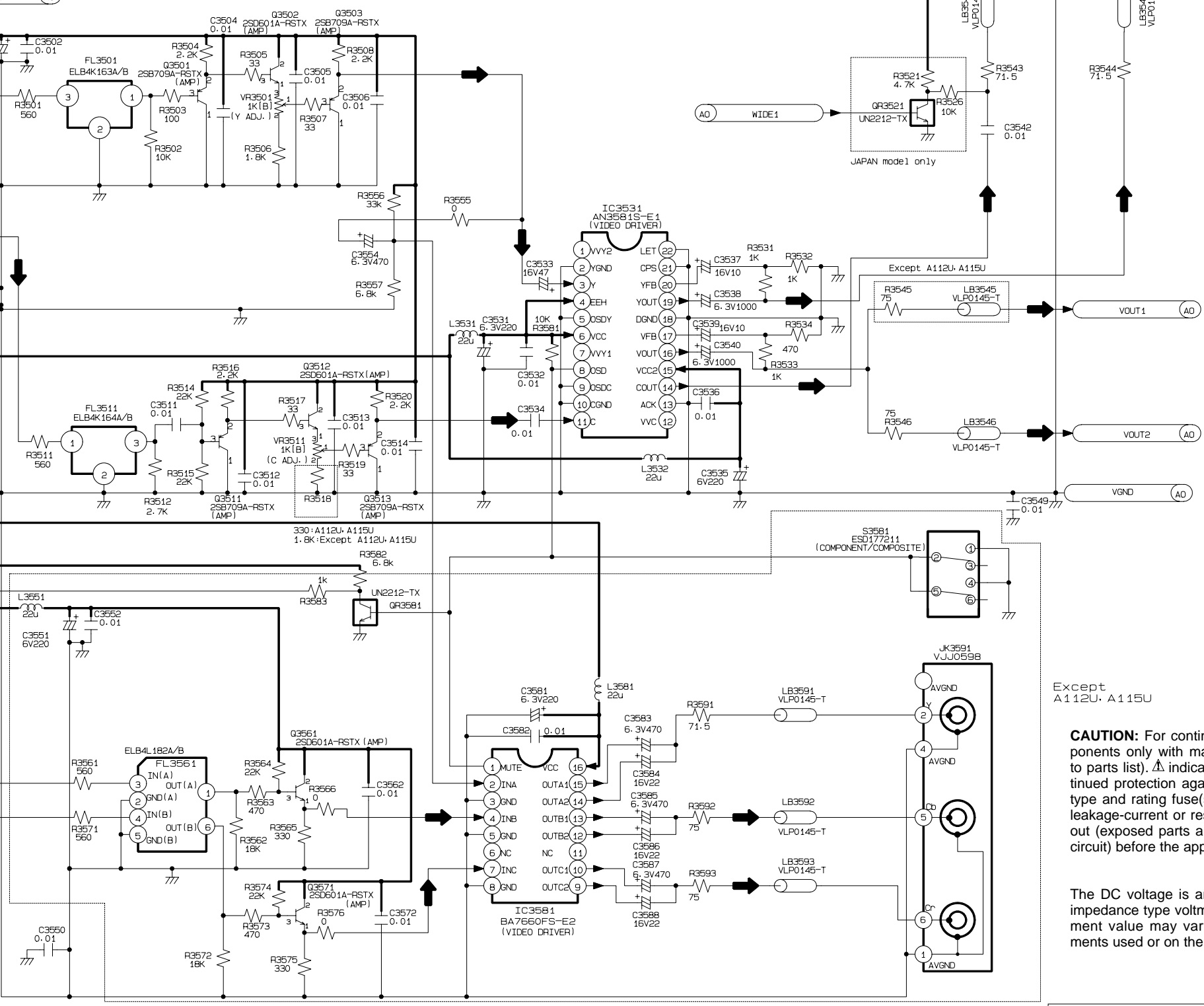


TO PS3201  
MODULE C. B. A. (AVDEC)  
PP3201



Ref. No. 23500-23699  
VIDEO-out/mother (1/3)

← VIDEO SIGNAL



NOTE: DO NOT USE THE PART NUMBER SHOWN ON THIS DRAWING FOR ORDERING. THE CORRECT PART NUMBER IS SHOWN IN THE PARTS LIST, AND MAY BE SLIGHTLY DIFFERENT OR AMENDED SINCE THIS DRAWING WAS PREPARED.

Except A112U, A115U

**CAUTION:** For continued safety, replace safety critical components only with manufacturer's recommended parts (refer to parts list).  $\Delta$  indicates safety critical components. For continued protection against risk of fire, replace only with same type and rating fuse(s). To reduce the risk of electric shock, leakage-current or resistance measurements shall be carried out (exposed parts are acceptably insulated from the supply circuit) before the appliance is returned to the customer.

The DC voltage is an actual reading measured with a high impedance type voltmeter with no signal input. The measurement value may vary depending on the measuring instruments used or on the product.

**DV-303/DVF-5020**

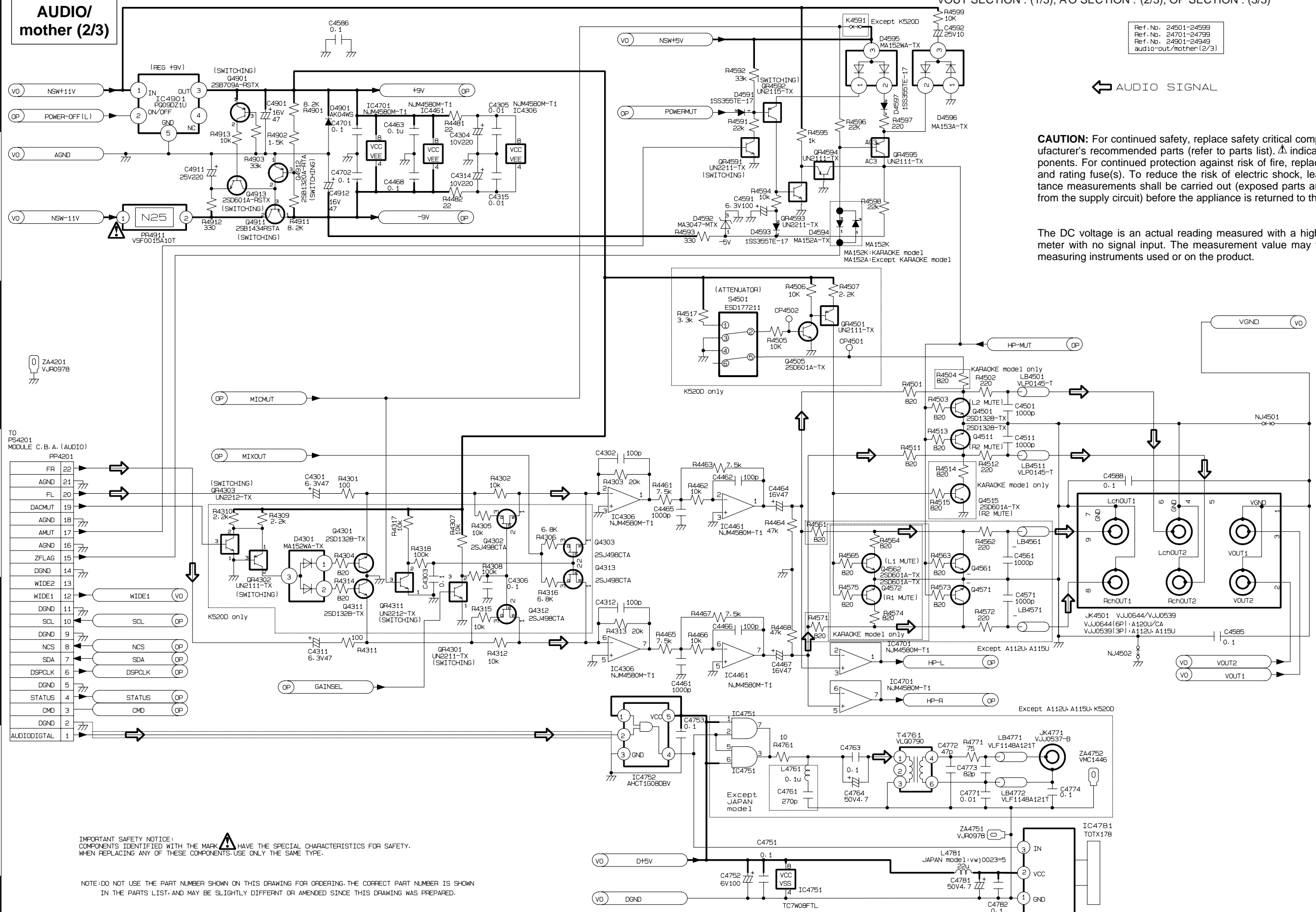
Y22-8200-10

**KENWOOD**

AUDIO/  
mother (2/3)

VOUT SECTION : (1/3), AO SECTION : (2/3), OP SECTION : (3/3)

Ref. No. 24501-24599  
Ref. No. 24701-24799  
Ref. No. 24901-24949  
audio-out/mother (2/3)



← AUDIO SIGNAL

**CAUTION:** For continued safety, replace safety critical components only with manufacturer's recommended parts (refer to parts list). ⚠ indicates safety critical components. For continued protection against risk of fire, replace only with same type and rating fuse(s). To reduce the risk of electric shock, leakage-current or resistance measurements shall be carried out (exposed parts are acceptably insulated from the supply circuit) before the appliance is returned to the customer.

The DC voltage is an actual reading measured with a high impedance type voltmeter with no signal input. The measurement value may vary depending on the measuring instruments used or on the product.

TO PS4201  
MODULE C.B.A. (AUDIO)  
PP4201

FR	22	→
AGND	21	↔
FL	20	→
DIACMUT	19	↔
AGND	18	↔
AMUT	17	↔
AGND	16	↔
ZFLAG	15	↔
DGND	14	↔
WIDE2	13	↔
WIDE1	12	↔
DGND	11	↔
SCL	10	↔
DGND	9	↔
NCS	8	↔
SDA	7	↔
DSPCLK	6	↔
DGND	5	↔
STATUS	4	↔
CMD	3	↔
DGND	2	↔
AUDIODIGITAL	1	↔

**IMPORTANT SAFETY NOTICE:** ⚠ COMPONENTS IDENTIFIED WITH THE MARK HAVE THE SPECIAL CHARACTERISTICS FOR SAFETY. WHEN REPLACING ANY OF THESE COMPONENTS, USE ONLY THE SAME TYPE.

NOTE: DO NOT USE THE PART NUMBER SHOWN ON THIS DRAWING FOR ORDERING. THE CORRECT PART NUMBER IS SHOWN IN THE PARTS LIST, AND MAY BE SLIGHTLY DIFFERENT OR AMENDED SINCE THIS DRAWING WAS PREPARED.

# DV-303/DVF-5020

Y22-8200-10


## KENWOOD



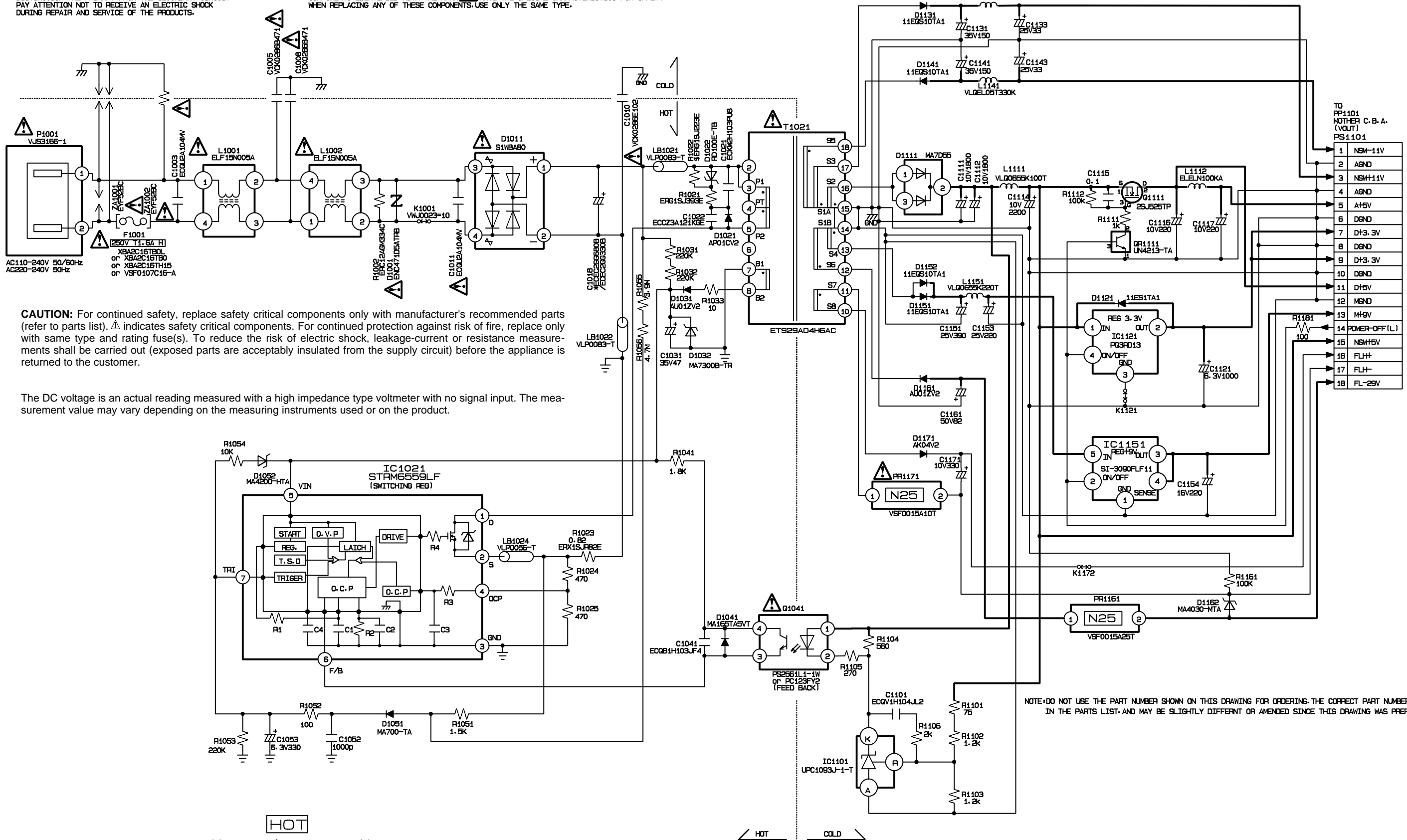


# Power supply

**CAUTION**

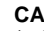
THE  MARK INDICATES THE PRIMARY CIRCUIT TO DISTINGUISH THE PRIMARY FROM THE SECONDARY CIRCUIT. PAY ATTENTION NOT TO RECEIVE AN ELECTRIC SHOCK DURING REPAIR AND SERVICE OF THE PRODUCTS.

IMPORTANT SAFETY NOTICE: COMPONENTS IDENTIFIED WITH THE MARK  HAVE THE SPECIAL CHARACTERISTICS FOR SAFETY. WHEN REPLACING ANY OF THESE COMPONENTS, USE ONLY THE SAME TYPE.



TO PP1101 MOTHER C. B. A. (VOUT) PS1101

1	NSW-11V
2	AGND
3	NSW+11V
4	AGND
5	AH5V
6	DGND
7	D+3.3V
8	DGND
9	D-3.3V
10	DGND
11	DH5V
12	MGND
13	MH5V
14	POWER-OFF (L)
15	NSW+5V
16	FLH+
17	FLH-
18	FL-25V

**CAUTION:** For continued safety, replace safety critical components only with manufacturer's recommended parts (refer to parts list).  indicates safety critical components. For continued protection against risk of fire, replace only with same type and rating fuse(s). To reduce the risk of electric shock, leakage-current or resistance measurements shall be carried out (exposed parts are acceptably insulated from the supply circuit) before the appliance is returned to the customer.

The DC voltage is an actual reading measured with a high impedance type voltmeter with no signal input. The measurement value may vary depending on the measuring instruments used or on the product.

NOTE: DO NOT USE THE PART NUMBER SHOWN ON THIS DRAWING FOR ORDERING. THE CORRECT PART NUMBER IS SHOWN IN THE PARTS LIST, AND MAY BE SLIGHTLY DIFFERENT OR AMENDED SINCE THIS DRAWING WAS PREPARED.

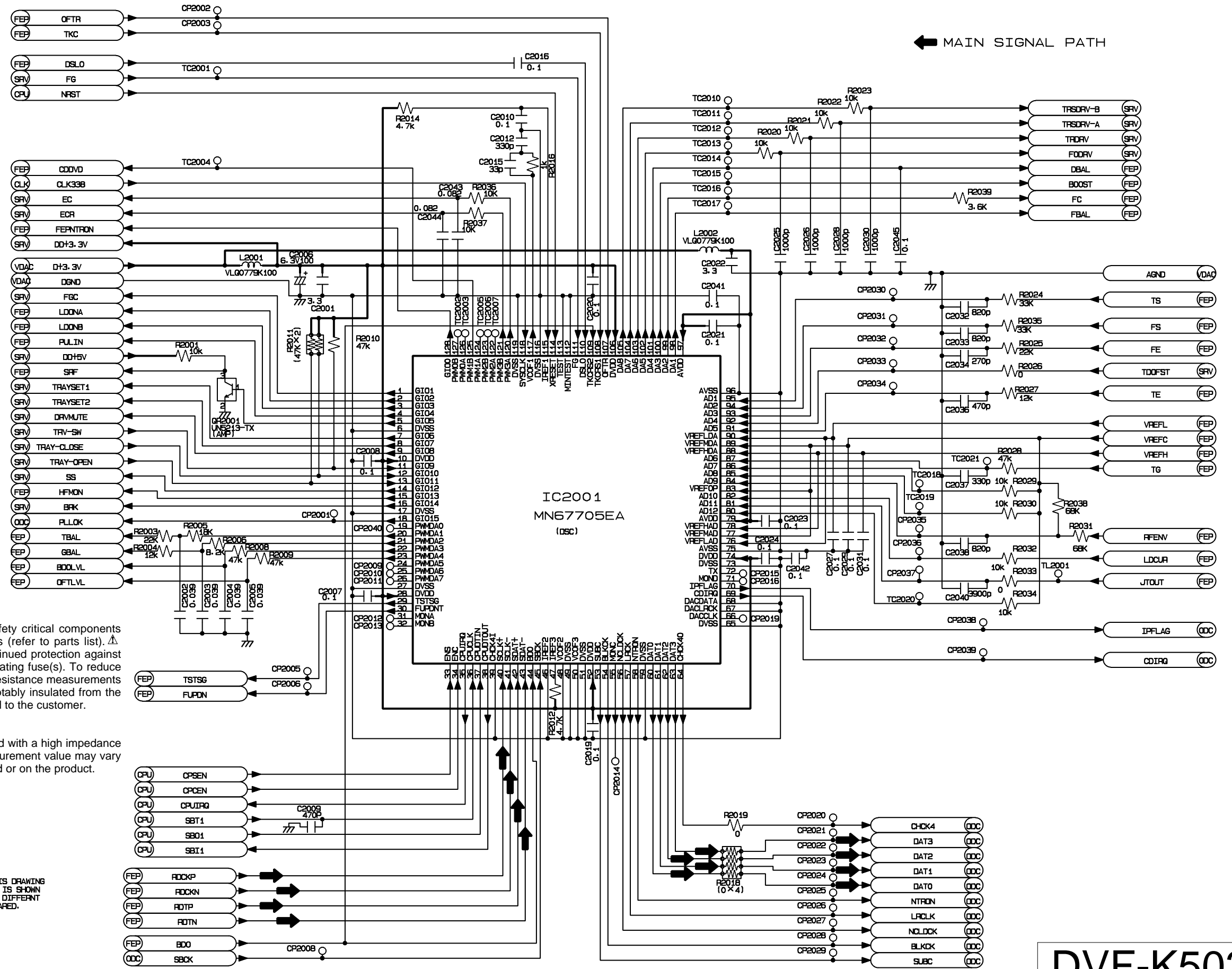
**HOT**  
 <<WARNING! Live Mains>>

**HOT**      **COLD**



# ADSC/module (1/8)

ADSC+ TO ADSC SECTION  
 AVDEC+ TO AV DECODER SECTION  
 CLK+ TO CLOCK SECTION  
 CPU+ TO CPU SECTION  
 FEP+ TO FRONT END PROCESSOR SECTION  
 ODC+ TO OPTICAL DISC CONTROLLER SECTION  
 SRV+ TO SERVO SECTION  
 VDACC+ TO VIDEO D/A CONVERTER SECTION



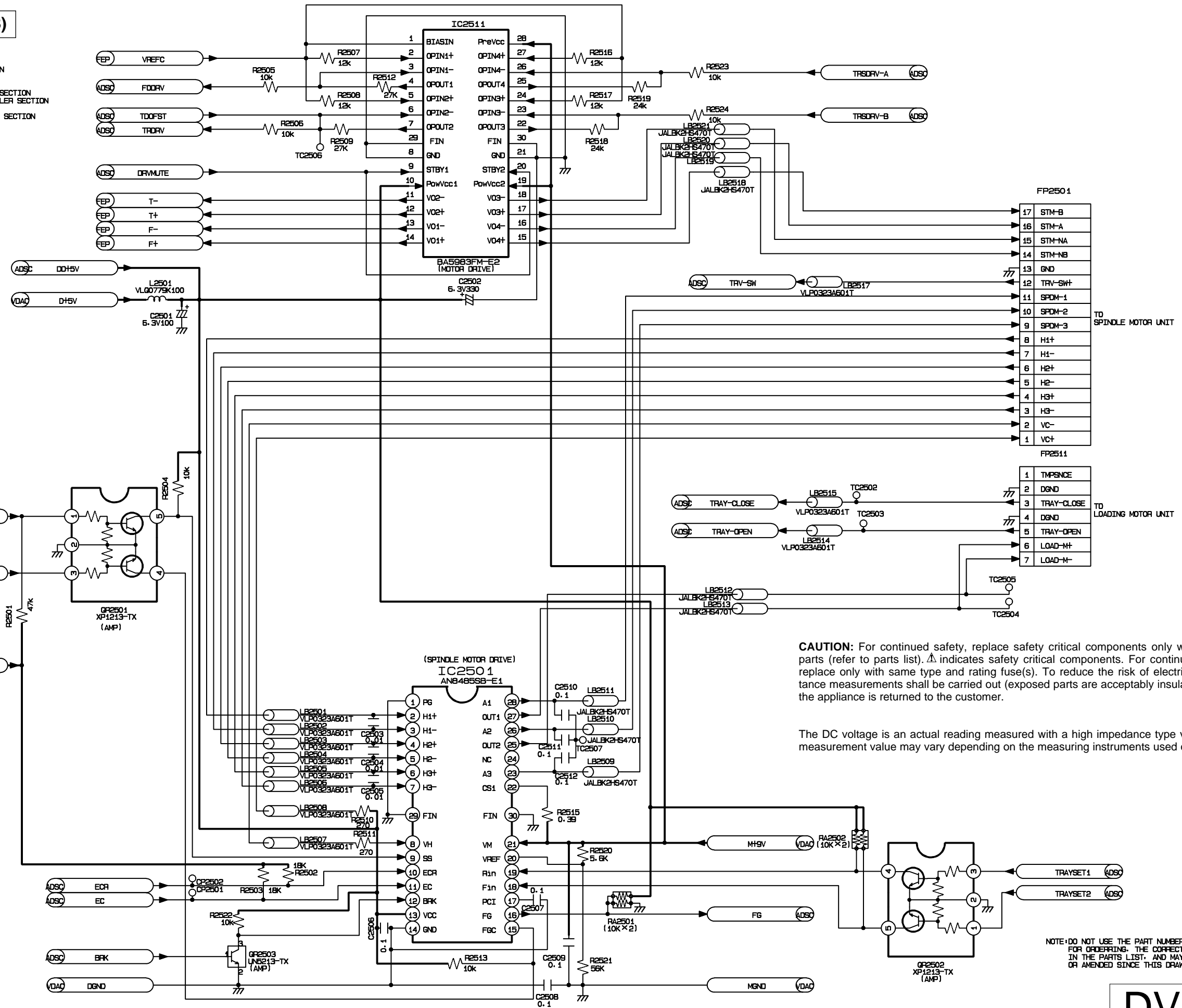
**CAUTION:** For continued safety, replace safety critical components only with manufacturer's recommended parts (refer to parts list).  $\Delta$  indicates safety critical components. For continued protection against risk of fire, replace only with same type and rating fuse(s). To reduce the risk of electric shock, leakage-current or resistance measurements shall be carried out (exposed parts are acceptably insulated from the supply circuit) before the appliance is returned to the customer.

The DC voltage is an actual reading measured with a high impedance type voltmeter with no signal input. The measurement value may vary depending on the measuring instruments used or on the product.

NOTE: DO NOT USE THE PART NUMBER SHOWN ON THIS DRAWING FOR ORDERING. THE CORRECT PART NUMBER IS SHOWN IN THE PARTS LIST. AND MAY BE SLIGHTLY DIFFERENT OR AMENDED SINCE THIS DRAWING WAS PREPARED.

SRV/module (2/8)

ADSC: TO ADSC SECTION  
 AVDEC: TO AV DECODER SECTION  
 CLK: TO CLOCK SECTION  
 CPU: TO CPU SECTION  
 FEP: TO FRONT END PROCESSOR SECTION  
 ODC: TO OPTICAL DISC CONTROLLER SECTION  
 SRV: TO SERVO SECTION  
 VDAC: TO VIDEO D/A CONVERTER SECTION



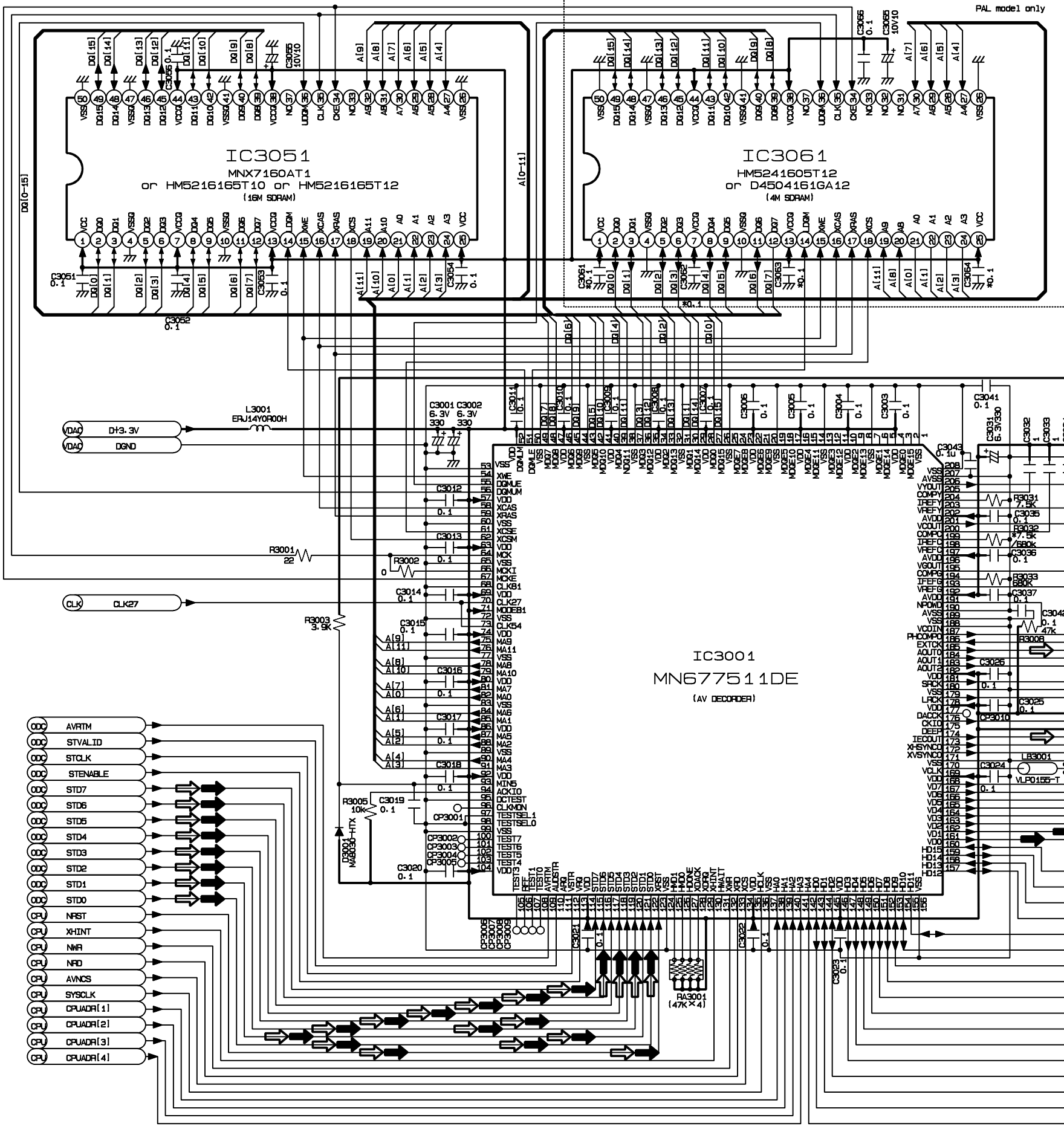
**CAUTION:** For continued safety, replace safety critical components only with manufacturer's recommended parts (refer to parts list).  $\Delta$  indicates safety critical components. For continued protection against risk of fire, replace only with same type and rating fuse(s). To reduce the risk of electric shock, leakage-current or resistance measurements shall be carried out (exposed parts are acceptably insulated from the supply circuit) before the appliance is returned to the customer.

The DC voltage is an actual reading measured with a high impedance type voltmeter with no signal input. The measurement value may vary depending on the measuring instruments used or on the product.

NOTE: DO NOT USE THE PART NUMBER SHOWN ON THIS DRAWING FOR ORDERING. THE CORRECT PART NUMBER IS SHOWN IN THE PARTS LIST, AND MAY BE SLIGHTLY DIFFERENT OR AMENDED SINCE THIS DRAWING WAS PREPARED.

DVF-K5020

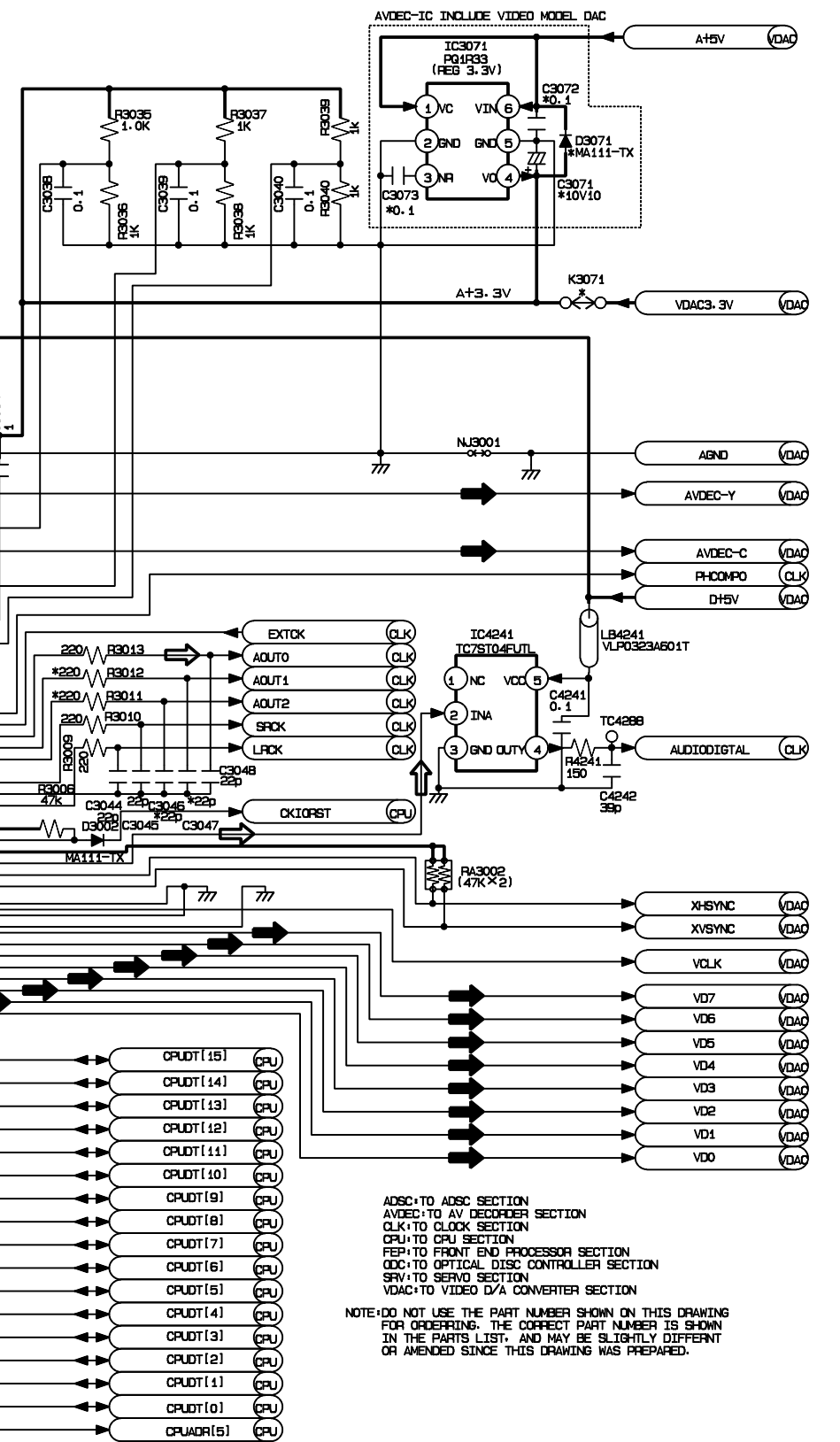
KENWOOD



**AVDEC/module (3/8)**

VIDEC-DAC	R3032	K3071	AUDIO	C3046 R3011 C3047 R3012
AVDEC-IC INCLUDE	7.5K	X	AUDIO 5.1ch	X
VIDEC-ENCODER	680K	O	AUDIO 2ch	O

← VIDEO SIGNAL      ← AUDIO SIGNAL



**CAUTION:** For continued safety, replace safety critical components only with manufacturer's recommended parts (refer to parts list).  $\Delta$  indicates safety critical components. For continued protection against risk of fire, replace only with same type and rating fuse(s). To reduce the risk of electric shock, leakage-current or resistance measurements shall be carried out (exposed parts are acceptably insulated from the supply circuit) before the appliance is returned to the customer.

The DC voltage is an actual reading measured with a high impedance type voltmeter with no signal input. The measurement value may vary depending on the measuring instruments used or on the product.

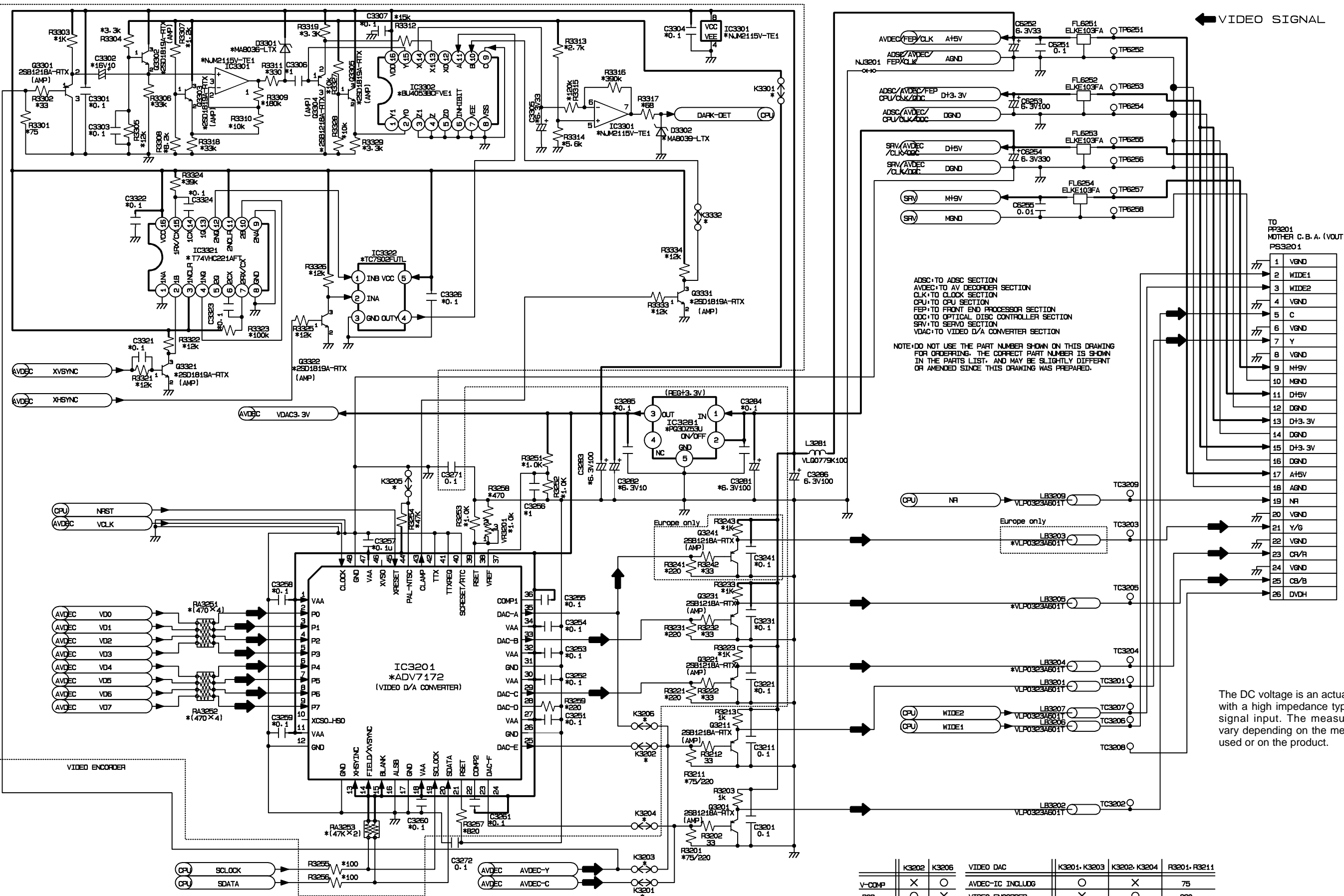
**DVF-K5020**

Y22-8200-10

**KENWOOD**



VDAC/module (4/8)



ADSC: TO ADSC SECTION  
 AVDEC: TO AV DECODER SECTION  
 CLK: TO CLOCK SECTION  
 CPU: TO CPU SECTION  
 FEP: TO FRONT END PROCESSOR SECTION  
 ODC: TO OPTICAL DISC CONTROLLER SECTION  
 SRV: TO SERVO SECTION  
 VDAC: TO VIDEO D/A CONVERTER SECTION

NOTE: DO NOT USE THE PART NUMBER SHOWN ON THIS DRAWING FOR ORDERING. THE CORRECT PART NUMBER IS SHOWN IN THE PARTS LIST, AND MAY BE SLIGHTLY DIFFERENT OR AMENDED SINCE THIS DRAWING WAS PREPARED.

VIDEO SIGNAL

TO PF3201 MOTHER C.B.A. (VOUT) PS3201

- 1 VGN
- 2 WIDE1
- 3 WIDE2
- 4 VGN
- 5 C
- 6 VGN
- 7 Y
- 8 VGN
- 9 MH5V
- 10 MGN
- 11 DH5V
- 12 DGN
- 13 DH3.3V
- 14 DGN
- 15 DH3.3V
- 16 DGN
- 17 AH5V
- 18 AGND
- 19 NR
- 20 VGN
- 21 Y/G
- 22 VGN
- 23 CR/R
- 24 VGN
- 25 CB/B
- 26 DVH

The DC voltage is an actual reading measured with a high impedance type voltmeter with no signal input. The measurement value may vary depending on the measuring instruments used or on the product.

	K3202	K3206	VIDEO DAC	K3201, K3203	K3202, K3204	R3201, R3211
V-COMP	X	O	AVDEC-IC INCLUDE	O	X	75
RGB	O	X	VIDEO ENCODER	X	O	220
ADJ	R3253	R3255-VR3201		K3205		
INNER ADJ	X	O	NTSC	O		
OUT ADJ	O	X	PAL	X		

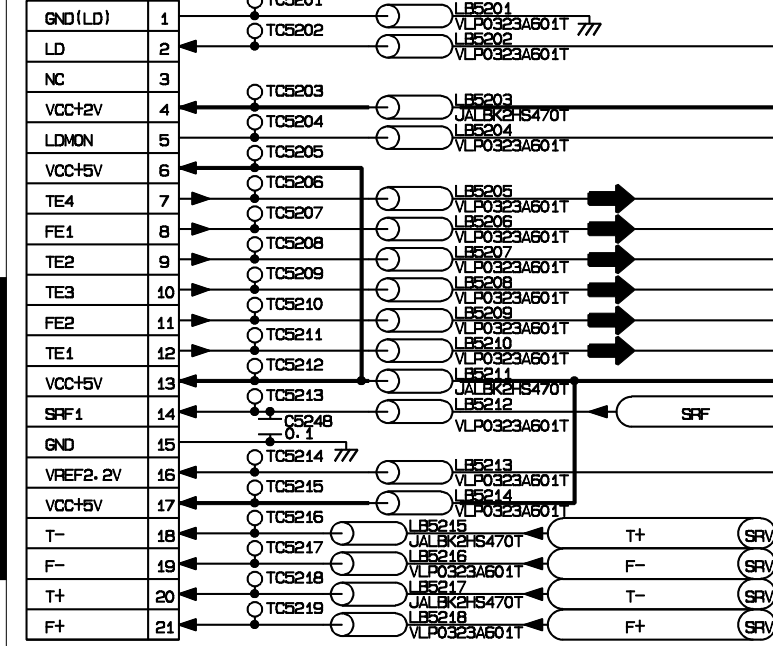
**CAUTION:** For continued safety, replace safety critical components only with manufacturer's recommended parts (refer to parts list).  $\Delta$  indicates safety critical components. For continued protection against risk of fire, replace only with same type and rating fuse(s). To reduce the risk of electric shock, leakage-current or resistance measurements shall be carried out (exposed parts are acceptably insulated from the supply circuit) before the appliance is returned to the customer.

Y22-8200-10



FEP/module (5/8)

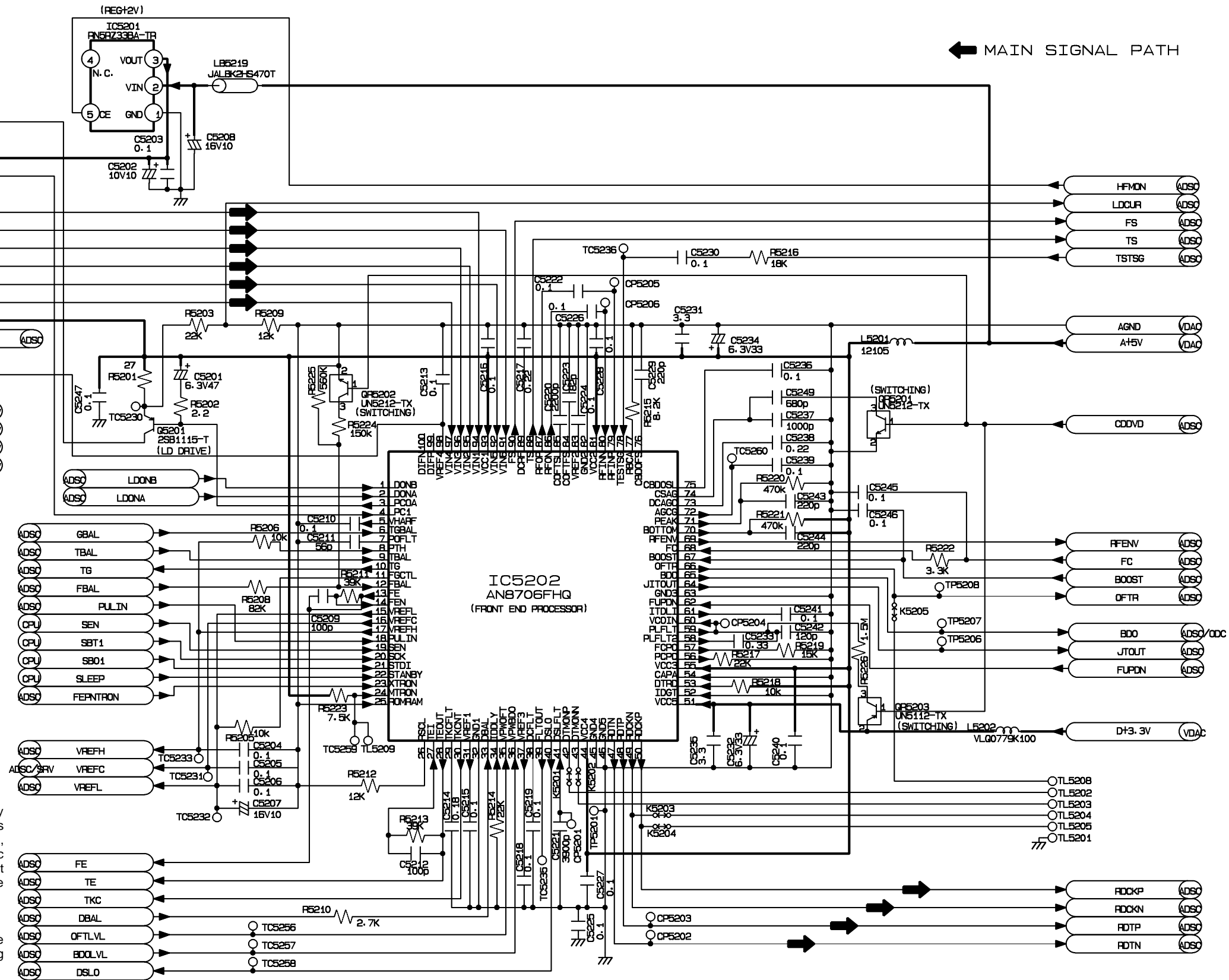
TO OPTICAL PICK UP UNIT  
FP5201



ADSC: TO ADSC SECTION  
AVDEC: TO AV DECODER SECTION  
CLK: TO CLOCK SECTION  
CPU: TO CPU SECTION  
FEP: TO FRONT END PROCESSOR SECTION  
ODC: TO OPTICAL DISC CONTROLLER SECTION  
SRV: TO SERVO SECTION  
VDAC: TO VIDEO D/A CONVERTER SECTION

**CAUTION:** For continued safety, replace safety critical components only with manufacturer's recommended parts (refer to parts list).  $\Delta$  indicates safety critical components. For continued protection against risk of fire, replace only with same type and rating fuse(s). To reduce the risk of electric shock, leakage-current or resistance measurements shall be carried out (exposed parts are acceptably insulated from the supply circuit) before the appliance is returned to the customer.

The DC voltage is an actual reading measured with a high impedance type voltmeter with no signal input. The measurement value may vary depending on the measuring instruments used or on the product.



NOTE: DO NOT USE THE PART NUMBER SHOWN ON THIS DRAWING FOR ORDERING. THE CORRECT PART NUMBER IS SHOWN IN THE PARTS LIST, AND MAY BE SLIGHTLY DIFFERENT OR AMENDED SINCE THIS DRAWING WAS PREPARED.

← MAIN SIGNAL PATH

DVF-K5020

Y22-8200-10

KENWOOD





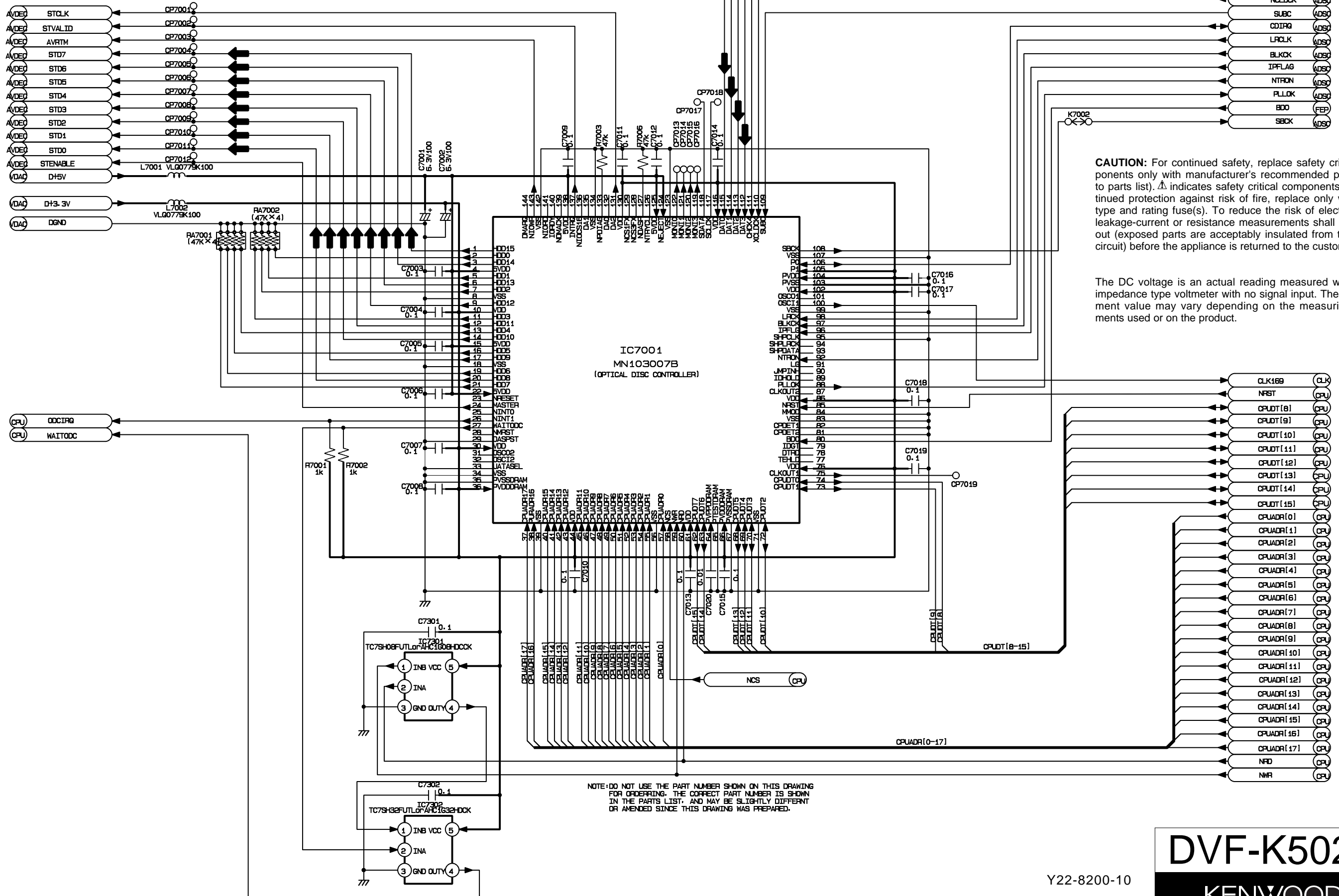


ODC/module (8/8)

ADSC SECTION : (1/8), SRV SECTION : (2/8), AVDEC SECTION : (3/8), VDAC SECTION : (4/8)  
 FEP SECTION : (5/8), CPU SECTION : (6/8), CLK SECTION : (7/8), ODC SECTION : (8/8)

ADSC: TO ADSC SECTION  
 AVDEC: TO AV DECODER SECTION  
 CLK: TO CLOCK SECTION  
 CPU: TO CPU SECTION  
 FEP: TO FRONT END PROCESSOR SECTION  
 ODC: TO OPTICAL DISC CONTROLLER SECTION  
 SRV: TO SERVO SECTION  
 VDAC: TO VIDEO D/A CONVERTER SECTION

← MAIN SIGNAL PATH



**CAUTION:** For continued safety, replace safety critical components only with manufacturer's recommended parts (refer to parts list). Δ indicates safety critical components. For continued protection against risk of fire, replace only with same type and rating fuse(s). To reduce the risk of electric shock, leakage-current or resistance measurements shall be carried out (exposed parts are acceptably insulated from the supply circuit) before the appliance is returned to the customer.

The DC voltage is an actual reading measured with a high impedance type voltmeter with no signal input. The measurement value may vary depending on the measuring instruments used or on the product.

NOTE: DO NOT USE THE PART NUMBER SHOWN ON THIS DRAWING FOR ORDERING. THE CORRECT PART NUMBER IS SHOWN IN THE PARTS LIST. AND MAY BE SLIGHTLY DIFFERENT OR AMENDED SINCE THIS DRAWING WAS PREPARED.



TO PS1101 POWER PP1101

NSW-11V	1
AGND	2
NSW+11V	3
AGND	4
A+5V	5
DGND	6
D+3.3V	7
DGND	8
D+3.3V	9
DGND	10
D+5V	11
MGND	12
M+5V	13
POWER-OFF (L)	14
NSW+5V	15
FLH+	16
FLH-	17
FL-29V	18

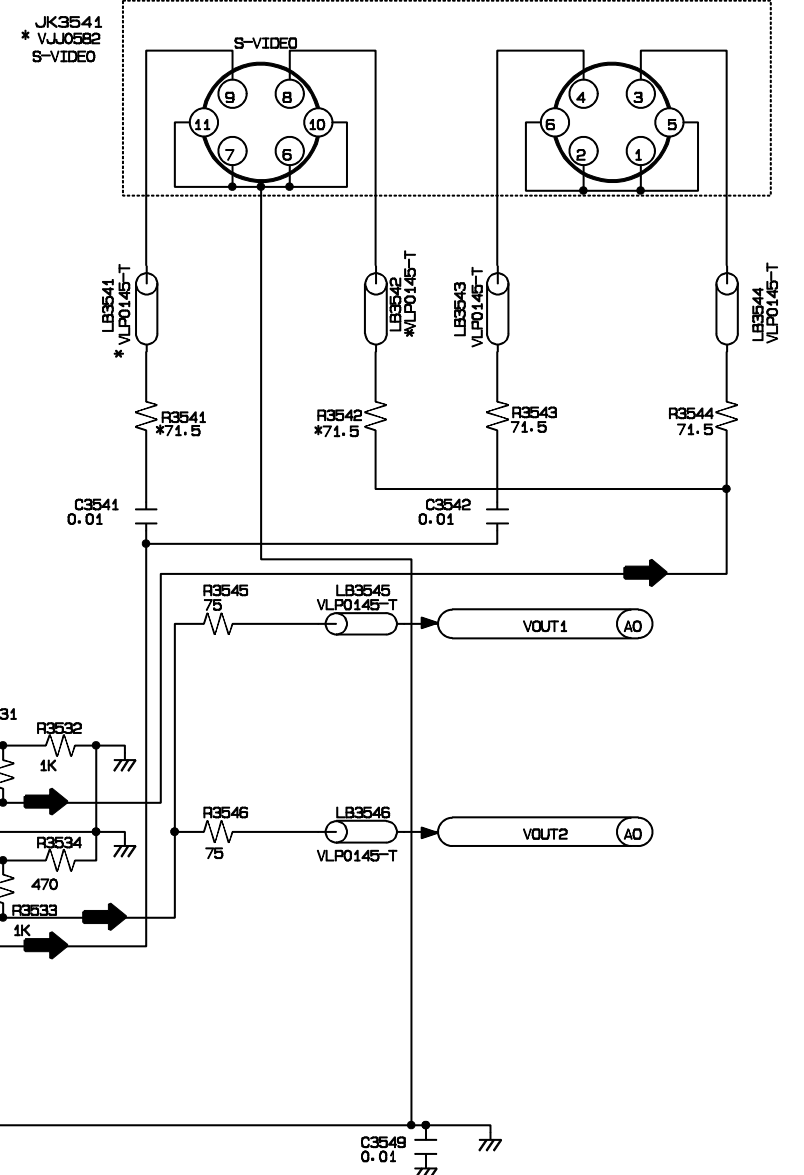
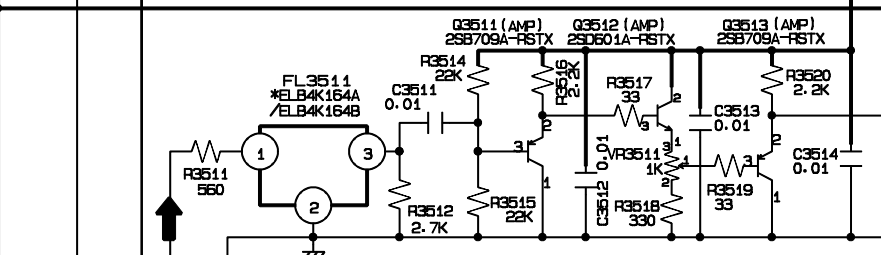
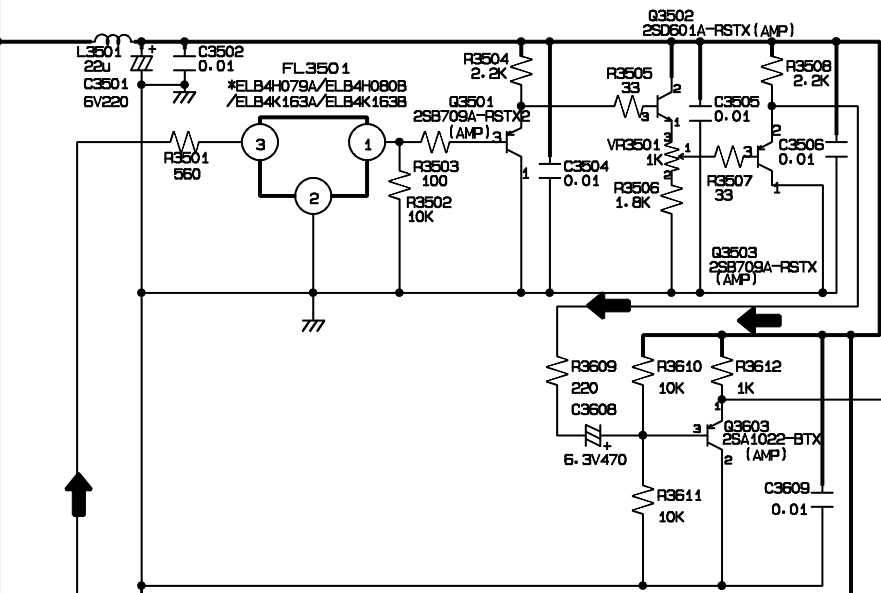
OP	POWER-OFF (L)
OP/AD	NSW+5V
OP	FLH+
OP	FLH-
OP	FL-29V

TO PS3201 MODULE C.B.A. (VDAC) PP3201

VGND	1
WIDE1	2
WIDE2	3
VGND	4
C	5
VGND	6
Y	7
VGND	8
M+5V	9
MGND	10
D+5V	11
DGND	12
D+3.3V	13
DGND	14
D+3.3V	15
DGND	16
A+5V	17
AGND	18
NR	19
VGND	20
Y/G	21
VGND	22
CP/R	23
VGND	24
CB/B	25
DVDH	26

Ref. No. 23500-23699  
VIDEO-out/mother (1/5)

← VIDEO SIGNAL



AC3: TO AUDIO-AC3 SECTION  
ADAC: TO AUDIO-DAC SECTION  
AD: TO AUDIO-OUT SECTION  
KA: TO KARAOKE SECTION  
OP: TO OPERATION & FL SECTION  
VOUT: TO VIDEO-OUT SECTION

NOTE: DO NOT USE THE PART NUMBER SHOWN ON THIS DRAWING FOR ORDERING. THE CORRECT PART NUMBER IS SHOWN IN THE PARTS LIST, AND MAY BE SLIGHTLY DIFFERENT OR AMENDED SINCE THIS DRAWING WAS PREPARED.

**CAUTION:** For continued safety, replace safety critical components only with manufacturer's recommended parts (refer to parts list).  $\Delta$  indicates safety critical components. For continued protection against risk of fire, replace only with same type and rating fuse(s). To reduce the risk of electric shock, leakage-current or resistance measurements shall be carried out (exposed parts are acceptably insulated from the supply circuit) before the appliance is returned to the customer.

The DC voltage is an actual reading measured with a high impedance type voltmeter with no signal input. The measurement value may vary depending on the measuring instruments used or on the product.

AC3: TO AUDIO-AC3 SECTION  
 ADAC: TO AUDIO-DAC SECTION  
 AO: TO AUDIO-OUT SECTION  
 KA: TO KARAOKE SECTION  
 OP: TO OPERATION & FL SECTION  
 VOUT: TO VIDEO-OUT SECTION

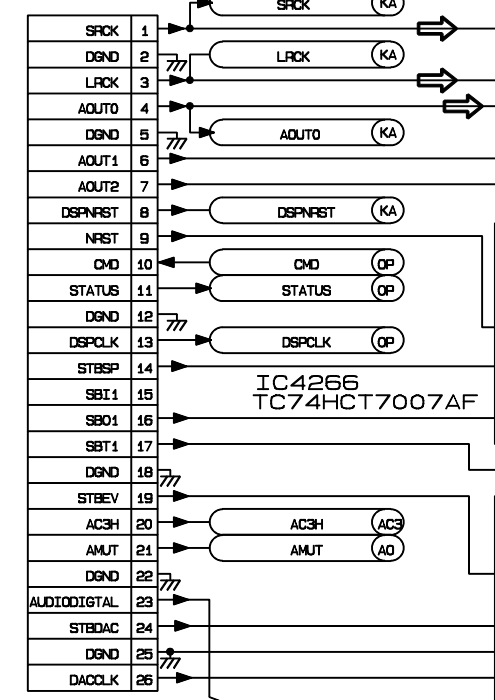
**Ref. No. 24201-24299**  
**AUDIO-DAC/mother (2/5)**

**CAUTION:** For continued safety, replace safety critical components only with manufacturer's recommended parts (refer to parts list).  $\Delta$  indicates safety critical components. For continued protection against risk of fire, replace only with same type and rating fuse(s). To reduce the risk of electric shock, leakage-current or resistance measurements shall be carried out (exposed parts are acceptably insulated from the supply circuit) before the appliance is returned to the customer.

The DC voltage is an actual reading measured with a high impedance type voltmeter with no signal input. The measurement value may vary depending on the measuring instruments used or on the product.

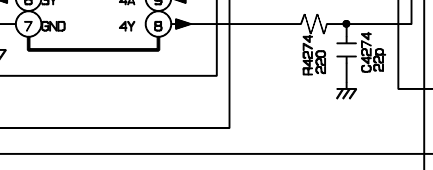
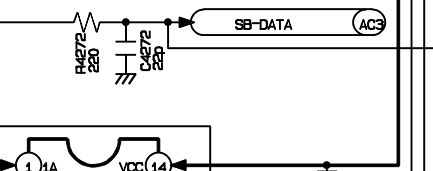
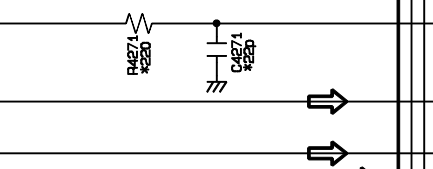
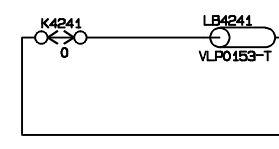
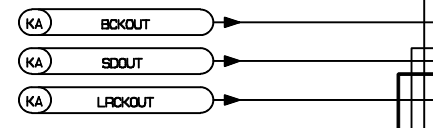
0 2A4201  
 VLP0578  
 Earth Spring

TO  
 FP4201  
 MODULE C.B.A. (CLK)  
 PP4201



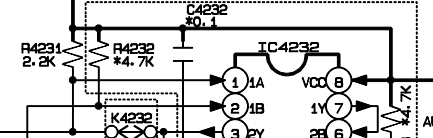
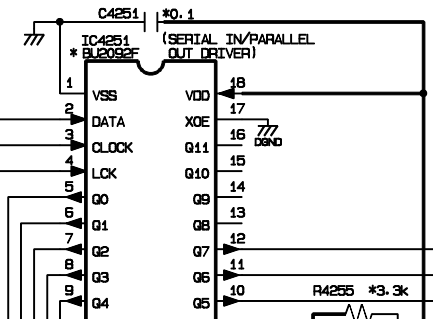
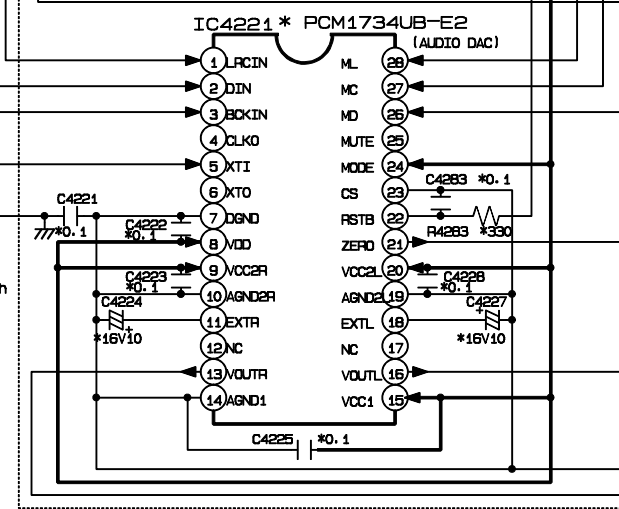
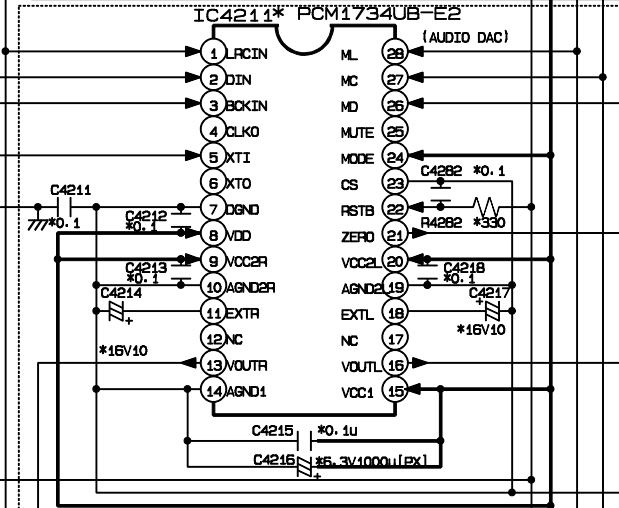
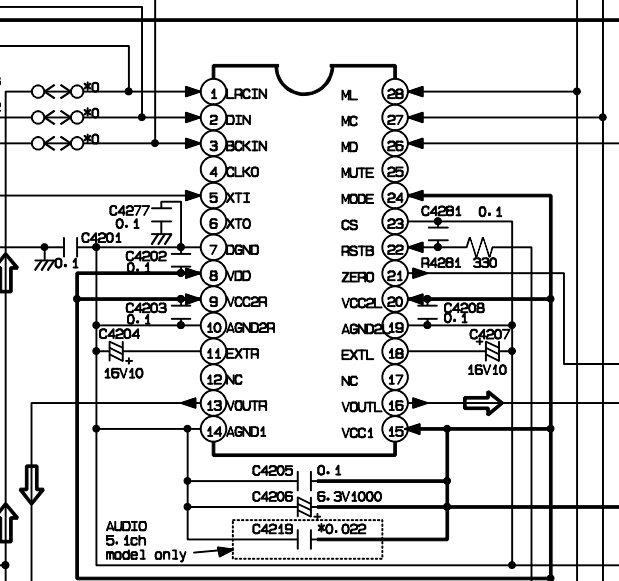
PP4203  
 AUDIODIGITAL 1  
 DGND 2

PP4202  
 AUDIODIGITAL 1  
 DGND 2

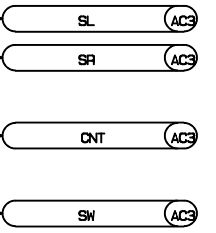
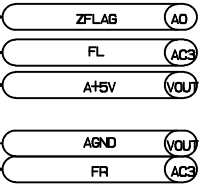
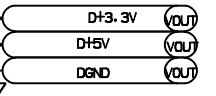
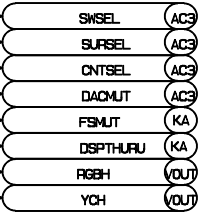


AUDIO 5.1ch model only

IC4201  
 PCM1734UA-E2: AUDIO 5.1ch model1  
 \*PCM1734UB-E2: Except AUDIO 5.1ch model1



AUDIO SIGNAL

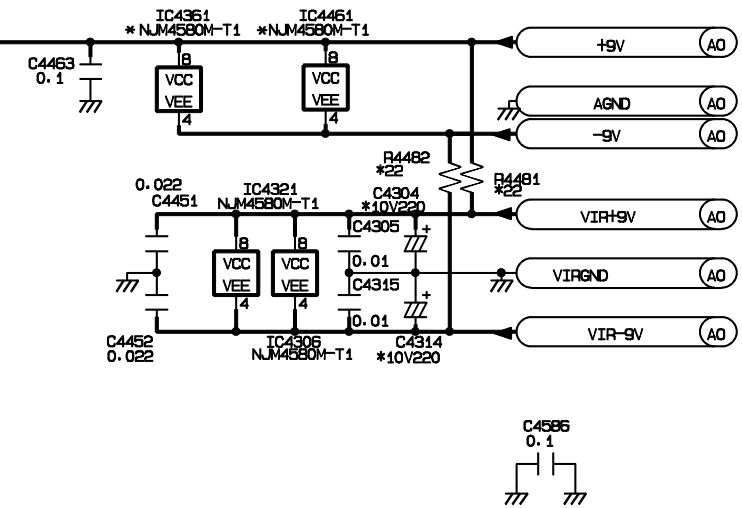


NOTE: DO NOT USE THE PART NUMBER SHOWN ON THIS DRAWING FOR ORDERING. THE CORRECT PART NUMBER IS SHOWN IN THE PARTS LIST, AND MAY BE SLIGHTLY DIFFERENT OR AMENDED SINCE THIS DRAWING WAS PREPARED.

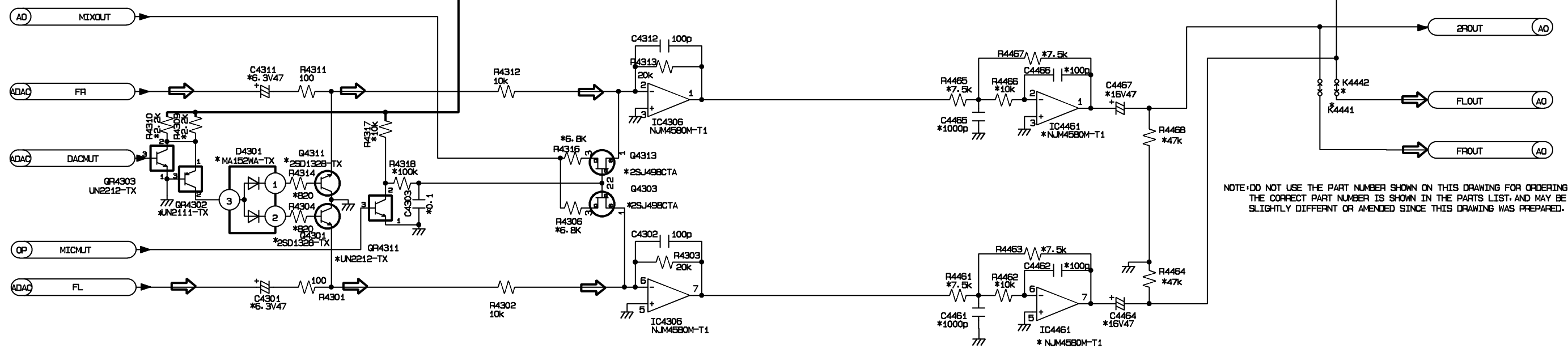
Ref. No. 24301-24499  
AUDIO-AC3/mother (3/5)

AC3: TO AUDIO-AC3 SECTION  
ADAC: TO AUDIO-DAC SECTION  
AD: TO AUDIO-OUT SECTION  
KA: TO KARAOKE SECTION  
OP: TO OPERATION & FL SECTION  
VOUT: TO VIDEO-OUT SECTION

\* C4586



← AUDIO SIGNAL



NOTE: DO NOT USE THE PART NUMBER SHOWN ON THIS DRAWING FOR ORDERING. THE CORRECT PART NUMBER IS SHOWN IN THE PARTS LIST, AND MAY BE SLIGHTLY DIFFERENT OR AMENDED SINCE THIS DRAWING WAS PREPARED.

**CAUTION:** For continued safety, replace safety critical components only with manufacturer's recommended parts (refer to parts list).  $\Delta$  indicates safety critical components. For continued protection against risk of fire, replace only with same type and rating fuse(s). To reduce the risk of electric shock, leakage-current or resistance measurements shall be carried out (exposed parts are acceptably insulated from the supply circuit) before the appliance is returned to the customer.

The DC voltage is an actual reading measured with a high impedance type voltmeter with no signal input. The measurement value may vary depending on the measuring instruments used or on the product.

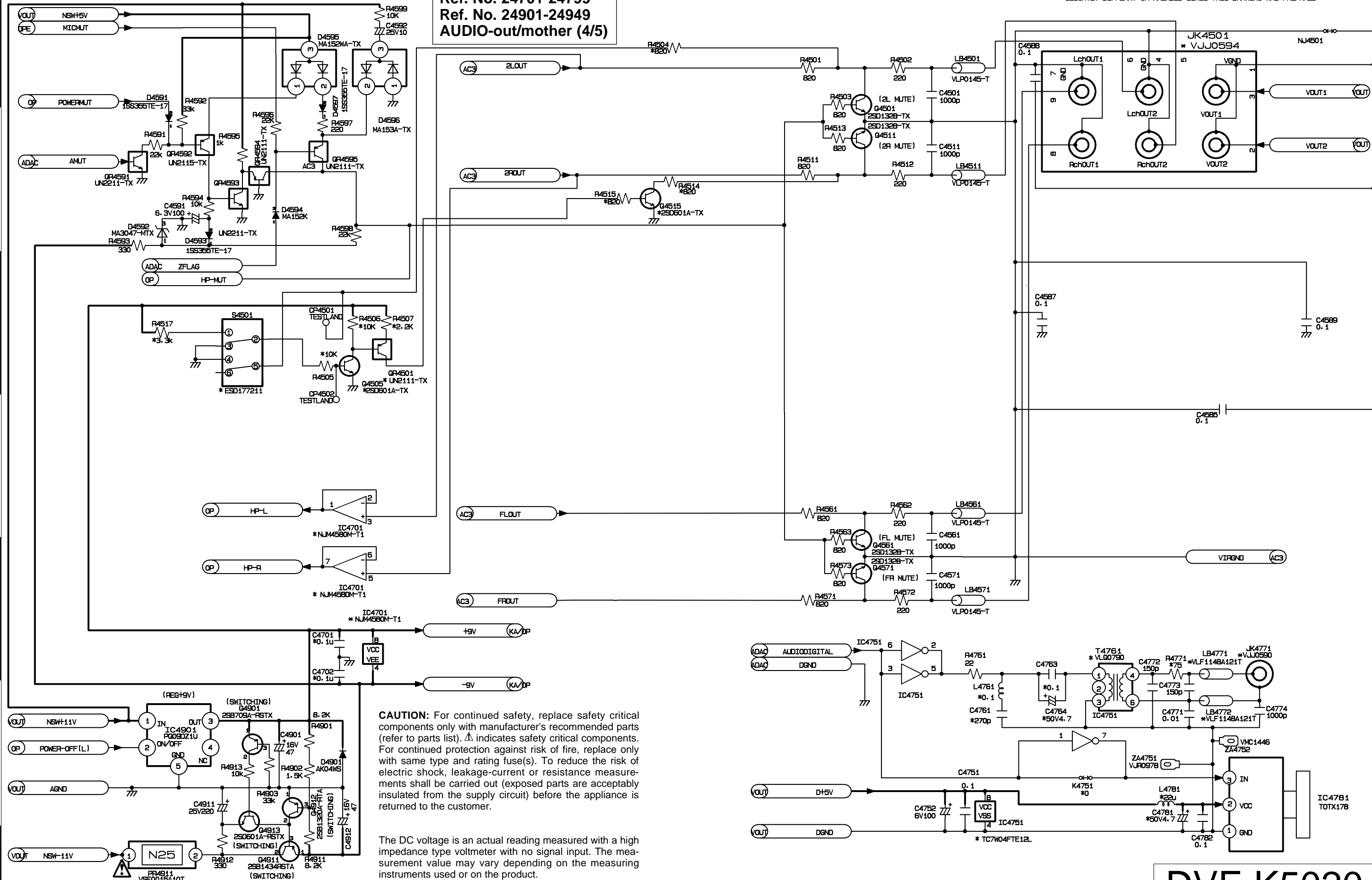
DVF-K5020

KENWOOD

HW AC3 TO AUDIO-AC3 SECTION  
HX ADAC TO AUDIO-DAC SECTION  
AD TO AUDIO-OUT SECTION  
HY KA TO KARAOKE SECTION  
OP TO OPERATION & FL SECTION  
VOUT TO VIDEO-OUT SECTION

Ref. No. 24501-24599  
Ref. No. 24701-24799  
Ref. No. 24901-24949  
AUDIO-out/mother (4/5)

NOTE: DO NOT USE THE PART NUMBER SHOWN ON THIS DRAWING FOR ORDERING.  
THE CORRECT PART NUMBER IS SHOWN IN THE PARTS LIST AND MAY BE  
SLIGHTLY DIFFERENT OR AMENDED SINCE THIS DRAWING WAS PREPARED.



**CAUTION:** For continued safety, replace safety critical components only with manufacturer's recommended parts (refer to parts list).  $\Delta$  indicates safety critical components. For continued protection against risk of fire, replace only with same type and rating fuse(s). To reduce the risk of electric shock, leakage-current or resistance measurements shall be carried out (exposed parts are acceptably insulated from the supply circuit) before the appliance is returned to the customer.

The DC voltage is an actual reading measured with a high impedance type voltmeter with no signal input. The measurement value may vary depending on the measuring instruments used or on the product.

**DVF-K5020**  
KENWOOD

Y22-8200-10

Ref. No. 26001-26199  
OPR&f1-out/mother (5/5)

AC3: TO AUDIO-AC3 SECTION  
ADAC: TO AUDIO-DAC SECTION  
AO: TO AUDIO-OUT SECTION  
KA: TO KARAOKE SECTION  
OP: TO OPERATION & FL SECTION  
VOUT: TO VIDEO-OUT SECTION

**CAUTION:** For continued safety, replace safety critical components only with manufacturer's recommended parts (refer to parts list).  $\Delta$  indicates safety critical components. For continued protection against risk of fire, replace only with same type and rating fuse(s). To reduce the risk of electric shock, leakage-current or resistance measurements shall be carried out (exposed parts are acceptably insulated from the supply circuit) before the appliance is returned to the customer.

The DC voltage is an actual reading measured with a high impedance type voltmeter with no signal input. The measurement value may vary depending on the measuring instruments used or on the product.

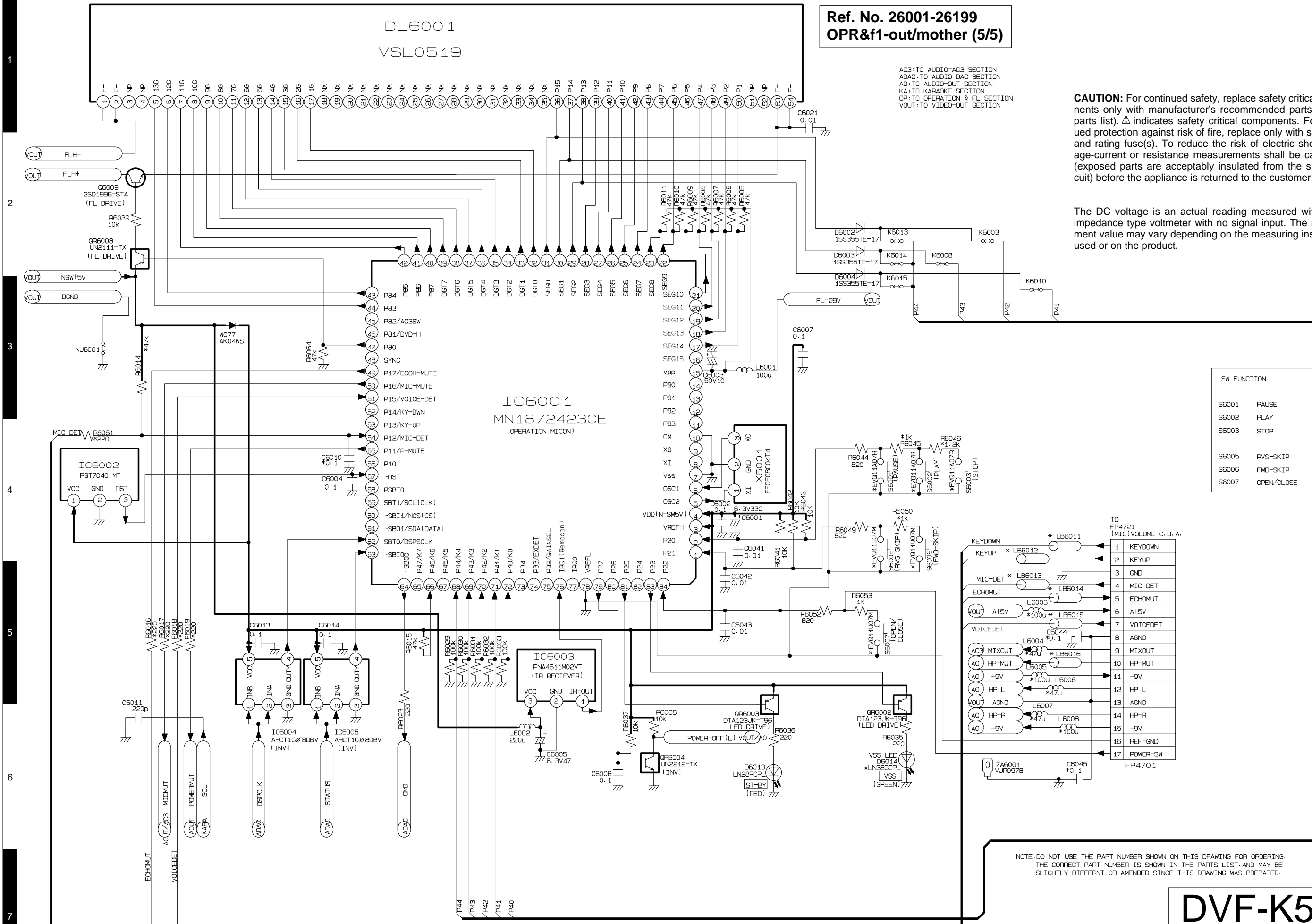
SW FUNCTION	
S6001	PAUSE
S6002	PLAY
S6003	STOP
S6005	RVS-SKIP
S6006	FWD-SKIP
S6007	OPEN/CLOSE

NOTE: DO NOT USE THE PART NUMBER SHOWN ON THIS DRAWING FOR ORDERING. THE CORRECT PART NUMBER IS SHOWN IN THE PARTS LIST AND MAY BE SLIGHTLY DIFFERENT OR AMENDED SINCE THIS DRAWING WAS PREPARED.

DVF-K5020

Y22-8200-10

KENWOOD



DL6001  
VSL0519

IC6001  
MN1872423CE  
(OPERATION MICON)

IC6003  
PNA451M02VT  
(IR RECIEVER)

IC6001  
X6001  
EF0E6004T4

IC6002  
PST7040-MT

IC6004  
AHCT1G#88BV  
(INV)

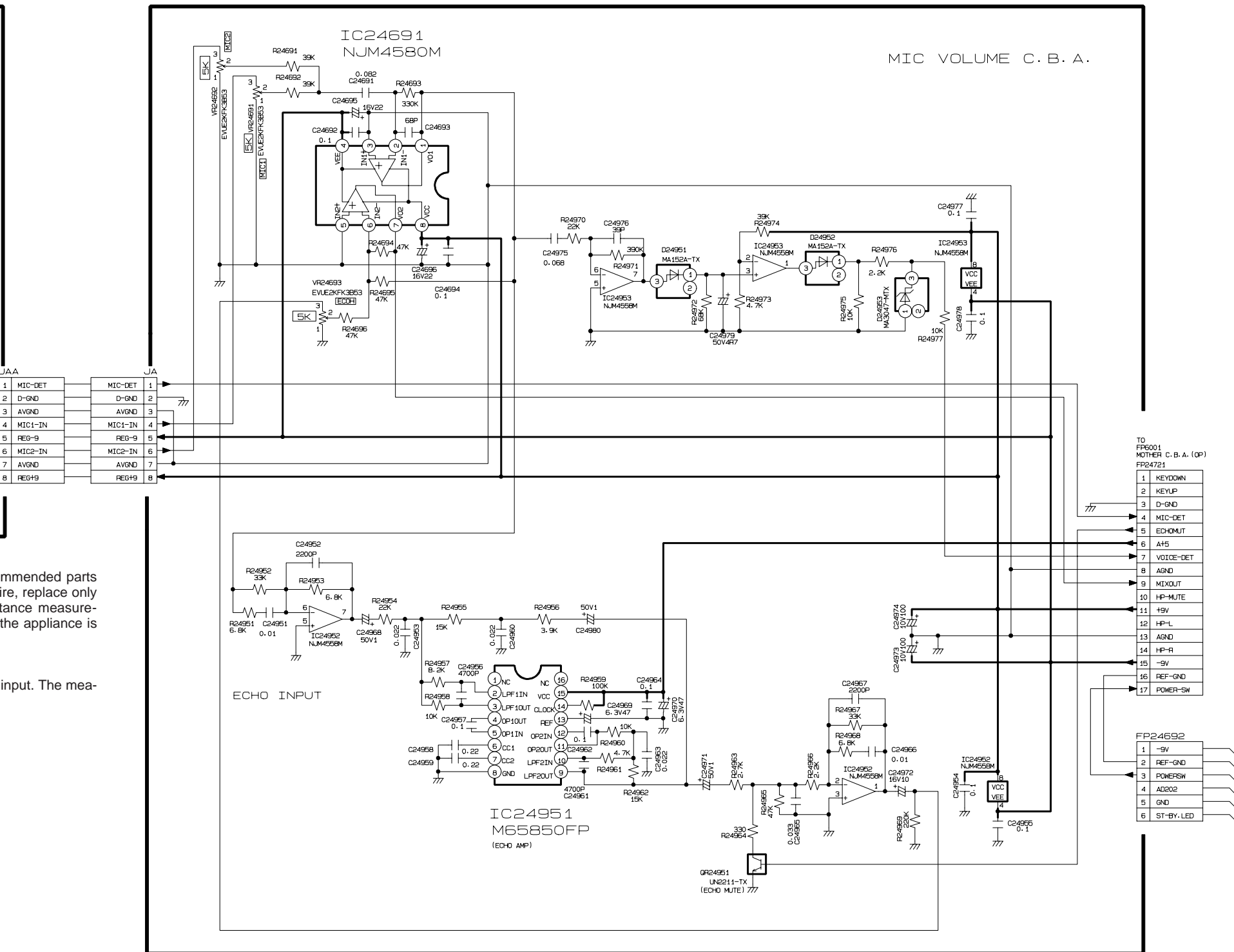
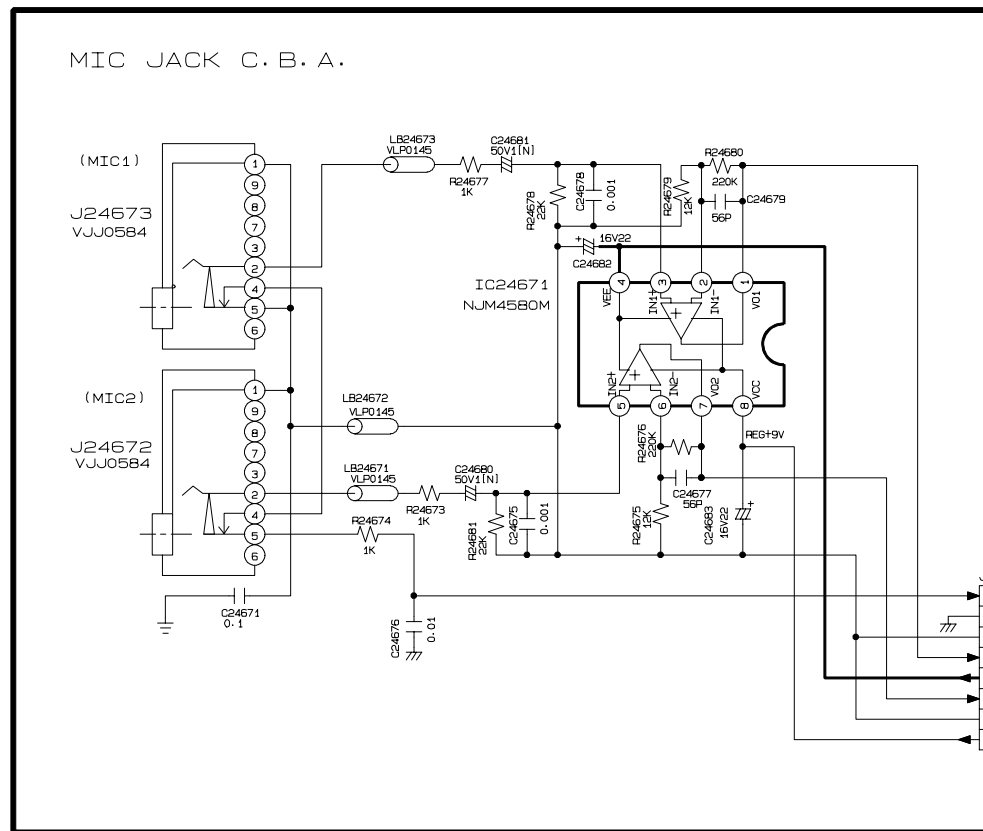
IC6005  
AHCT1G#88BV  
(INV)

TO FP4721 (MIC)VOLUME C. B. A.

KEYDOWN	* LB6011	1	KEYDOWN
KEYUP	* LB6012	2	KEYUP
GND		3	GND
MIC-DET	* LB6013	4	MIC-DET
ECHOMUT	* LB6014	5	ECHOMUT
A+5V	* LB6015	6	A+5V
VOICEDET		7	VOICEDET
AGND		8	AGND
MIXOUT		9	MIXOUT
HP-MUT		10	HP-MUT
+9V		11	+9V
HP-L		12	HP-L
AGND		13	AGND
HP-R		14	HP-R
-9V		15	-9V
REF-GND		16	REF-GND
POWER-SW		17	POWER-SW



MIC JACK



TO FR6001 MOTHER C.B.A. (OP) FR24721

1	KEYDOWN
2	KEYUP
3	D-GND
4	MIC-DET
5	ECHOMUT
6	AH5
7	VOICE-DET
8	AGND
9	MIXOUT
10	HP-MUTE
11	+9V
12	HP-L
13	AGND
14	HP-R
15	-9V
16	REF-GND
17	POWER-SW

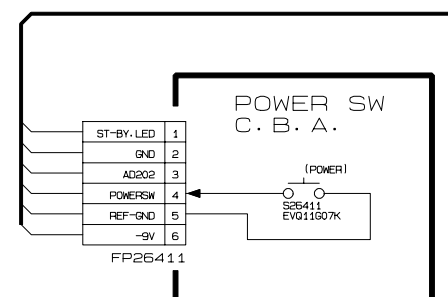
FP24692

1	-9V
2	REF-GND
3	POWERSW
4	AD202
5	GND
6	ST-BY-LED

**CAUTION:** For continued safety, replace safety critical components only with manufacturer's recommended parts (refer to parts list). ⚠ indicates safety critical components. For continued protection against risk of fire, replace only with same type and rating fuse(s). To reduce the risk of electric shock, leakage-current or resistance measurements shall be carried out (exposed parts are acceptably insulated from the supply circuit) before the appliance is returned to the customer.

The DC voltage is an actual reading measured with a high impedance type voltmeter with no signal input. The measurement value may vary depending on the measuring instruments used or on the product.

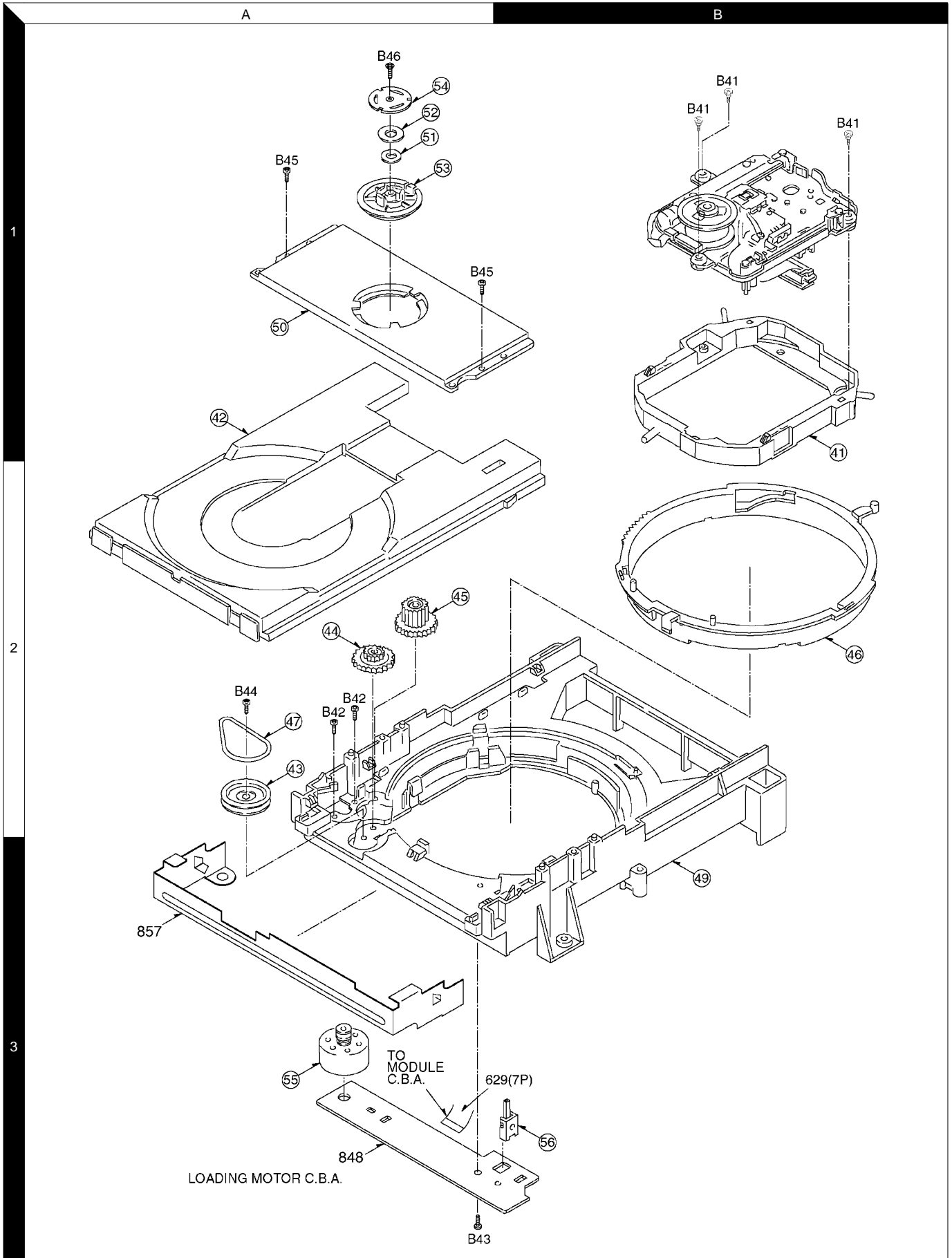
NOTE: DO NOT USE THE PART NUMBER SHOWN ON THIS DRAWING FOR ORDERING. THE CORRECT PART NUMBER IS SHOWN IN THE PARTS LIST, AND MAY BE SLIGHTLY DIFFERENT OR AMENDED SINCE THIS DRAWING WAS PREPARED.



Y22-8200-10

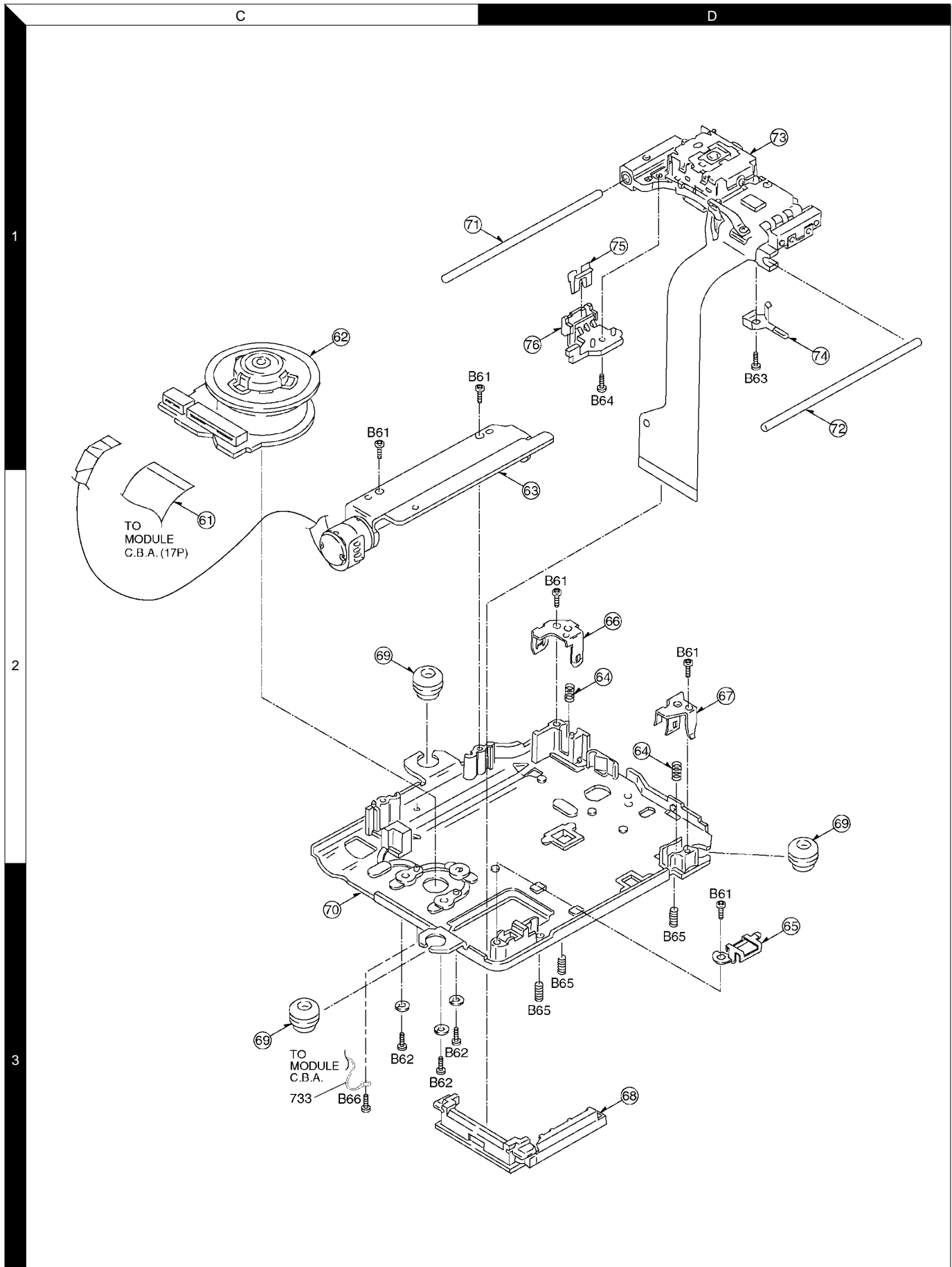
**DVF-K5020**  
**KENWOOD**

## EXPLODED VIEW (MECHANISM)



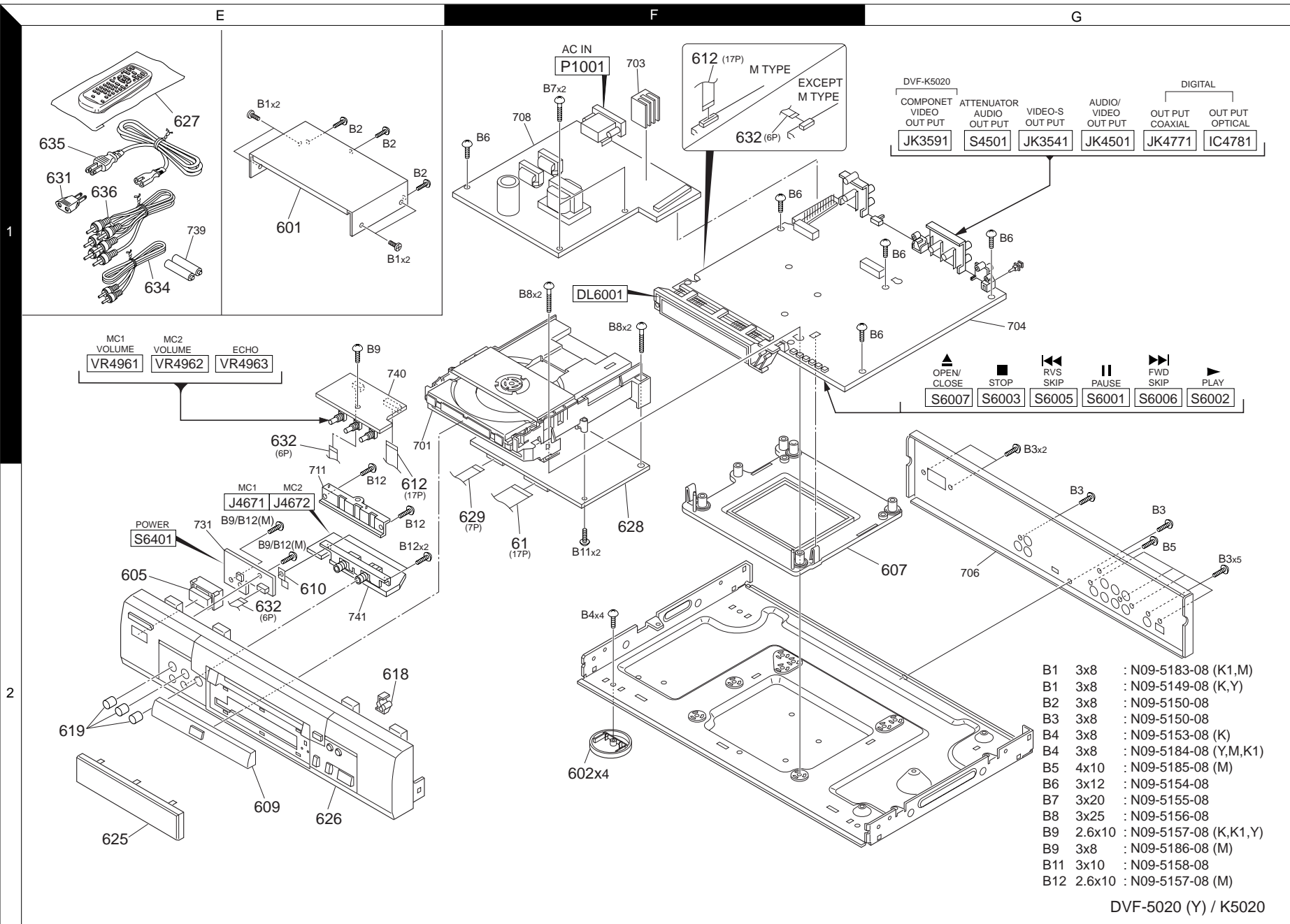
# DV-303/DVF-5020/K5020

## EXPLODED VIEW (MECHANISM)





## EXPLODED VIEW (UNIT)



- B1 3x8 : N09-5183-08 (K1,M)
- B1 3x8 : N09-5149-08 (K,Y)
- B2 3x8 : N09-5150-08
- B3 3x8 : N09-5150-08
- B4 3x8 : N09-5153-08 (K)
- B4 3x8 : N09-5184-08 (Y,M,K1)
- B5 4x10 : N09-5185-08 (M)
- B6 3x12 : N09-5154-08
- B7 3x20 : N09-5155-08
- B8 3x25 : N09-5156-08
- B9 2.6x10 : N09-5157-08 (K,K1,Y)
- B9 3x8 : N09-5186-08 (M)
- B11 3x10 : N09-5158-08
- B12 2.6x10 : N09-5157-08 (M)

DVF-5020 (Y) / K5020

Parts with exploded numbers larger than 700 are not supplied.

\* New Parts  
Parts without **Parts No.** are not supplied.  
Les articles non mentionnés dans le **Parts No.** ne sont pas fournis.  
Teile ohne **Parts No.** werden nicht geliefert.

①

Ref. No	Address	New Parts	Parts No.	Description	Destination	Remarks
<b>DV-303:K/DV-303(S):K1/DVF-5020(Y)/DVF-K5020(M)</b>						
601	1E	*	A01-3749-08	TOP COVER	VGM1591	KY
601	1E	*	A01-3754-08	TOP COVER	VGM1639	K1M
602	2F	*	J02-1468-08	LEG	VYK5504	
605	2E	*	K27-2389-08	POWER BUTTON	VGU8284	KY
605	2E	*	K27-2400-08	POWER BUTTON	VGU8288	K1M
607	2G	*	J30-1405-08	SPACER	VMD3305	
609	2E	*	A29-1088-08	TRAY TOP	VYF2637	KY
609	2E	*	A29-1094-08	TRAY TOP	VYF2638	K1M
610	2E	*	G02-1702-08	EARTH PLATE	VMC1501	M
612	2E,1F	*	E35-2561-08	17P FLEX CABLE	VWJ1292	M
618	2E	*	J19-6058-08	HOLDER	VGL0812	
619	2E	*	K29-7764-08	VOLUME KNOB	VGU8286	M
625	2E	*	B10-3573-08	FRONT COVER	VKW2709	
626	2E	*	A60-1788-08	FRONT PANEL	VYP7389	K
626	2E	*	A60-1821-08	FRONT PANEL	VYP7398	M
626	2E	*	A60-1822-08	FRONT PANEL	VYP7451	K1
626	2E	*	A60-1823-08	FRONT PANEL	VYP7392	Y
627	1E	*	A70-1353-08	REMOTE CONTROL UNIT,VEQ2324		KK1Y
627	1E	*	A70-1369-08	REMOTE CONTROL UNIT,VEQ2325		M
628	2F	*	J26-0102-08	MODULE CBA	VEP96556B	KK1Y
628	2F	*	J26-0105-08	MODULE CBA	VEP96541R	M
629	2E	*	E35-2508-08	LOADING FFC(7P)	VWJ1278	YM
631	1E	*	E03-0115-05	PLUG ADAPTER	VJP2974	
632	2E,1F	*	E35-2509-08	6P FLEX CABLE	VWJ06C9170BB	KK1Y
632	2E,1F	*	E35-2563-08	6P FLEX CABLE	VWJ06A0130BB	M
634	1E	*	E30-2365-05	DIGITAL CORD	VJA1114	
635	1E	*	E30-2937-08	AC CORD	VJA1095	KK1
635	1E	*	E30-2946-08	AC CORD	VJA0664	YM
636	1E	*	E30-2938-08	A/V CORD	VJA1062	
-	-	-	B46-0328-03	WARRANTY CARD(BLUE)		KK1Y
-	-	-	B46-0347-03	WARRANTY CARD		KK1
-	-	-	B58-0964-13	CAUTION CARD		Y
-	-	-	B58-0966-13	CAUTION CARD		Y
-	-	-	B59-1104-00	SERVICE STATIONS' LIST		Y
-	-	-	B60-4414-08	OPERATING INSTRUCT,VQT8204		KK1
-	-	-	B60-4417-08	OPERATING (EN,ES,TC),VQT8206		M
-	-	-	B60-4421-08	OPERATING INST(EN),VQT8205		Y
-	-	-	H09-0133-08	ACCEESSORY CASE,VPK1891Z		
-	-	-	H10-7642-08	CUSHION(L)	VPN5241	
-	-	-	H10-7643-08	CUSHION(R)	VPN5242	
-	-	-	H25-1664-08	POLYETHYLENE BAG,VPF0731		
-	-	-	H50-3502-08	PACKING CASE	VPG0B00	K1
-	-	-	H50-3503-08	PACKING CASE	VPG0A51	Y
-	-	-	H50-3504-08	PACKING CASE	VPG0A54	M
-	-	-	H50-3582-08	PACKING CASE	VPG0A50	K
B1	1E	*	N09-5149-08	SCREW	VHD1041	KY
B1	1E	*	N09-5183-08	SCREW	VHD1094	K1M
B2	1E	*	N09-5150-08	SCREW	VHD0690	
B3	2G	*	N09-5150-08	SCREW	VHD0690	
B4	2F	*	N09-5153-08	SCREW	XTV3+8G	K
B4	2F	*	N09-5184-08	SCREW	XTV3+8GFZ	YMK1
B5	1F,1G	*	N09-5185-08	SCREW	XTN4+10FFC	M
B6	1F,1G	*	N09-5154-08	SCREW	XYE3+EF12	

L : Scandinavia K : USA P : Canada R : Mexico C : China I : Malaysia DV-303 : K ,DV-303(S) : K1  
Y : PX(Far East,Hawaii) T : England E : Europe G : Germany V : China(Shanghai) DVF-5020 : Y ,DVF-K5020 : M  
Y : AAFES(Europe) X : Australia Q : Russia H : Korea M : Other Areas Δ indicates safety critical components.

\* New Parts  
Parts without **Parts No.** are not supplied.  
Les articles non mentionnés dans le **Parts No.** ne sont pas fournis.  
Teile ohne **Parts No.** werden nicht geliefert.

②

Ref. No	Address	New Parts	Parts No.	Description	Destination	Remarks
B7	1F	*	N09-5155-08	SCREW	XTES3+EF20	
B8	1F	*	N09-5156-08	SCREW	XYE3+EF25	
B9	2E	*	N09-5157-08	SCREW	XTBS26+10J	KK1Y
B9	2E	*	N09-5186-08	SCREW	XTV3+8J	M
B11	2F	*	N09-5158-08	SCREW	XTV3+10G	
B12	2E	*	N09-5157-08	SCREW	XTBS26+10J	M
<b>ELECTRIC PARTS</b>						
Δ	999	*	EYF52BC	FUSE HOLDER	EYF52BC	
Δ	C1003	*	C90-3891-08	MF-C	0.068UF	J
Δ	C1003	*	C90-3913-08	MF-C	0.01UF	J
Δ	C1005	*	C90-3914-08	CERAMIC	470PF	J
Δ	C1005	*	C90-3915-08	CERAMIC	0.001UF	J
Δ	C1008	*	C90-3914-08	CERAMIC	470PF	J
Δ	C1008	*	C90-3915-08	CERAMIC	0.001UF	J
Δ	C1010	*	C90-3892-08	MF-C	2200PF	J
Δ	C1010	*	C90-3920-08	CERAMIC	1000P	J
Δ	C1011	*	C90-3891-08	MF-C	0.068UF	J
Δ	C1011	*	C90-3913-08	MF-C	0.01UF	J
Δ	C1018	*	C90-3921-08	ELECTRO	68UF	400WV
Δ	C1019	*	C90-3870-08	ELECTRO	100UF	250WV
Δ	C1021	*	CK45FB2H103K	CERAMIC	0.010UF	K
Δ	C1022	*	C90-3871-08	CHIP C	120PF	J
Δ	C1031	*	CE04EW1V470M	ELECTRO	47UF	35WV
Δ	C1041	*	CQ93FMG1H103J	MYLAR	0.010UF	J
Δ	C1052	*	CK45FB1H102K	CERAMIC	1000PF	K
Δ	C1053	*	CE04KW0J331M	ELECTRO	330UF	6.3WV
Δ	C1101	*	CQ93FMG1H104J	MYLAR	0.10UF	J
Δ	C1111,12	*	C90-3872-08	ELECTRO	1800UF	10WV
Δ	C1114	*	CE04KW1A222M	ELECTRO	2200UF	10WV
Δ	C1115	*	C90-3873-08	CHIP C	0.01UF	Z
Δ	C1116,17	*	CE04KW1A221M	ELECTRO	220UF	10WV
Δ	C1121	*	CE04KW0J102M	ELECTRO	1000UF	6.3WV
Δ	C1131	*	C90-3874-08	ELECTRO	150UF	35WV
Δ	C1133	*	CE04KW1E330M	ELECTRO	33UF	25WV
Δ	C1141	*	C90-3874-08	ELECTRO	150UF	35WV
Δ	C1143	*	CE04KW1E330M	ELECTRO	33UF	25WV
Δ	C1151	*	C90-3875-08	ELECTRO	270UF	25WV
Δ	C1151	*	C90-3922-08	ELECTRO	390UF	25WV
Δ	C1153	*	CE04KW1E221M	ELECTRO	220UF	25WV
Δ	C1154	*	CE04KW1C221M	ELECTRO	220UF	16WV
Δ	C1161	*	C90-3876-08	ELECTRO	82UF	50WV
Δ	C1171	*	CE04KW1A331M	ELECTRO	330UF	10WV
Δ	C2001	*	CK73EB1A335K	CHIP C	3.3UF	K
Δ	C2002-05	*	CK73GB1C393K	CHIP C	0.039UF	K
Δ	C2006	*	C90-3923-08	ELECTRO	100UF	6.3WV
Δ	C2007,08	*	CK73GB1C104Z	CHIP C	0.10UF	Z
Δ	C2009	*	CC73GCH1H470J	CHIP C	47PF	J
Δ	C2010	*	CK73GB1C104Z	CHIP C	0.10UF	Z
Δ	C2012	*	CC73GCH1H331J	CHIP C	330PF	J
Δ	C2015	*	CC73GCH1H330J	CHIP C	33PF	J
Δ	C2016	*	CK73GB1C104K	CHIP C	0.10UF	K
Δ	C2019-21	*	CK73GB1C104Z	CHIP C	0.10UF	Z
Δ	C2022	*	CK73EB1A335K	CHIP C	3.3UF	K
Δ	C2023,24	*	CK73GB1C104Z	CHIP C	0.10UF	Z

L : Scandinavia K : USA P : Canada R : Mexico C : China I : Malaysia DV-303 : K ,DV-303(S) : K1  
Y : PX(Far East,Hawaii) T : England E : Europe G : Germany V : China(Shanghai) DVF-5020 : Y ,DVF-K5020 : M  
Y : AAFES(Europe) X : Australia Q : Russia H : Korea M : Other Areas Δ indicates safety critical components.

\* New Parts  
Parts without **Parts No.** are not supplied.  
Les articles non mentionnés dans le **Parts No.** ne sont pas fournis.  
Teile ohne **Parts No.** werden nicht geliefert.

3

Ref. No	Address	New Parts	Parts No.	Description	Destination	Remarks
C2025,26			CK73GB1H102K	CHIP C 1000PF	K	
C2027			CK73GB1C104Z	CHIP C 0.10UF	Z	
C2028			CK73GB1H102K	CHIP C 1000PF	K	
C2029			CK73GB1C104Z	CHIP C 0.10UF	Z	
C2030			CK73GB1H102K	CHIP C 1000PF	K	
C2031			CK73GB1C104Z	CHIP C 0.10UF	Z	
C2032,33			CC73GCH1H821J	CHIP C 820PF	J	
C2034			CC73GCH1H271J	CHIP C 270PF	J	
C2036			CC73GCH1H471J	CHIP C 470PF	J	
C2037			CC73GCH1H331J	CHIP C 330PF	J	
C2038			CC73GCH1H821J	CHIP C 820PF	J	
C2040			CK73GB1H392K	CHIP C 3900PF	K	
C2041,42			CK73GB1C104Z	CHIP C 0.10UF	Z	
C2043,44			CK73GB1C823K	CHIP C 0.082UF	K	
C2045			CK73GB1C104K	CHIP C 0.10UF	K	
C2501		*	C90-3923-08	ELECTRO 100UF	6.3WV	
C2502			C90-3885-08	ELECTRO 330UF	6.3WV	
C2503-05			CK73GB1H103K	CHIP C 0.010UF	K	
C2506			CK73GB1C104Z	CHIP C 0.10UF	Z	
C2507,08			CK73GB1C104K	CHIP C 0.10UF	K	
C2509			CK73GB1C104Z	CHIP C 0.10UF	Z	
C2510-12			CK73GB1C104K	CHIP C 0.10UF	K	
C2513,14			CK73GB1C104Z	CHIP C 0.10UF	Z	KK1Y
C3001,02			C90-3885-08	ELECTRO 330UF	6.3WV	
C3003-26			CK73GB1C104Z	CHIP C 0.10UF	Z	
C3031			C90-3885-08	ELECTRO 330UF	6.3WV	
C3032-34			CK73FB1A105K	CHIP C 1.0UF	K	
C3035-43			CK73GB1C104Z	CHIP C 0.10UF	Z	
C3044,45			CC73GCH1H220J	CHIP C 22PF	J	
C3046			CK73GB1C104Z	CHIP C 0.10UF	Z	KK1Y
C3048			CC73GCH1H220J	CHIP C 22PF	J	
C3051-54			CK73GB1C104Z	CHIP C 0.10UF	Z	
C3055		*	C90-3877-08	CHIP TAN 10UF	10WV	
C3056			CK73GB1C104Z	CHIP C 0.10UF	Z	
C3061-64			CK73GB1C104Z	CHIP C 0.10UF	Z	M
C3065			C90-3877-08	CHIP TAN 10UF	10WV	M
C3066			CK73GB1C104Z	CHIP C 0.10UF	Z	M
C3071		*	C90-3877-08	CHIP TAN 10UF	10WV	M
C3072,73			CK73GB1C104Z	CHIP C 0.10UF	Z	KK1Y
C3201			CK73GB1C104Z	CHIP C 0.10UF	Z	
C3202			CK73GB1C104Z	CHIP C 0.10UF	Z	KK1Y
C3211			CK73GB1C104Z	CHIP C 0.10UF	Z	
C3221			CK73GB1C104Z	CHIP C 0.10UF	Z	KK1Y
C3231			CK73GB1C104Z	CHIP C 0.10UF	Z	KK1Y
C3271,72			CK73GB1C104Z	CHIP C 0.10UF	Z	M
C3286		*	C90-3923-08	ELECTRO 100UF	6.3WV	
C3500			CE04KW0J471M	ELECTRO 470UF	6.3WV	
C3501			CE04KW0J221M	ELECTRO 220UF	6.3WV	
C3502			CK73FB1H103Z	CHIP C 0.010UF	Z	
C3504-06			CK73FB1H103Z	CHIP C 0.010UF	Z	
C3511			CK73FB1H103K	CHIP C 0.010UF	K	
C3512-14			CK73FB1H103Z	CHIP C 0.010UF	Z	
C3531			CE04KW0J221M	ELECTRO 220UF	6.3WV	
C3532			CK73FB1H103Z	CHIP C 0.010UF	Z	
C3533			CE04EW1C470M	ELECTRO 47UF	16WV	

L: Scandinavia K: USA P: Canada R: Mexico C: China I: Malaysia DV-303: K ,DV-303(S): K1  
Y: PX(Far East,Hawaii) T: England E: Europe G: Germany V: China(Shanghai) DVF-5020: Y,DVF-K5020: M  
Y: AAFES(Europe) X: Australia Q: Russia H: Korea M: Other Areas Δ indicates safety critical components.

\* New Parts  
Parts without **Parts No.** are not supplied.  
Les articles non mentionnés dans le **Parts No.** ne sont pas fournis.  
Teile ohne **Parts No.** werden nicht geliefert.

4

Ref. No	Address	New Parts	Parts No.	Description	Destination	Remarks
C3534			CK73FB1H103K	CHIP C 0.010UF	K	
C3535			CE04KW0J221M	ELECTRO 220UF	6.3WV	
C3536			CK73FB1H103Z	CHIP C 0.010UF	Z	
C3537			CE04EW1C100M	ELECTRO 10UF	16WV	
C3538			CE04KW0J102M	ELECTRO 1000UF	6.3WV	
C3539			CE04EW1C100M	ELECTRO 10UF	16WV	
C3540			CE04KW0J102M	ELECTRO 1000UF	6.3WV	
C3541			CK73FB1H103K	CHIP C 0.010UF	K	M
C3542			CK73FB1H103K	CHIP C 0.010UF	K	
C3549,50			CK73FB1H103Z	CHIP C 0.010UF	Z	
C3551			CE04KW0J221M	ELECTRO 220UF	6.3WV	KK1Y
C3552			CK73FB1H103Z	CHIP C 0.010UF	Z	KK1Y
C3554			CE04KW0J471M	ELECTRO 470UF	6.3WV	KK1Y
C3562			CK73FB1H103Z	CHIP C 0.010UF	Z	KK1Y
C3572			CK73FB1H103Z	CHIP C 0.010UF	Z	KK1Y
C3581			CE04KW0J221M	ELECTRO 220UF	6.3WV	KK1Y
C3582			CK73FB1H103Z	CHIP C 0.010UF	Z	KK1Y
C3583			CE04KW0J471M	ELECTRO 470UF	6.3WV	KK1Y
C3584			CE04EW1C220M	ELECTRO 22UF	16WV	KK1Y
C3585			CE04KW0J471M	ELECTRO 470UF	6.3WV	KK1Y
C3586			CE04EW1C220M	ELECTRO 22UF	16WV	KK1Y
C3587			CE04KW0J471M	ELECTRO 470UF	6.3WV	KK1Y
C3588			CE04EW1C220M	ELECTRO 22UF	16WV	KK1Y
C3608			CE04EW0J471M	ELECTRO 470UF	6.3WV	M
C3609			CK73FB1H103Z	CHIP C 0.010UF	Z	M
C4201			CK73GB1H104Z	CHIP C 0.10UF	Z	MY
C4202,03			CK73GB1C104Z	CHIP C 0.10UF	Z	
C4204			CE04KW0J100M	ELECTRO 10UF	16WV	M
C4204		*	C90-3877-08	CHIP TAN 10UF	10WV	KK1Y
C4205			CK73GB1C104Z	CHIP C 0.10UF	Z	
C4206			CE04KW0J102M	ELECTRO 1000UF	6.3WV	
C4207		*	C90-3877-08	CHIP TAN 10UF	10WV	
C4208			CK73GB1C104Z	CHIP C 0.10UF	Z	
C4241			CK73GB1C104Z	CHIP C 0.10UF	Z	M
C4242			CC73GCH1H220J	CHIP C 22PF	J	KK1Y
C4242			CC73GCH1H390J	CHIP C 39PF	J	M
C4251			CK73FB1H104Z	CHIP C 0.10UF	Z	M
C4271			CC73FCH1H220J	CHIP C 22PF	J	M
C4271			CK73GB1C104Z	CHIP C 0.10UF	Z	KK1Y
C4272-74			CC73GCH1H220J	CHIP C 22PF	J	
C4275			CK73FB1H104Z	CHIP C 0.10UF	Z	M
C4275-77			CK73GB1C104Z	CHIP C 0.10UF	Z	KK1Y
C4276			CC73FCH1H470J	CHIP C 47PF	J	M
C4277			CK73FB1H104Z	CHIP C 0.10UF	Z	M
C4281			CK73GB1C104Z	CHIP C 0.10UF	Z	
C4301			CE04EW0J470M	ELECTRO 47UF	6.3WV	
C4302		*	C90-3878-08	CHIP C 100PF	J	
C4303			CK73FB1H104Z	CHIP C 0.10UF	Z	M
C4304			CE04KW1A221M	ELECTRO 220UF	10WV	
C4305			CK73FB1H103Z	CHIP C 0.010UF	Z	
C4306			CK73FB1H104Z	CHIP C 0.10UF	Z	M
C4311		*	CE04EW0J470M	ELECTRO 47UF	6.3WV	
C4312			C90-3878-08	CHIP C 100PF	J	
C4314			CE04KW1A221M	ELECTRO 220UF	10WV	
C4315			CK73FB1H103Z	CHIP C 0.010UF	Z	

L: Scandinavia K: USA P: Canada R: Mexico C: China I: Malaysia DV-303: K ,DV-303(S): K1  
Y: PX(Far East,Hawaii) T: England E: Europe G: Germany V: China(Shanghai) DVF-5020: Y,DVF-K5020: M  
Y: AAFES(Europe) X: Australia Q: Russia H: Korea M: Other Areas Δ indicates safety critical components.

PARTS LIST

DV-303/DVF-5020/K5020

\* New Parts  
Parts without **Parts No.** are not supplied.  
Les articles non mentionnés dans le **Parts No.** ne sont pas fournis.  
Teile ohne **Parts No.** werden nicht geliefert.

5

Ref. No	Add-ress	New Parts	Parts No.	Description	Desti-nation	Re-marks
C4451,52			CQ93FMG1H223J	MYLAR 0.022UF	J	M
C4461			CK73FB1H102J	CHIP C 1000PF	J	
C4462			CC73FCH1H101J	CHIP C 100PF	J	
C4463			CK73FB1H104Z	CHIP C 0.10UF	Z	
C4464			CE04KW1C470M	ELECTRO 47UF 16WV		
C4465			CK73FB1H102J	CHIP C 1000PF	J	
C4466			CC73FCH1H101J	CHIP C 100PF	J	
C4467			CE04KW1C470M	ELECTRO 47UF 16WV		
C4468			CK73FB1H104Z	CHIP C 0.10UF	Z	KK1Y
C4501			CK73FB1H102J	CHIP C 1000PF	J	
C4511			CK73FB1H102J	CHIP C 1000PF	J	
C4561			CK73FB1H102J	CHIP C 1000PF	J	
C4571			CK73FB1H102J	CHIP C 1000PF	J	
C4585,86			CK73FB1H104Z	CHIP C 0.10UF	Z	
C4587			CK73FB1H104Z	CHIP C 0.10UF	Z	M
C4588			CK73FB1H104Z	CHIP C 0.10UF	Z	
C4589			CK73FB1H104Z	CHIP C 0.10UF	Z	M
C4591			CE04EW0J101M	ELECTRO 100UF 6.3WV		
C4592			CE04EW1E100M	ELECTRO 10UF 25WV		
C4671			CK73FB1H104Z	CHIP C 0.10UF	Z	M
C4675			CK73FB1H102K	CHIP C 1000PF	K	M
C4676			CK73FB1H103Z	CHIP C 0.010UF	Z	M
C4677			CC73FCH1H560J	CHIP C 56PF	J	
C4678			CK73FB1H102K	CHIP C 1000PF	K	M
C4679			CC73FCH1H560J	CHIP C 56PF	J	M
C4680,01			CE04EW1H010M	ELECTRO 1.0UF 50WV	M	
C4682,83			CE04EW1C220M	ELECTRO 22UF 16WV	M	
C4691			CQ93FM1H823J	MYLAR 0.082UF	J	M
C4692			CK73FB1H104Z	CHIP C 0.10UF	Z	M
C4693			CK73FB1H680J	CHIP C 68PF	J	M
C4694			CK73FB1H104Z	CHIP C 0.10UF	Z	M
C4695,96			CE04EW1C220M	ELECTRO 22UF 16WV	M	
C4701,02			CK73FB1H104Z	CHIP C 0.10UF	Z	
C4751			CK73FB1H104Z	CHIP C 0.10UF	Z	
C4752			CE04EW0J101M	ELECTRO 100UF 6.3WV		
C4753			CK73FB1H104Z	CHIP C 0.10UF	Z	KK1Y
C4761			CC73FCH1H271J	CHIP C 270PF	J	
C4763			CK73FB1H104Z	CHIP C 0.10UF	Z	
C4764			CE04EW1H4R7M	ELECTRO 4.7UF 50WV		
C4771			CK73FB1H103Z	CHIP C 0.010UF	Z	KK1Y
C4771			CK73FB1H104Z	CHIP C 0.10UF	Z	M
C4772			CC73FCH1H470J	CHIP C 47PF	J	KK1Y
C4772,73			CC73FCH1H151J	CHIP C 150PF	J	M
C4773			CC73FCH1H820J	CHIP C 82PF	J	KK1Y
C4774			CK73FB1H102J	CHIP C 1000PF	J	M
C4774			CK73FB1H104Z	CHIP C 0.10UF	Z	KK1Y
C4781			CE04EW1H4R7M	ELECTRO 4.7UF 50WV		
C4782			CK73FB1H104Z	CHIP C 0.10UF	Z	
C4901			CE04KW1C470M	ELECTRO 47UF 16WV		
C4911			CE04KW1E221M	ELECTRO 220UF 25WV		
C4912			CE04KW1C470M	ELECTRO 47UF 16WV		
C4951			CK73FB1H103K	CHIP C 0.010UF	K	M
C4952			CK73FB1H222K	CHIP C 2200PF	K	M
C4953			CK73FB1H223K	CHIP C 0.022UF	K	M
C4954,55			CK73FB1H104Z	CHIP C 0.10UF	Z	M

L : Scandinavia K : USA P : Canada R : Mexico C : China I : Malaysia DV-303 : K ,DV-303(S) : K1  
Y : PX(Far East,Hawaii) T : England E : Europe G : Germany V : China(Shanghai) DVF-5020 : Y ,DVF-K5020 :M  
Y : AAFES(Europe) X : Australia Q : Russia H : Korea M : Other Areas  $\Delta$  indicates safety critical components .

\* New Parts  
Parts without **Parts No.** are not supplied.  
Les articles non mentionnés dans le **Parts No.** ne sont pas fournis.  
Teile ohne **Parts No.** werden nicht geliefert.

6

Ref. No	Add-ress	New Parts	Parts No.	Description	Desti-nation	Re-marks
C4956			CK73FB1H472K	CHIP C 4700PF	K	M
C4957			CK73FB1H104Z	CHIP C 0.10UF	Z	M
C4958,59			CK73FB1H224Z	CHIP C 0.22UF	Z	M
C4960			CK73FB1H223K	CHIP C 0.022UF	K	M
C4961			CK73FB1H472K	CHIP C 4700PF	K	M
C4962			CK73FB1H104Z	CHIP C 0.10UF	Z	M
C4963			CK73FB1H223K	CHIP C 0.022UF	K	M
C4964			CK73FB1H104Z	CHIP C 0.10UF	Z	M
C4965			CK73FB1H333K	CHIP C 0.033UF	K	M
C4966			CK73FB1H103K	CHIP C 0.010UF	K	M
C4967			CK73FB1H222K	CHIP C 2200PF	K	M
C4968			CE04EW1H010M	ELECTRO 1.0UF 50WV	M	
C4969,70			CE04EW0J470M	ELECTRO 47UF 6.3WV	M	
C4971			CE04EW1H010M	ELECTRO 1.0UF 50WV	M	
C4972			CE04EW1C100M	ELECTRO 10UF 16WV	M	
C4973,74			CE04EW1A101M	ELECTRO 100UF 10WV	M	
C4975			CK73FB1H683K	CHIP C 0.068UF	K	M
C4976			CC73FCH1H390J	CHIP C 39PF	J	M
C4977,78			CK73FB1H104Z	CHIP C 0.10UF	Z	M
C4979			CE04EW1H4R7M	ELECTRO 4.7UF 50WV	M	
C4980			CE04EW1H010M	ELECTRO 1.0UF 50WV	M	
C5201		*	C90-3924-08	ELECTRO 47UF 6.3WV		
C5202		*	C90-3877-08	CHIP TAN 10UF 10WV		
C5203-06			CK73GB1C104K	CHIP C 0.10UF	K	
C5207		*	C90-3925-08	ELECTRO 10UF 16WV		
C5208			C90-3879-08	CHIP TAN 10UF 16WV		
C5209			CC73GCH1H101J	CHIP C 100PF	J	
C5210			CK73GB1C104K	CHIP C 0.10UF	K	
C5211			CC73GCH1H560J	CHIP C 56PF	J	
C5212			CC73GCH1H101J	CHIP C 100PF	J	
C5213			CK73GB1C104K	CHIP C 0.10UF	K	
C5214		*	C90-3880-08	CHIP C 0.18UF	K	
C5215			CK73GB1C104K	CHIP C 0.10UF	K	
C5216			CK73GB1C104Z	CHIP C 0.10UF	Z	
C5217			CK73GB1A224K	CHIP C 0.22UF	K	
C5218,19			CK73GB1C104K	CHIP C 0.10UF	K	
C5220			CK73GB1H222K	CHIP C 2200PF	K	
C5221			CK73GB1H392K	CHIP C 3900PF	K	
C5222			CK73GB1C104K	CHIP C 0.10UF	K	
C5223			CC73GCH1H820J	CHIP C 82PF	J	
C5224			CK73GB1C104K	CHIP C 0.10UF	K	
C5225			CK73GB1C104Z	CHIP C 0.10UF	Z	
C5226			CK73GB1C104K	CHIP C 0.10UF	K	
C5227,28			CK73GB1H104Z	CHIP C 0.10UF	Z	
C5229		*	C90-3881-08	CHIP C 220PF	J	
C5230			CK73GB1C104K	CHIP C 0.10UF	K	
C5231			CK73EB1A335K	CHIP C 3.3UF	K	
C5232		*	C90-3882-08	ELECTRO 33UF 6.3WV		
C5233		*	C90-3883-08	CHIP C 0.33UF	K	
C5234		*	C90-3882-08	ELECTRO 33UF 6.3WV		
C5235			CK73EB1A335K	CHIP C 3.3UF	K	
C5236			CK73GB1C104K	CHIP C 0.10UF	K	
C5237			CC73GCH1H102K	CHIP C 1000PF	K	
C5238			CK73GB1A224K	CHIP C 0.22UF	K	
C5239-41			CK73GB1C104Z	CHIP C 0.10UF	Z	

L : Scandinavia K : USA P : Canada R : Mexico C : China I : Malaysia DV-303 : K ,DV-303(S) : K1  
Y : PX(Far East,Hawaii) T : England E : Europe G : Germany V : China(Shanghai) DVF-5020 : Y ,DVF-K5020 :M  
Y : AAFES(Europe) X : Australia Q : Russia H : Korea M : Other Areas  $\Delta$  indicates safety critical components .

\* New Parts  
 Parts without **Parts No.** are not supplied.  
 Les articles non mentionnés dans le **Parts No.** ne sont pas fournis.  
 Teile ohne **Parts No.** werden nicht geliefert.

7

Ref. No	Add-ress	New Parts	Parts No.	Description	Desti-nation	Re-marks
C5242			CC73GCH1H121J	CHIP C		
C5243,44			CC73GCH1H221J	CHIP C		
C5245,46			CK73GB1C104K	CHIP C		
C5247,48			CK73GB1C104Z	CHIP C		
C5249		*	C90-3884-08	CHIP C		
C5250-52			CK73GB1C104Z	CHIP C		
C6001			CE04EW0J331M	ELECTRO		
C6002			CK73FB1H104Z	CHIP C		
C6003			CE04EW1H100M	ELECTRO		
C6003			CE04EW1H330M	ELECTRO		
C6004			CK73FB1H104Z	CHIP C		
C6005			CE04EW0J470M	ELECTRO		
C6006			CK73FB1H104Z	CHIP C		
C6007			CK73FB1H104Z	CHIP C		
C6010			CK73FB1H104Z	CHIP C		
C6011			CC73FCH1H221J	CHIP C		
C6013,14			CK73FB1H104Z	CHIP C		
C6015			CE04EW0J331M	ELECTRO		
C6021			CK73FB1H103Z	CHIP C		
C6041-43			CK73FB1H103Z	CHIP C		
C6044,45			CK73FB1H104Z	CHIP C		
C6201,02			CK73GB1C104Z	CHIP C		
C6203			C90-3882-08	ELECTRO		
C6204-07			CK73GB1C104Z	CHIP C		
C6251			CK73GB1C104Z	CHIP C		
C6252		*	C90-3882-08	ELECTRO		
C6253		*	C90-3923-08	ELECTRO		
C6254		*	C90-3885-08	ELECTRO		
C6255		*	CK73GB1H103K	CHIP C		
C6301		*	CC73GCH1H101J	CHIP C		
C6302			CK73GB1C104K	CHIP C		
C6303,04			CK73GB1C104Z	CHIP C		
C6501			C90-3882-08	ELECTRO		
C6502,03			CK73GB1C104Z	CHIP C		
C6504,05			CK73FB1H104Z	CHIP C		
C6504,05		*	C90-3886-08	CHIP C		
C6506		*	C90-3877-08	CHIP TAN		
C6507		*	CK73GB1C104Z	CHIP C		
C6508			CK73GB1C104Z	CHIP C		
C6511			CK73GB1C104Z	CHIP C		
C6512		*	C90-3877-08	CHIP TAN		
C6513		*	CK73GB1C104Z	CHIP C		
C6514		*	C90-3882-08	ELECTRO		
C6521,22			CK73GB1C104Z	CHIP C		
C6541,42			CC73GCH1H120J	CHIP C		
C6544			CK73GB1C104K	CHIP C		
C6564,65			CK73GB1C104Z	CHIP C		
C6584,85			CK73GB1C104Z	CHIP C		
C6601			CK73GB1C104Z	CHIP C		
C7001,02		*	C90-3923-08	ELECTRO		
C7003-19		*	C90-3887-08	CHIP C		
C7020		*	C90-3888-08	CHIP C		
C7301,02			CK73GB1C104Z	CHIP C		
D1001		*	ENC221D5ATRB	DIODE		
D1001		*	ENC471D5ATRB	DIODE		

L : Scandinavia K : USA P : Canada R : Mexico C : China I : Malaysia DV-303 : K ,DV-303(S) : K1  
 Y : PX(Far East,Hawaii) T : England E : Europe G : Germany V : China(Shanghai) DVF-5020 : Y ,DVF-K5020 : M  
 Y : AAFES(Europe) X : Australia Q : Russia H : Korea M : Other Areas Δ indicates safety critical components .

\* New Parts  
 Parts without **Parts No.** are not supplied.  
 Les articles non mentionnés dans le **Parts No.** ne sont pas fournis.  
 Teile ohne **Parts No.** werden nicht geliefert.

9

Ref. No	Add-ress	New Parts	Parts No.	Description	Desti-nation	Re-marks
Δ D1002		*	ENC471D5ATUB	DIODE		
D1011		*	S1WBA80	DIODE		
D1021		*	AP01C	DIODE		
D1022		*	RD100E	ZENER DIODE		
D1031			AU01Z	DIODE		
D1032		*	MA7300B	DIODE		
D1041			MA165	DIODE		
D1042			MA165	DIODE		
D1051			MA700	DIODE		
D1052		*	MA4200H	DIODE		
D1111		*	MA7D49	DIODE		
D1111		*	MA7D50	DIODE		
D1111		*	MA7D55	DIODE		
D1121			11ES1	DIODE		
D1131		*	11EQS06	DIODE		
D1131			11EQS10	DIODE		
D1141		*	11EQS06	DIODE		
D1141			11EQS10	DIODE		
D1151,52		*	11EQS06	DIODE		
D1151,52			11EQS10	DIODE		
D1161			AU01Z	DIODE		
D1162		*	MA4030	DIODE		
D1162		*	MA4030M	DIODE		
D1171		*	AK04	DIODE		
D3001		*	MA8030-H	DIODE		
D3002			MA111	DIODE		
D3071			MA111	DIODE		
D4301			MA152WA	DIODE		
D4591			1SS355	DIODE		
D4592			MA3047M	ZENER DIODE		
D4593			1SS355	DIODE		
D4594		*	MA152A	DIODE		
D4594			MA152K	DIODE		
D4595			MA152WA	DIODE		
D4596		*	MA153A	DIODE		
D4597			1SS355	DIODE		
D4901		*	AK04WS	DIODE		
D4951,52			MA152A	DIODE		
D4953			MA3047M	ZENER DIODE		
D6001		*	AK04WS	DIODE		
D6002-04			1SS355	DIODE		
D6013,14		*	LN28RCPL	DIODE		
D6311			MA728	DIODE		
D6511			MA111	DIODE		
Δ DL6001		*	VSL0519	DISPLAY TUBE		
Δ DZ1001		*	VSQ1003	SURGE ABSORBER		
F1001		*	F50-0165-08	FUSE		
F1001		*	F50-0167-08	FUSE		
FL3501		*	B11-1502-08	FILTER		
FL3511		*	B11-1503-08	FILTER		
FL3561		*	B11-1504-08	FILTER		
FL6251-54			L92-0087-08	FILTER		
FP2511			E40-8545-08	CONNECTOR 7P		
FP2601			E40-8545-08	CONNECTOR 7P		
FP4692		*	E40-8547-08	CONNECTOR 6P		

L : Scandinavia K : USA P : Canada R : Mexico C : China I : Malaysia DV-303 : K ,DV-303(S) : K1  
 Y : PX(Far East,Hawaii) T : England E : Europe G : Germany V : China(Shanghai) DVF-5020 : Y ,DVF-K5020 : M  
 Y : AAFES(Europe) X : Australia Q : Russia H : Korea M : Other Areas Δ indicates safety critical components .

PARTS LIST

DV-303/DVF-5020/K5020

\* New Parts  
Parts without **Parts No.** are not supplied.  
Les articles non mentionnés dans le **Parts No.** ne sont pas fournis.  
Teile ohne **Parts No.** werden nicht geliefert.



Ref. No	Add-ress	New Parts	Parts No.	Description	Desti-nation	Re-marks
FP4701		*	E40-8591-08	CONNECTOR 17P VJS3537A017G	M	
FP4721		*	E40-8591-08	CONNECTOR 17P VJS3537A017G	M	
FP6002		*	E40-8546-08	CONNECTOR 6P VJS3537B006G	KK1Y	
FP6401		*	E40-8547-08	CONNECTOR 6P VJS3537A006G	KK1Y	
FP6411		*	E40-8547-08	CONNECTOR 6P VJS3537A006G	M	
IC1021		*	STRM6559LF	IC	MY	
IC1021		*	STRM6559LF14	IC	KK1	
IC1101		*	UPC1093J	IC(REGULATOR)		
IC1121		*	PQ3RD13	IC		
IC1151		*	SI-3090FLF11	IC		
IC2001		*	MN67705EA	IC		
IC2501		*	AN8485SB	IC		
IC2511		*	BA5983FM	IC(ANALOGUE IC)		
IC3001		*	MN677511DD	IC	K1Y	
IC3001		*	MN677511DE	IC	KM	
IC3051		*	MNX7160BT1	IC		
IC3061		*	HM5241605T12	IC	M	
IC3071		*	PQ1R33	IC		
IC3531		*	AN3581S	IC		
IC3581		*	BA7660FS	IC	KK1Y	
IC4201		*	PCM1716E	IC(DAC)	KK1Y	
IC4201		*	PCM1734UB	IC(DAC)	M	
IC4241		*	TC7ST04FU	IC	M	
IC4251		*	BU2092F	IC	M	
IC4266		*	TC74HCT7007A	IC	M	
IC4271-73		*	TC7ST08FU	IC	KK1Y	
IC4306		*	NJM4580M	IC		
IC4461		*	NJM4580M	IC		
IC4671		*	NJM4580M	IC	M	
IC4691		*	NJM4580M	IC	M	
IC4751		*	TC7W04F	IC(INVERTER)	M	
IC4751		*	TC7W08F	IC	KK1Y	
IC4752		*	AHCT1G08DBV	IC	KK1Y	
IC4781		*	W02-2736-08	OPTICAL RECEIVING,TOTX178A		
IC4901		*	PQ09DZ1U	IC		
IC4951		*	M65850FP	IC	M	
IC4952.53		*	NJM4558M	IC(OP AMP X2)	M	
IC5201		*	RN5RZ20BA-TR	IC	KK1Y	
IC5201		*	RN5RZ33BA	IC	M	
IC5202		*	AN8706FHQ	IC		
IC6001		*	MN1872423CE	IC		
IC6002		*	PST7040-MT	IC	M	
IC6002		*	S80840ANNP	IC	KK1Y	
IC6003		*	PNA4611M02VT	IR RECEIVER UNIT		
IC6004.05		*	AHCT1G08DBV	IC		
IC6201		*	MN102L25DFA	IC		
IC6301		*	PST596JNR	IC		
IC6302		*	JZS0649462C	IC	K	
IC6302		*	JZS0649497C	IC	K1MY	
IC6303		*	AT25020NS127	IC	K1MY	
IC6303		*	X25020S-2R7	IC	K	
IC6501		*	BU2185F	IC		
IC6511		*	PQ1R33	IC		
IC6521		*	TC7WH157FU	IC		
IC6522		*	TC7SHU04FU	IC(INVERTER)	KK1Y	

L: Scandinavia K: USA P: Canada R: Mexico C: China I: Malaysia DV-303: K ,DV-303(S): K1  
Y: PX(Far East,Hawaii) T: England E: Europe G: Germany V: China(Shanghai) DVF-5020: Y ,DVF-K5020: M  
Y: AAFES(Europe) X: Australia Q: Russia H: Korea M: Other Areas indicates safety critical components.

\* New Parts  
Parts without **Parts No.** are not supplied.  
Les articles non mentionnés dans le **Parts No.** ne sont pas fournis.  
Teile ohne **Parts No.** werden nicht geliefert.



Ref. No	Add-ress	New Parts	Parts No.	Description	Desti-nation	Re-marks
IC6522		*	TC7WH74FU	IC	M	
IC6542		*	AHC1GU04HDCK	IC		
IC6562		*	AHC1GU04HDCK	IC		
IC6563		*	TC7WH74FU	IC		
IC6582		*	AHC1GU04HDCK	IC		
IC6583		*	TC7WH74FU	IC		
IC7001		*	MN103007BGA	IC		
IC7301		*	TC7SH08FU	IC(2ch AND GATE)		
IC7302		*	TC7SH32FU	IC		
J4672.73		*	E11-0912-08	MIC JACK VJJ0584	M	
JK3541		*	E40-8534-08	Y/C CONNECTOR-1,VJJ0544		
JK3591		*	E63-1133-08	PIN JACK (3P) VJJ0598	KK1Y	
JK4501		*	E63-1134-08	RCA JACK (6P) VJJ0644		
JK4771		*	E63-1135-08	PIN JACK (1P) VJJ0537-B	KM	
JK4771		*	E63-1152-08	PIN JACK (1P) VJJ0537	K1Y	
K3203		*	RK73GB1J000J	CHIP R 0.0 J 1/16W	KK1Y	
K3201		*	RK73GB1J000J	CHIP R 0.0 J 1/16W	M	
K3203		*	RK73GB1J000J	CHIP R 0.0 J 1/16W	M	
K4201		*	RK73FB2A000J	CHIP R 0.0 J 1/10W	M	
K4201-03		*	RK73GB1J000J	CHIP R 0.0 J 1/16W	KK1Y	
K4232		*	RK73FB2A000J	CHIP R 0.0 J 1/10W	M	
K4241		*	RK73FB2A000J	CHIP R 0.0 J 1/10W	M	
K4591		*	RK73FB2A000J	CHIP R 0.0 J 1/10W	KK1Y	
K5201-05		*	RK73GB1J000J	CHIP R 0.0 J 1/16W		
K6003		*	RK73FB2A000J	CHIP R 0.0 J 1/10W		
K6008		*	RK73FB2A000J	CHIP R 0.0 J 1/10W		
K6009		*	RK73FB2A000J	CHIP R 0.0 J 1/10W	KK1Y	
K6010		*	RK73FB2A000J	CHIP R 0.0 J 1/10W	M	
K6021.22		*	RK73FB2A000J	CHIP R 0.0 J 1/10W		
K6541.2		*	RK73GB1J000J	CHIP R 0.0 J 1/16W	M	
K7002		*	RK73GB1J000J	CHIP R 0.0 J 1/16W	M	
L1001.02		*	L79-1257-08	LINE FILTER ELF15N005A		
L1111		*	L90-0332-08	COIL VLQ0611K100	KK1	
L1111		*	L90-0349-08	COIL VLQ0655K100	MY	
L1112		*	L33-0595-08	INDUCTOR ELELN100KA		
L1131		*	L90-0333-08	COIL VLQEL05S330K		
L1141		*	L90-0333-08	COIL VLQEL05S330K		
L1151		*	L90-0334-08	COIL VLQ0611K220	KK1	
L1151		*	L90-0350-08	COIL VLQ0655K220	MY	
L2001.02		*	L33-0572-08	COIL VLQ0779K100	M	
L2001.02		*	L90-0335-08	COIL ELJFA100KB	KK1Y	
L2501		*	R90-1308-08	CHIP R 0.0 J 1/4W		
L3001		*	R90-1308-08	CHIP R 0.0 J 1/4W		
L3281		*	L33-0572-08	COIL VLQ0779K100	M	
L3281		*	L90-0335-08	COIL ELJFA100KB	KK1Y	
L3501		*	L33-0596-08	INDUCTOR ELESE220JA	KK1Y	
L3501		*	L90-0336-08	INDUCTOR VLQEL05S220J	M	
L3531.32		*	L33-0596-08	INDUCTOR ELESE220JA	KK1Y	
L3531.32		*	L90-0336-08	INDUCTOR VLQEL05S220J	M	
L3551		*	L90-0336-08	COIL VLQEL05S220J	KK1Y	
L3581		*	L33-0596-08	INDUCTOR ELESE220JA	KK1Y	
L4201		*	L90-0337-08	COIL ELJFA220KB	KK1Y	
L4201		*	L90-0351-08	COIL VLQEL05S101J	M	
L4761		*	L90-0338-08	COIL ELJNDR10JF		
L4781		*	L90-0336-08	COIL VLQEL05S220J		

L: Scandinavia K: USA P: Canada R: Mexico C: China I: Malaysia DV-303: K ,DV-303(S): K1  
Y: PX(Far East,Hawaii) T: England E: Europe G: Germany V: China(Shanghai) DVF-5020: Y ,DVF-K5020: M  
Y: AAFES(Europe) X: Australia Q: Russia H: Korea M: Other Areas indicates safety critical components.

\* New Parts  
 Parts without **Parts No.** are not supplied.  
 Les articles non mentionnés dans le **Parts No.** ne sont pas fournis.  
 Teile ohne **Parts No.** werden nicht geliefert.

17

Ref. No	Add-ress	New Parts	Parts No.	Description	Desti-nation	Re-marks
L5201,02		*	L33-0572-08	COIL VLQ0779K100	M	
L5201,02		*	L90-0335-08	COIL ELJFA100KB	KK1Y	
L6001		*	L33-0597-08	INDUCTOR ELESE101JA	KK1Y	
L6001		*	L90-0351-08	COIL VLQEL05S101J	M	
L6002		*	L33-0598-08	INDUCTOR ELESE221JA	KK1Y	
L6002		*	L90-0352-08	COIL VLQEL05S221J	M	
L6003		*	L90-0351-08	COIL VLQEL05S101J	M	
L6004		*	L90-0353-08	COIL VLQEL05S470J	M	
L6005		*	L90-0351-08	COIL VLQEL05S101J	M	
L6006,07		*	L90-0353-08	COIL VLQEL05S470J	M	
L6008		*	L90-0351-08	COIL VLQEL05S101J	M	
L6201			R90-1308-08	CHIP R 0.0 J 1/4W		
L6501,02		*	L90-0337-08	COIL ELJFA220KB		
L7001		*	L33-0572-08	COIL VLQ0779K100	M	
L7001		*	L90-0335-08	COIL ELJFA100KB	KK1Y	
L7002			R90-1308-08	CHIP R 0.0 J 1/4W		
LB1021,22		*	L90-0339-08	COIL VLP0083		
LB1024		*	L90-0340-08	COIL VLP0056		
LB2501-08		*	L90-0341-08	CHIP INDUCTOR VLP0323A601T		
LB2509-13		*	L90-0342-08	COIL JALBK2HS470T		
LB2514,15		*	L90-0341-08	CHIP INDUCTOR VLP0323A601T	M	
LB2516		*	L90-0341-08	CHIP INDUCTOR VLP0323A601T		
LB2517		*	L90-0341-08	CHIP INDUCTOR VLP0323A601T		
LB2518-21		*	L90-0342-08	COIL JALBK2HS470T		
LB3001		*	L92-0084-08	COIL VLP0155	M	
LB3201,02		*	L90-0341-08	CHIP INDUCTOR VLP0323A601T		
LB3203-05		*	L90-0341-08	CHIP INDUCTOR VLP0323A601T	KK1Y	
LB3206-09		*	L90-0341-08	CHIP INDUCTOR VLP0323A601T	M	
LB3543-46		*	L90-0343-08	COIL VLP0145		
LB3591-93		*	L90-0343-08	COIL VLP0145	KK1Y	
LB4001-03			L92-0084-08	COIL VLP0155	M	
LB4001-04		*	L90-0341-08	CHIP INDUCTOR VLP0323A601T	KK1Y	
LB4006,07		*	L90-0341-08	CHIP INDUCTOR VLP0323A601T	M	
LB4008		*	L90-0341-08	CHIP INDUCTOR VLP0323A601T		
LB4010,11		*	L90-0341-08	CHIP INDUCTOR VLP0323A601T		
LB4012		*	L90-0341-08	CHIP INDUCTOR VLP0323A601T	KK1Y	
LB4013,14		*	L90-0341-08	CHIP INDUCTOR VLP0323A601T		
LB4016-19		*	L90-0341-08	CHIP INDUCTOR VLP0323A601T	M	
LB4201			RK73GB1J000J	CHIP R 0.0 J 1/16W	KK1Y	
LB4241		*	L90-0354-08	COIL VLP0153	M	
LB4271			L92-0085-08	COIL VLP0157	KK1Y	
LB4501		*	L90-0343-08	COIL VLP0145		
LB4511		*	L90-0343-08	COIL VLP0145		
LB4561		*	L90-0343-08	COIL VLP0145		
LB4571		*	L90-0343-08	COIL VLP0145		
LB4672,73		*	L90-0343-08	COIL VLP0145	M	
LB4771,72		*	L90-0345-08	CHIP BEAD VLF1148A121		
LB5201		*	L90-0341-08	CHIP INDUCTOR VLP0323A601T	M	
LB5201			RK73GB1J000J	CHIP R 0.0 J 1/16W	KK1Y	
LB5202		*	L90-0341-08	CHIP INDUCTOR VLP0323A601T		
LB5203		*	L90-0342-08	COIL JALBK2HS470T		
LB5204-10		*	L90-0341-08	CHIP INDUCTOR VLP0323A601T		
LB5211		*	L90-0342-08	COIL JALBK2HS470T		
LB5212-14		*	L90-0341-08	CHIP INDUCTOR VLP0323A601T		
LB5215		*	L90-0342-08	COIL JALBK2HS470T		

L: Scandinavia K: USA P: Canada R: Mexico C: China I: Malaysia DV-303: K ,DV-303(S): K1  
 Y: PX(Far East,Hawaii) T: England E: Europe G: Germany V: China(Shanghai) DVF-5020: Y ,DVF-K5020 :M  
 Y: AAFES(Europe) X: Australia Q: Russia H: Korea M: Other Areas Δ indicates safety critical components.

\* New Parts  
 Parts without **Parts No.** are not supplied.  
 Les articles non mentionnés dans le **Parts No.** ne sont pas fournis.  
 Teile ohne **Parts No.** werden nicht geliefert.

12

Ref. No	Add-ress	New Parts	Parts No.	Description	Desti-nation	Re-marks
LB5216		*	L90-0341-08	CHIP INDUCTOR VLP0323A601T		
LB5217		*	L90-0342-08	COIL JALBK2HS470T		
LB5218		*	L90-0341-08	CHIP INDUCTOR VLP0323A601T		
LB5219		*	L90-0342-08	COIL JALBK2HS470T		
LB6011-16		*	L90-0354-08	CHIP VLP0153	M	
LB6213			L92-0084-08	COIL VLP0155	M	
LB6213			L92-0085-08	COIL VLP0157	KK1Y	
LB6501,02		*	L90-0341-08	CHIP INDUCTOR VLP0323A601T		
LB6504			L92-0084-08	COIL VLP0155	M	
LB6504			L92-0085-08	COIL VLP0157	KK1Y	
LB6511		*	L90-0341-08	CHIP INDUCTOR VLP0323A601T		
LB6521		*	L90-0341-08	CHIP INDUCTOR VLP0323A601T		
LB6522			L92-0084-08	COIL VLP0155	M	
LB6522			L92-0085-08	COIL VLP0157	KK1Y	
LB6523		*	L90-0341-08	CHIP INDUCTOR VLP0323A601T		
LB6525			L92-0085-08	COIL VLP0157	KK1Y	
LB6525,26			L92-0084-08	COIL VLP0155	M	
LB6542		*	L90-0341-08	CHIP INDUCTOR VLP0323A601T		
LB6543			L92-0084-08	COIL VLP0155	M	
LB6543			L92-0085-08	COIL VLP0157	KK1Y	
LB6562		*	L90-0341-08	CHIP INDUCTOR VLP0323A601T		
LB6563,4			L92-0085-08	COIL VLP0157	KK1Y	
LB6563,64			L92-0084-08	COIL VLP0155	M	
LB6565		*	L90-0341-08	CHIP INDUCTOR VLP0323A601T		
LB6582			L92-0084-08	COIL VLP0155	M	
LB6582			L92-0085-08	COIL VLP0157	KK1Y	
LB6583		*	L90-0341-08	CHIP INDUCTOR VLP0323A601T		
LB6584			L92-0084-08	COIL VLP0155	M	
LB6584			L92-0085-08	COIL VLP0157	KK1Y	
LB6585		*	L90-0341-08	CHIP INDUCTOR VLP0323A601T		
LB6586			L92-0084-08	COIL VLP0155	M	
LB6586			L92-0085-08	COIL VLP0157	KK1Y	
P1001		*	E40-8535-08	CONNECTOR (FL) VJS2986		
P1001		*	E40-8593-08	CONNECTOR (FL) VJS3166		
PF2501		*	E40-8590-08	CONNECTOR 17P VJS4241B017W		
PF5201		*	E40-8592-08	CONNECTOR 21P VJS3913A021		
PP1101		*	E40-8536-08	CONNECTOR (ML)18P,VJP4223E018B		
PP3201		*	E40-8537-08	CONNECTOR (ML)22P,VJP4284A022B	KK1Y	
PP3201		*	E40-8594-08	CONNECTOR (ML)26P,VJP4222E026B	M	
PP4201		*	E40-8537-08	CONNECTOR (ML)22P,VJP4284A022B	KK1Y	
PP4201		*	E40-8594-08	CONNECTOR (ML)26P,VJP4222E026B	M	
PR1161		*	F09-0147-08	IC PROTECTOR VSF0015A025		
PR1171		*	F50-0163-08	IC PROTECTOR VSF0015A10		
PR4911		*	F50-0163-08	IC PROTECTOR VSF0015A10		
PS1101		*	E40-8538-08	CONNECTOR (FL)18P,VJS4223A018T	K	
PS1101		*	E40-8596-08	CONNECTOR (FL)18P,VJS4223A018	K1MY	
PS3201		*	E40-8539-08	CONNECTOR (FL)22P,VJS4222C022B	KK1Y	
PS3201		*	E40-8597-08	CONNECTOR (FL)26P,VJS4222A026B	M	
PS4201		*	E40-8539-08	CONNECTOR (FL)22P,VJS4222C022B	KK1Y	
PS4201		*	E40-8597-08	CONNECTOR (FL)26P,VJS4222A026B	M	
PS6201		*	E40-8540-08	CONNECTOR (FL)10P,VJS2961A010		
Q1041		*	PS2561L1	PHOTO COUPLER PS2561L1	MY	
Q1041		*	T95-0170-08	PHOTO COUPLER PS2501-1H	KK1	
Q1111		*	2SJ525	TRANSISTOR		
Q3201		*	2SB1218A	TRANSISTOR		

L: Scandinavia K: USA P: Canada R: Mexico C: China I: Malaysia DV-303: K ,DV-303(S): K1  
 Y: PX(Far East,Hawaii) T: England E: Europe G: Germany V: China(Shanghai) DVF-5020: Y ,DVF-K5020 :M  
 Y: AAFES(Europe) X: Australia Q: Russia H: Korea M: Other Areas Δ indicates safety critical components.

PARTS LIST

DV-303/DVF-5020/K5020



\* New Parts  
Parts without **Parts No.** are not supplied.  
Les articles non mentionnés dans le **Parts No.** ne sont pas fournis.  
Teile ohne **Parts No.** werden nicht geliefert.



Ref. No	Add-ress	New Parts	Parts No.	Description	Desti-nation	Re-marks
Q3211			2SB1218A	TRANSISTOR		
Q3221			2SB1218A	TRANSISTOR	KK1Y	
Q3231			2SB1218A	TRANSISTOR	KK1Y	
Q3501			2SB709A	TRANSISTOR		
Q3502			2SD601A	TRANSISTOR		
Q3503			2SB709A	TRANSISTRR		
Q3511			2SB709A	TRANSISTOR		
Q3512			2SD601A	TRANSISTOR		
Q3513			2SB709A	TRANSISTOR		
Q3561			2SD601A	TRANSISTOR	KK1Y	
Q3571			2SD601A	TRANSISTOR	KK1Y	
Q3603		*	2SA1022-B	TRANSISTOR	M	
Q4301			2SD1328	TRANSISTOR	M	
Q4303		*	2SJ498CTA	TRANSISTOR	M	
Q4311			2SD1328	TRANSISTOR	M	
Q4313		*	2SJ498CTA	TRANSISTOR	M	
Q4501			2SD1328	TRANSISTOR	M	
Q4505			2SD601A	TRANSISTOR	M	
Q4511			2SD1328	TRANSISTOR	M	
Q4515			2SD601A	TRANSISTRR	M	
Q4561			2SD1328	TRANSISTOR		
Q4562			2SD601A	TRANSISTOR	M	
Q4571			2SD1328	TRANSISTOR		
Q4572			2SD601A	TRANSISTOR	M	
Q4901			2SB709A-R	TRANSISTOR		
Q4911			2SB1434	TRANSISTOR		
Q4912		*	2SB1320A-R	TRANSISTOR		
Q4913			2SD601A	TRANSISTOR		
Q5201			2SB1115-T	TRANSISTOR		
Q6009		*	2SD1996-S	TRANSISTOR		
QR1111			UN4213	TRANSISTOR-RESISTOR		
QR2001			UN5213	TRANSISTOR-RESISTOR		
QR2501,02		*	XP1213	TRANSISTOR-RESISTOR		
QR2503			UN5213	TRANSISTOR-RESISTOR		
QR3581			UN2212	TRANSISTOR-RESISTOR	KK1Y	
QR4302			UN2111	TRANSISTOR-RESISTOR	M	
QR4303			UN2212	TRANSISTOR-RESISTOR	M	
QR4311			UN2212	TRANSISTOR-RESISTOR	M	
QR4501			UN2111	TRANSISTOR-RESISTOR	M	
QR4591			UN2211	TRANSISTOR-RSEISTOR	M	
QR4592		*	UN2115	TRANSISTOR-RESISTOR		
QR4593			UN2211	TRANSISTOR-RESISTOR		
QR4594,95			UN2111	TRANSISTOR-RESISTOR		
QR4951			UN2211	TRANSISTOR-RESISTOR	M	
QR5201,02			UN5212	TRANSISTOR-RESISTOR		
QR5203			UN5112	TRANSISTOR-RESISTOR		
QR6002,03			DTA123JK	TRANSISTOR-RESISTOR		
QR6004			UN2212	TRANSISTOR-RESISTOR		
QR6008			UN2111	TRANSISTOR-RESISTOR		
QR6311			UN5212	TRANSISTOR-RESISTOR		
△ R1001		*	R92-1929-08	RD	6.8M	K 1/2W
R1002			RD14BB2H334K	RD	330K	K 1/2W
R1021		*	R92-1930-08	METAL FI	39K	J 1W
R1023		*	R92-1931-08	METAL FI	0.82	J 1W
R1033			RD14BB2H100J	RD	10	J 1/2W

L : Scandinavia K : USA P : Canada R : Mexico C : China I : Malaysia DV-303 : K ,DV-303(S) : K1  
Y : PX(Far East,Hawaii) T : England E : Europe G : Germany V : China(Shanghai) DVF-5020 : Y ,DVF-K5020 :M  
Y : AAFES(Europe) X : Australia Q : Russia H : Korea M : Other Areas △ indicates safety critical components.

\* New Parts  
Parts without **Parts No.** are not supplied.  
Les articles non mentionnés dans le **Parts No.** ne sont pas fournis.  
Teile ohne **Parts No.** werden nicht geliefert.



Ref. No	Add-ress	New Parts	Parts No.	Description	Desti-nation	Re-marks
R1055		*	R92-1932-08	RD	3.9M	J 1/2W
R1056			RD14BB2H475J	RD	4.7M	J 1/2W
R2001			RK73GB1J103J	CHIP R	10K	J 1/16W
R2003			RK73GB1J223J	CHIP R	22K	J 1/16W
R2004			RK73GB1J123J	CHIP R	12K	J 1/16W
R2005			RK73GB1J183J	CHIP R	18K	J 1/16W
R2006			RK73GB1J822J	CHIP R	8.2K	J 1/16W
R2008-10			RK73GB1J473J	CHIP R	47K	J 1/16W
R2011		*	R90-0996-08	RADDER RESISTOR,EXBV4V473J		M
R2012			RK73GB1J472J	CHIP R	4.7K	J 1/16W
R2014			RK73GB1J472J	CHIP R	4.7K	J 1/16W
R2016			RK73GB1J102J	CHIP R	1.0K	J 1/16W
R2018		*	R90-1307-08	RADDER RESISTOR,EXBV8VR000		M
R2019			RK73GB1J000J	CHIP R	0.0	J 1/16W
R2019			RK73GB1J331J	CHIP R	330	J 1/16W
R2020-23			RK73GB1J103J	CHIP R	10K	J 1/16W
R2024			RK73GB1J333J	CHIP R	33K	J 1/16W
R2025			RK73GB1J223J	CHIP R	22K	J 1/16W
R2026			RK73GB1J000J	CHIP R	0.0	J 1/16W
R2027			RK73GB1J123J	CHIP R	12K	J 1/16W
R2028			RK73GB1J473J	CHIP R	47K	J 1/16W
R2029,30			RK73GB1J103J	CHIP R	10K	J 1/16W
R2031			RK73GB1J683J	CHIP R	68K	J 1/16W
R2032			RK73GB1J103J	CHIP R	10K	J 1/16W
R2033			RK73GB1J000J	CHIP R	0.0	J 1/16W
R2034			RK73GB1J103J	CHIP R	10K	J 1/16W
R2035			RK73GB1J333J	CHIP R	33K	J 1/16W
R2036,37			RK73GB1J103J	CHIP R	10K	J 1/16W
R2038			RK73GB1J683J	CHIP R	68K	J 1/16W
R2039			RK73GB1J362J	CHIP R	3.6K	J 1/16W
R2501			RK73GB1J473J	CHIP R	47K	J 1/16W
R2502,03			RK73GB1J183J	CHIP R	18K	J 1/16W
R2504-06			RK73GB1J103J	CHIP R	10K	J 1/16W
R2507,08			RK73GB1J123J	CHIP R	12K	J 1/16W
R2509			RK73GB1J273J	CHIP R	27K	J 1/16W
R2510,11			RK73GB1J271J	CHIP R	270	J 1/16W
R2512			RK73GB1J273J	CHIP R	27K	J 1/16W
R2513			RK73GB1J103J	CHIP R	10K	J 1/16W
R2515		*	R92-1933-08	RD	0.39	J 1/4W
R2516,17			RK73GB1J123J	CHIP R	12K	J 1/16W
R2518,19			RK73GB1J243J	CHIP R	24K	J 1/16W
R2520			RK73GB1J562J	CHIP R	5.6K	J 1/16W
R2521			RK73GB1J563J	CHIP R	56K	J 1/16W
R2522-24			RK73GB1J103J	CHIP R	10K	J 1/16W
R3001			RK73GB1J220J	CHIP R	22	J 1/16W
R3002			RK73GB1J000J	CHIP R	0.0	J 1/16W
R3003			RK73GB1J392J	CHIP R	3.9K	J 1/16W
R3005			RK73GB1J103J	CHIP R	10K	J 1/16W
R3006			RK73GB1J473J	CHIP R	47K	J 1/16W
R3008			RK73GB1J473J	CHIP R	47K	J 1/16W
R3009,10			RK73GB1J221J	CHIP R	220	J 1/16W
R3013			RK73GB1J221J	CHIP R	220	J 1/16W
R3031,32			RK73GB1J752J	CHIP R	7.5K	J 1/16W
R3033			RK73GB1J684J	CHIP R	680K	J 1/16W
R3033			RK73GB1J752J	CHIP R	7.5K	J 1/16W

L : Scandinavia K : USA P : Canada R : Mexico C : China I : Malaysia DV-303 : K ,DV-303(S) : K1  
Y : PX(Far East,Hawaii) T : England E : Europe G : Germany V : China(Shanghai) DVF-5020 : Y ,DVF-K5020 :M  
Y : AAFES(Europe) X : Australia Q : Russia H : Korea M : Other Areas △ indicates safety critical components.

\* New Parts  
 Parts without **Parts No.** are not supplied.  
 Les articles non mentionnés dans le **Parts No.** ne sont pas fournis.  
 Teile ohne **Parts No.** werden nicht geliefert.

15

Ref. No	Address	New Parts	Parts No.	Description	Destination	Remarks
R3035,36			RK73GB1J102J	CHIP R 1.0K J 1/16W		
R3037,38			RK73GB1J102J	CHIP R 1.0K J 1/16W	M	
R3039,40			RK73GB1J102J	CHIP R 1.0K J 1/16W	M	
R3041,42			RK73GB1J102J	CHIP R 1.0K J 1/16W	KK1Y	
R3201			RK73GB1J750J	CHIP R 75 J 1/16W		
R3202			RK73GB1J330J	CHIP R 33 J 1/16W		
R3203			RK73GB1J102J	CHIP R 1.0K J 1/16W		
R3211			RK73GB1J750J	CHIP R 75 J 1/16W		
R3212			RK73GB1J330J	CHIP R 33 J 1/16W		
R3213			RK73GB1J102J	CHIP R 1.0K J 1/16W		
R3221			RK73GB1J750J	CHIP R 75 J 1/16W	KK1Y	
R3222			RK73GB1J330J	CHIP R 33 J 1/16W	KK1Y	
R3223			RK73GB1J102J	CHIP R 1.0K J 1/16W	KK1Y	
R3232			RK73GB1J330J	CHIP R 33 J 1/16W	KK1Y	
R3233			RK73GB1J102J	CHIP R 1.0K J 1/16W	KK1Y	
R3501			RK73FB2A561J	CHIP R 560 J 1/10W		
R3502			RK73FB2A103J	CHIP R 10K J 1/10W		
R3503			RK73FB2A101J	CHIP R 100 J 1/10W		
R3504			RK73FB2A222J	CHIP R 2.2K J 1/10W		
R3505			RK73FB2A330J	CHIP R 33 J 1/10W		
R3506			RK73FB2A182J	CHIP R 1.8K J 1/10W		
R3507			RK73FB2A330J	CHIP R 33 J 1/10W		
R3508			RK73FB2A222J	CHIP R 2.2K J 1/10W		
R3511			RK73FB2A561J	CHIP R 560 J 1/10W		
R3512			RK73FB2A272J	CHIP R 2.7K J 1/10W		
R3514,15			RK73FB2A223J	CHIP R 22K J 1/10W		
R3516			RK73FB2A222J	CHIP R 2.2K J 1/10W		
R3517			RK73FB2A330J	CHIP R 33 J 1/10W		
R3518			RK73FB2A182J	CHIP R 1.8K J 1/10W	KK1Y	
R3518			RK73FB2A331J	CHIP R 330 J 1/10W	M	
R3519			RK73FB2A330J	CHIP R 33 J 1/10W		
R3520			RK73FB2A222J	CHIP R 2.2K J 1/10W		
R3531-33			RK73FB2A102J	CHIP R 1.0K J 1/10W		
R3534			RK73FB2A471J	CHIP R 470 J 1/10W		
R3535			RK73FB2A103J	CHIP R 10K J 1/10W	M	
R3543,44		*	R92-1934-08	CHIP R 71.5 J 1/10W		
R3545,46			RK73FB2A750J	CHIP R 75 J 1/10W		
R3555			RK73FB2A000J	CHIP R 0.0 J 1/10W	KK1Y	
R3556			RK73FB2A333J	CHIP R 33K J 1/10W	KK1Y	
R3557			RK73FB2A682J	CHIP R 6.8K J 1/10W	KK1Y	
R3561			RK73FB2A561J	CHIP R 560 J 1/10W	KK1Y	
R3562			RK73FB2A183J	CHIP R 18K J 1/10W	KK1Y	
R3563			RK73FB2A471J	CHIP R 470 J 1/10W	KK1Y	
R3564			RK73FB2A223J	CHIP R 22K J 1/10W	KK1Y	
R3565			RK73FB2A331J	CHIP R 330 J 1/10W	KK1Y	
R3566			RK73FB2A000J	CHIP R 0.0 J 1/10W	KK1Y	
R3571			RK73FB2A561J	CHIP R 560 J 1/10W	KK1Y	
R3572			RK73FB2A183J	CHIP R 18K J 1/10W	KK1Y	
R3573			RK73FB2A471J	CHIP R 470 J 1/10W	KK1Y	
R3574			RK73FB2A223J	CHIP R 22K J 1/10W	KK1Y	
R3575			RK73FB2A331J	CHIP R 330 J 1/10W	KK1Y	
R3576			RK73FB2A000J	CHIP R 0.0 J 1/10W	KK1Y	
R3581			RK73FB2A102J	CHIP R 1.0K J 1/10W	KK1Y	
R3582			RK73FB2A682J	CHIP R 6.8K J 1/10W	KK1Y	
R3583			RK73FB2A102J	CHIP R 1.0K J 1/10W	KK1Y	

L : Scandinavia K : USA P : Canada R : Mexico C : China I : Malaysia DV-303 : K ,DV-303(S) : K1  
 Y : P(Far East,Hawaii) T : England E : Europe G : Germany V : China(Shanghai) DVF-5020 : Y ,DVF-K5020 : M  
 Y : AAFES(Europe) X : Australia Q : Russia H : Korea M : Other Areas ⚠ indicates safety critical components.

\* New Parts  
 Parts without **Parts No.** are not supplied.  
 Les articles non mentionnés dans le **Parts No.** ne sont pas fournis.  
 Teile ohne **Parts No.** werden nicht geliefert.

16

Ref. No	Address	New Parts	Parts No.	Description	Destination	Remarks
R3591		*	R92-1934-08	CHIP R 71.5 J 1/10W	KK1Y	
R3592,93			RK73FB2A750J	CHIP R 75 J 1/10W	KK1Y	
R3609			RK73FB2A221J	CHIP R 220 J 1/10W	M	
R3610,11			RK73FB2A103J	CHIP R 10K J 1/10W	M	
R3612			RK73FB2A102J	CHIP R 1.0K J 1/10W	M	
R4231			RK73FB2A222J	CHIP R 2.2K J 1/10W	M	
R4241			RK73GB1J101J	CHIP R 100 J 1/16W	KK1Y	
R4241			RK73GB1J151J	CHIP R 150 J 1/16W	M	
R4255			RK73FB2A332J	CHIP R 3.3K J 1/10W	M	
R4271			RK73FB2A221J	CHIP R 220 J 1/10W	M	
R4272-74			RK73GB1J221J	CHIP R 220 J 1/16W		
R4276			RK73FB2A151J	CHIP R 150 J 1/10W	M	
R4281			RK73GB1J331J	CHIP R 330 J 1/16W		
R4301			RK73FB2A101J	CHIP R 100 J 1/10W		
R4302			RK73FB2A103J	CHIP R 10K J 1/10W		
R4303			RK73FB2A203J	CHIP R 20K J 1/10W		
R4304			RK73FB2A821J	CHIP R 820 J 1/10W	M	
R4306			RK73FB2A682J	CHIP R 6.8K J 1/10W	M	
R4307			RK73FB2A103J	CHIP R 10K J 1/10W	M	
R4308			RK73FB2A104J	CHIP R 100K J 1/10W	M	
R4309,10			RK73FB2A222J	CHIP R 2.2K J 1/10W	M	
R4311			RK73FB2A101J	CHIP R 100 J 1/10W		
R4312			RK73FB2A103J	CHIP R 10K J 1/10W		
R4313			RK73FB2A203J	CHIP R 20K J 1/10W		
R4314			RK73FB2A821J	CHIP R 820 J 1/10W	M	
R4316			RK73FB2A682J	CHIP R 6.8K J 1/10W	M	
R4317			RK73FB2A103J	CHIP R 10K J 1/10W	M	
R4318			RK73FB2A104J	CHIP R 100K J 1/10W	M	
R4461			RK73FB2A752J	CHIP R 7.5K J 1/10W		
R4462			RK73FB2A103J	CHIP R 10K J 1/10W		
R4463			RK73FB2A752J	CHIP R 7.5K J 1/10W		
R4464			RK73FB2A473J	CHIP R 47K J 1/10W		
R4465			RK73FB2A752J	CHIP R 7.5K J 1/10W		
R4466			RK73FB2A103J	CHIP R 10K J 1/10W		
R4467			RK73FB2A752J	CHIP R 7.5K J 1/10W		
R4468			RK73FB2A473J	CHIP R 47K J 1/10W		
R4501			RK73FB2A821J	CHIP R 820 J 1/10W		
R4502			RK73FB2A221J	CHIP R 220 J 1/10W		
R4503			RK73FB2A821J	CHIP R 820 J 1/10W	M	
R4504			RK73FB2A821J	CHIP R 820 J 1/10W		
R4505,06			RK73FB2A103J	CHIP R 10K J 1/10W	M	
R4507			RK73FB2A222J	CHIP R 2.2K J 1/10W	M	
R4511			RK73FB2A821J	CHIP R 820 J 1/10W		
R4512			RK73FB2A221J	CHIP R 220 J 1/10W		
R4513			RK73FB2A821J	CHIP R 820 J 1/10W		
R4514,15			RK73FB2A821J	CHIP R 820 J 1/10W	M	
R4517			RK73FB2A332J	CHIP R 3.3K J 1/10W	M	
R4561			RK73FB2A821J	CHIP R 820 J 1/10W		
R4562			RK73FB2A221J	CHIP R 220 J 1/10W		
R4563			RK73FB2A821J	CHIP R 820 J 1/10W		
R4564,65			RK73FB2A821J	CHIP R 820 J 1/10W	M	
R4571			RK73FB2A821J	CHIP R 820 J 1/10W		
R4572			RK73FB2A221J	CHIP R 220 J 1/10W		
R4573			RK73FB2A821J	CHIP R 820 J 1/10W		
R4574,75			RK73FB2A821J	CHIP R 820 J 1/10W	M	

L : Scandinavia K : USA P : Canada R : Mexico C : China I : Malaysia DV-303 : K ,DV-303(S) : K1  
 Y : P(Far East,Hawaii) T : England E : Europe G : Germany V : China(Shanghai) DVF-5020 : Y ,DVF-K5020 : M  
 Y : AAFES(Europe) X : Australia Q : Russia H : Korea M : Other Areas ⚠ indicates safety critical components.

PARTS LIST

DV-303/DVF-5020/K5020

\* New Parts  
Parts without **Parts No.** are not supplied.  
Les articles non mentionnés dans le **Parts No.** ne sont pas fournis.  
Teile ohne **Parts No.** werden nicht geliefert.

17

Ref. No	Add-ress	New Parts	Parts No.	Description	Desti-nation	Re-marks
R4591			RK73FB2A223J	CHIP R 22K J 1/10W		
R4592			RK73FB2A333J	CHIP R 33K J 1/10W		
R4593			RK73FB2A331J	CHIP R 330 J 1/10W		
R4594			RK73FB2A103J	CHIP R 10K J 1/10W		
R4595			RK73EB2B102J	CHIP R 1.0K J 1/8W		
R4596			RK73FB2A223J	CHIP R 22K J 1/10W		
R4597			RK73FB2A221J	CHIP R 220 J 1/10W		
R4598			RK73FB2A223J	CHIP R 22K J 1/10W		
R4599			RK73FB2A103J	CHIP R 10K J 1/10W		
R4673,74			RK73FB2A102J	CHIP R 1.0K J 1/10W	M	
R4675			RK73FB2A123J	CHIP R 12K J 1/10W	M	
R4676			RK73FB2A224J	CHIP R 220K J 1/10W	M	
R4677			RK73FB2A102J	CHIP R 1.0K J 1/10W	M	
R4678			RK73FB2A223J	CHIP R 22K J 1/10W	M	
R4679			RK73FB2A123J	CHIP R 12K J 1/10W	M	
R4680			RK73FB2A224J	CHIP R 220K J 1/10W	M	
R4681			RK73FB2A223J	CHIP R 22K J 1/10W	M	
R4691,92			RK73FB2A393J	CHIP R 39K J 1/10W	M	
R4693			RK73FB2A334J	CHIP R 330K J 1/10W	M	
R4694-96			RK73FB2A473J	CHIP R 47K J 1/10W	M	
R4761			RK73FB2A100J	CHIP R 10 J 1/10W		
R4761			RK73FB2A220J	CHIP R 22 J 1/10W	M	
R4771			RK73FB2A750J	CHIP R 75 J 1/10W		
R4901			RK73FB2A822J	CHIP R 8.2K J 1/10W		
R4902			RK73FB2A152J	CHIP R 1.5K J 1/10W		
R4903			RK73FB2A333J	CHIP R 33K J 1/10W		
R4911			RK73FB2A822J	CHIP R 8.2K J 1/10W		
R4912			RK73FB2A331J	CHIP R 330 J 1/10W		
R4913			RK73FB2A103J	CHIP R 10K J 1/10W		
R4951			RK73FB2A682J	CHIP R 6.8K J 1/10W	M	
R4952			RK73FB2A333J	CHIP R 33K J 1/10W	M	
R4953			RK73FB2A682J	CHIP R 6.8K J 1/10W	M	
R4954			RK73FB2A223J	CHIP R 22K J 1/10W	M	
R4955			RK73FB2A153J	CHIP R 15K J 1/10W	M	
R4956			RK73FB2A392J	CHIP R 3.9K J 1/10W	M	
R4957			RK73FB2A822J	CHIP R 8.2K J 1/10W	M	
R4958			RK73FB2A103J	CHIP R 10K J 1/10W	M	
R4959			RK73FB2A104J	CHIP R 100K J 1/10W	M	
R4960			RK73FB2A103J	CHIP R 10K J 1/10W	M	
R4961			RK73FB2A472J	CHIP R 4.7K J 1/10W	M	
R4962			RK73FB2A153J	CHIP R 15K J 1/10W	M	
R4963			RK73FB2A272J	CHIP R 2.7K J 1/10W	M	
R4964			RK73FB2A331J	CHIP R 330 J 1/10W	M	
R4965			RK73FB2A473J	CHIP R 47K J 1/10W	M	
R4966			RK73FB2A222J	CHIP R 2.2K J 1/10W	M	
R4967			RK73FB2A333J	CHIP R 33K J 1/10W	M	
R4968			RK73FB2A682J	CHIP R 6.8K J 1/10W	M	
R4969			RK73FB2A224J	CHIP R 220K J 1/10W	M	
R4970			RK73FB2A223J	CHIP R 22K J 1/10W	M	
R4971			RK73FB2A394J	CHIP R 390K J 1/10W	M	
R4972			RK73FB2A683J	CHIP R 68K J 1/10W	M	
R4973			RK73FB2A472J	CHIP R 4.7K J 1/10W	M	
R4974			RK73FB2A393J	CHIP R 39K J 1/10W	M	
R4975			RK73FB2A103J	CHIP R 10K J 1/10W	M	
R4976			RK73FB2A222J	CHIP R 2.2K J 1/10W	M	

L : Scandinavia K : USA P : Canada R : Mexico C : China I : Malaysia DV-303 : K ,DV-303(S) : K1  
Y : PK(Far East,Hawaii) T : England E : Europe G : Germany V : China(Shanghai) DVF-5020 : Y ,DVF-K5020 : M  
Y : AAFES(Europe) X : Australia Q : Russia H : Korea M : Other Areas  $\Delta$  indicates safety critical components .

\* New Parts  
Parts without **Parts No.** are not supplied.  
Les articles non mentionnés dans le **Parts No.** ne sont pas fournis.  
Teile ohne **Parts No.** werden nicht geliefert.

18

Ref. No	Add-ress	New Parts	Parts No.	Description	Desti-nation	Re-marks
R4977		*	RK73FB2A103J	CHIP R 10K J 1/10W	M	
R5201			R92-1935-08	RD 27 J 1/2W		
R5202			RK73GB1J2R2J	CHIP R 2.2 J 1/16W		
R5203			RK73GB1J223J	CHIP R 22K J 1/16W		
R5205,06			RK73GB1J103J	CHIP R 10K J 1/16W		
R5208			RK73GB1J823J	CHIP R 82K J 1/16W		
R5209			RK73GB1J123J	CHIP R 12K J 1/16W		
R5210			RK73GB1J272J	CHIP R 2.7K J 1/16W		
R5211			RK73GB1J393J	CHIP R 39K J 1/16W		
R5212			RK73GB1J123J	CHIP R 12K J 1/16W		
R5213			RK73GB1J393J	CHIP R 39K J 1/16W		
R5214			RK73GB1J223J	CHIP R 22K J 1/16W		
R5215			RK73GB1J822J	CHIP R 8.2K J 1/16W		
R5216			RK73GB1J183J	CHIP R 18K J 1/16W		
R5217			RK73GB1J223J	CHIP R 22K J 1/16W		
R5218			RK73GB1J103J	CHIP R 10K J 1/16W		
R5219			RK73GB1J153J	CHIP R 15K J 1/16W		
R5220,21			RK73GB1J474J	CHIP R 470K J 1/16W		
R5222			RK73GB1J332J	CHIP R 3.3K J 1/16W		
R5223			RK73GB1J752J	CHIP R 7.5K J 1/16W		
R5224			RK73GB1J154J	CHIP R 150K J 1/16W		
R5225			RK73GB1J564J	CHIP R 560K J 1/16W		
R5226			RK73GB1J155J	CHIP R 1.5M J 1/16W		
R6003,04			RK73FB2A473J	CHIP R 47K J 1/10W	KK1Y	
R6005-11			RK73FB2A473J	CHIP R 47K J 1/10W		
R6014			RK73FB2A473J	CHIP R 47K J 1/10W	M	
R6015			RK73FB2A473J	CHIP R 47K J 1/10W		
R6016-18			RK73FB2A221J	CHIP R 220 J 1/10W	M	
R6019			RK73FB2A221J	CHIP R 220 J 1/10W		
R6023			RK73FB2A221J	CHIP R 220 J 1/10W		
R6029-33			RK73FB2A104J	CHIP R 100K J 1/10W		
R6035,36			RK73FB2A221J	CHIP R 220 J 1/10W		
R6037-39			RK73FB2A103J	CHIP R 10K J 1/10W		
R6041-43			RK73FB2A103J	CHIP R 10K J 1/10W		
R6044			RK73FB2A821J	CHIP R 820 J 1/10W		
R6045			RK73FB2A102J	CHIP R 1.0K J 1/10W		
R6046			RK73FB2A122J	CHIP R 1.2K J 1/10W		
R6049			RK73FB2A821J	CHIP R 820 J 1/10W		
R6050			RK73FB2A102J	CHIP R 1.0K J 1/10W		
R6052			RK73FB2A821J	CHIP R 820 J 1/10W		
R6053			RK73FB2A102J	CHIP R 1.0K J 1/10W		
R6054-57			RK73FB2A221J	CHIP R 220 J 1/10W	M	
R6061			RK73FB2A221J	CHIP R 220 J 1/10W	M	
R6064			RK73FB2A473J	CHIP R 47K J 1/10W		
R6065			RK73FB2A331J	CHIP R 330 J 1/10W	KK1Y	
R6201			RK73GB1J103J	CHIP R 10K J 1/16W		
R6202-04			RK73GB1J473J	CHIP R 47K J 1/16W		
R6205			RK73GB1J222J	CHIP R 2.2K J 1/16W		
R6206			RK73GB1J473J	CHIP R 47K J 1/16W		
R6207			RK73GB1J473J	CHIP R 47K J 1/16W	M	
R6208			RK73GB1J473J	CHIP R 47K J 1/16W		
R6209			RK73GB1J103J	CHIP R 10K J 1/16W	M	
R6301			RK73GB1J103J	CHIP R 10K J 1/16W		
R6302,03			RK73GB1J472J	CHIP R 4.7K J 1/16W		
R6501,02			RK73GB1J103J	CHIP R 10K J 1/16W		

L : Scandinavia K : USA P : Canada R : Mexico C : China I : Malaysia DV-303 : K ,DV-303(S) : K1  
Y : PK(Far East,Hawaii) T : England E : Europe G : Germany V : China(Shanghai) DVF-5020 : Y ,DVF-K5020 : M  
Y : AAFES(Europe) X : Australia Q : Russia H : Korea M : Other Areas  $\Delta$  indicates safety critical components .

\* New Parts  
Parts without **Parts No.** are not supplied.  
Les articles non mentionnés dans le **Parts No.** ne sont pas fournis.  
Teile ohne **Parts No.** werden nicht geliefert.

19

Ref. No	Add-ress	New Parts	Parts No.	Description	Desti-nation	Re-marks
R6542			RK73GB1J105J	CHIP R 1.0M J 1/16W		
R6544			RK73GB1J101J	CHIP R 100 J 1/16W		
R7001,02			RK73GB1J102J	CHIP R 1.0K J 1/16W		
R7003			RK73GB1J473J	CHIP R 47K J 1/16W		
R7006			RK73GB1J473J	CHIP R 47K J 1/16W		
RA2001		*	R90-0996-08	RADDER RESISTOR,EXBV4V473J	KK1Y	
RA2002		*	R90-0994-08	RADDER RESISTOR,EXBV8V331J	KK1Y	
RA2501,02		*	R90-0997-08	RADDER RESISTOR,EXBV4V103J		
RA3001		*	R90-0995-08	RADDER RESISTOR,EXBV8V473J		
RA3002		*	R90-0996-08	RADDER RESISTOR,EXBV4V473J		
RA6201		*	R90-0997-08	RADDER RESISTOR,EXBV4V103J		
RA6202		*	R90-0996-08	RADDER RESISTOR,EXBV4V473J	KK1Y	
RA6203-06		*	R90-0996-08	RADDER RESISTOR,EXBV4V473J		
RA7001,02		*	R90-0995-08	RADDER RESISTOR,EXBV8V473J		
S3581		*	S90-0134-08	SWITCH ESD177211	KK1Y	
S4501		*	S90-0134-08	SWITCH ESD177211	M	
S6001-03		*	S70-0080-08	SWITCH EVQ11A07R		
S6005-07		*	S70-0081-08	SWITCH EVQ11U07M		
S6401		*	S70-0082-08	SWITCH EVQQS307K	KK1Y	
S6411		*	S70-0084-08	SWITCH EVQ11G07K	M	
T1021		*	L07-2830-08	POWER TRNSFORMER,ETE28K119AZ	KK1	
T1021		*	L07-2856-08	POWER TRNSFORMER,ETS29AD4H6AC	MY	
T4761		*	L13-0019-08	INPUT TRNSFORMER,VLQ0790		
VR3041		*	R39-0024-08	POTENTIOMETER VRV0293B102T	KK1Y	
VR3501		*	R32-0091-08	TRIMMER POT EVNCYAA03B13		
VR3511		*	R32-0091-08	TRIMMER POT EVNCYAA03B13		
VR4691-93		*	R39-0026-08	POTENTIOMETER EVUE2KF3B53	M	
W077		*	AK04WS	DIODE AK04WS	M	
W201-205			RK73FB2A000J	CHIP R 0.0 J 1/10W	M	
W801-838			RK73FB2A000J	CHIP R 0.0 J 1/10W	M	
W841-847			RK73FB2A000J	CHIP R 0.0 J 1/10W	M	
W850-861			RK73FB2A000J	CHIP R 0.0 J 1/10W	M	
W863-866			RK73FB2A000J	CHIP R 0.0 J 1/10W	M	
W3001			RK73GB1J000J	CHIP R 0.0 J 1/16W	KK1Y	
W6501			RK73FB2A000J	CHIP R 0.0 J 1/10W	KK1Y	
X6001		*	L78-0710-08	CERAMIC OSCILLATOR,EF0EC8004A4		
X6501		*	L77-2280-08	CRYSTAL OSCILLATOR,VXS1044		

**MECHANISM PARTS**

41	1B	*	A11-1171-08	INTERMEDIATE CHASSIS,VMD3270		
42	1A	*	J99-0819-08	TRAY VMD3265		
43	2A	*	D13-1978-08	PULLEY GEAR VDG1308		
44	2A	*	D13-1979-08	DECELERATION GEAR,VDG1309		
45	2A	*	D13-1980-08	DRIVE GEAR VDG1310		
46	2B	*	A11-1172-08	VERTCAL CAM VDK0156		
47	2A	*	D16-0745-08	BELT VDV0373		
49	3B	*	A10-3504-08	LOADING BASE VMD3266		
50	1A	*	A11-1173-08	CLAMPER BASE VMD3263		
51	1A	*	T99-0637-08	MAGNET JSM0048		
52	1A	*	T50-1086-08	CLAMPER BACK YOKE,VMA9535		
53	1A	*	J11-0857-08	CLAMPER VMD3264		
54	1A	*	N19-1507-08	CLAMPER WEIGHT VMA0B93		
55	3A	*	T42-0964-08	LOADING MOTOR UNIT,VEM0664		
56	3B	*	S64-0047-08	DOUBLE SWITCH VSH0170		
61	2C	*	E35-2510-08	SPINDLE FFC(17P),VWJ1277		

L : Scandinavia K : USA P : Canada R : Mexico C : China I : Malaysia DV-303 : K ,DV-303(S) : K1  
Y : PX(Far East,Hawaii) T : England E : Europe G : Germany V : China(Shanghai) DVF-5020 : Y ,DVF-K5020 :M  
Y : AAFES(Europe) X : Australia Q : Russia H : Korea M : Other Areas Δ indicates safety critical components.

\* New Parts  
Parts without **Parts No.** are not supplied.  
Les articles non mentionnés dans le **Parts No.** ne sont pas fournis.  
Teile ohne **Parts No.** werden nicht geliefert.

20

Ref. No	Add-ress	New Parts	Parts No.	Description	Desti-nation	Re-marks
62	1C	*	T42-0965-08	SPINDLE MOTOR UNIT,VVM0665		
63	2D	*	T42-0966-08	STEPPING MOTOR UNIT,VEM0666		
64	2D	*	G01-4184-08	TILT SPRING VMB3278		
65	3D	*	G02-1696-08	SUB-SHAFT TILT SPRING,VMC1487		
66	2D	*	G02-1697-08	SPRING HOLDER 1,VMC1488		
67	2D	*	G02-1698-08	SPRING HOLDER 2,VMC1489		
68	3D	*	J19-6059-08	FPC HOLDER VMD3261		
69	2C,3C	*	J02-1469-08	FLOATING RUBBER,VMG1166		
70	3C	*	A11-1174-08	TRAVERSE CHASSIS,VMK0474		
71	1C	*	J90-0872-08	GUIDE SHAFT 1 VMS6471		
72	1D	*	J90-0873-08	GUIDE SHAFT 2 VMS6472		
73	1D	*	J91-0504-08	OPTCAL PICK-UP VED0402-1	KK1Y	
73	1D	*	J91-0505-08	OPTCAL PICK-UP VED0402	M	
74	1D	*	G02-1699-08	SUB-SHAFT PRELOAD SP,VMC1491		
75	1D	*	G02-1700-08	NUT VMC1490		
76	1D	*	J21-6791-08	NUT VMD3260		
B41	1B	*	N09-5159-08	SCREW VHD1223		
B42	2A	*	N09-3456-08	SCREW XQNC17+3		
B43	3A	*	N09-5158-08	SCREW XTV3+10G		
B44	2A	*	N09-5160-08	SCREW XTW2+12T		
B45	1A	*	N09-5158-08	SCREW XTV3+10G		
B46	1A	*	N09-5161-08	SCREW XTS3+6G		
B61	1A,2D	*	N09-5162-08	SCREW VHD1224		
B62	3C	*	N09-5163-08	SCREW VHD1295		
B63	1D	*	N09-3462-08	SCREW VHD1057		
B64	1D	*	N09-3456-08	SCREW XQNC17+3		
B65	3D	*	N09-5164-08	SCREW XXE26C6FN		
B66	3C	*	N09-5165-08	SCREW XSN26+4	KK1Y	

L : Scandinavia K : USA P : Canada R : Mexico C : China I : Malaysia DV-303 : K ,DV-303(S) : K1  
Y : PX(Far East,Hawaii) T : England E : Europe G : Germany V : China(Shanghai) DVF-5020 : Y ,DVF-K5020 :M  
Y : AAFES(Europe) X : Australia Q : Russia H : Korea M : Other Areas Δ indicates safety critical components.

PARTS LIST

DV-303/DVF-5020/K5020

# DV-303/DVF-5020/K5020

## SPECIFICATIONS

**Power requirements:** AC 110–240 V, 50/60 Hz  
**Power consumption:** 17 W

**Signal system:** NTSC/PAL  
**Weight:** 3.2 kg  
**Dimensions:** 430 (W)×268 (D)×99 (H) mm  
(excluding protrusions)

**Operating temperature range:** +5 to +35°C  
**Operating humidity range:** 5 to 90% (no condensation)

### Discs played:

#### (1) DVD-VIDEO disc

12 cm single-sided, single-layer  
12 cm single-sided, dual-layer  
12 cm double-sided, single-layer  
8 cm single-sided, single-layer  
8 cm single-sided, dual-layer  
8 cm double-sided, single-layer

#### (2) Compact disc (CD-DA, VIDEO CD)

12 cm disc  
8 cm disc

### S video output:

Y output level: 1 Vp-p (75Ω)  
C output level: 0.286 Vp-p (75Ω)  
Output connector: S terminal  
Number of connectors: 1 system

### Video output:

Output level: 1 Vp-p (75Ω)  
Output connector: Pin jack  
Number of connectors: 2 systems

### Audio output:

Output level: 2 Vrms (1 kHz, 0 dB)  
Output connector: Pin jack  
Number of connectors: 2 systems

### Audio signal output characteristics:

- (1) Frequency response:
  - DVD (linear audio): 2 Hz–22 kHz (48 kHz sampling)  
2 Hz–44 kHz (96 kHz sampling)
  - CD audio: 2 Hz–20 kHz (EIAJ)
- (2) S/N ratio:
  - CD audio: 115 dB (EIAJ)
- (3) Dynamic range:
  - DVD (linear audio): 103 dB
  - CD audio: 98 dB (EIAJ)
- (4) Total harmonic distortion:
  - CD audio: 0.0025% (EIAJ)

### Digital audio output:

Optical digital output: Optical connector  
Coaxial digital output: Pin jack

### Microphone input:

Output connector: Stereo, 6.3 mm jack  
Number of connectors: 2 systems

**Pickup:** Wave length: 665 nm  
Laser power: CLASS 2

Specifications are subject to change without notice.  
Weight and dimensions are approximate.

### Note:

Component and circuit are subject to modification to insure best operation under differing local conditions. This manual is based on Europe (E) standard, and provides information on regional circuit modification through use of alternate schematic diagrams, and information on regional component variations through use of parts list.

## KENWOOD CORPORATION

14-6, Dogenzaka 1-chome, Shibuya-ku, Tokyo, 150-8501 Japan

### KENWOOD SERVICE CORPORATION

P.O. BOX 22745, 2201 East Dominguez St., Long Beach, CA 90801-5745, U.S.A.

### KENWOOD ELECTRONICS CANADA INC.

6070 Kestrel Road, Mississauga, Ontario, Canada L5T 1S8

### KENWOOD ELECTRONICS LATIN AMERICA S.A.

P.O. BOX 55-2791, Piso 6 plaza Chase, Cl. 47 y Aquilino de la Guardia Panama, Republic de Panama

### KENWOOD ELECTRONICS BRASIL LTDA.

Av. Moema, 170-17", Andar-Cobertura "B", Ed. Maximum Service Center, 04077-020 Moema, São Paulo-SP-Brasil

### KENWOOD ELECTRONICS U.K. LIMITED

KENWOOD House, Dwight Road, Watford, Herts., WD1 8EB., United Kingdom

### KENWOOD ELECTRONICS BELGIUM N.V.

Meachelsesteenweg 418, B-1930 Zaventem, Belgium

### KENWOOD ELECTRONICS DEUTSCHLAND GMBH

Rembrücker Str. 15, 63150 Heusenstamm, Germany

### KENWOOD ELECTRONICS FRANCE S.A.

13 Boulevard Ney, 75018 Paris, France

### KENWOOD ELECTRONICS ITALIA S.p.A.

Via G. Sirtori, 7/9 20129, Milano, Italy

### KENWOOD IBÉRICA S.A.

Bolivia, 239-08020 Barcelona, Spain

### KENWOOD ELECTRONICS AUSTRALIA PTY. LTD.

(A.C.N. 001 499 074)  
16 Giffnock Avenue, North Ryde, N.S.W. 2113, Australia

### KENWOOD ELECTRONICS (HONG KONG) LTD.

Unit 3712-3724, Level 37, Tower 1, Metroplaza, 223 Hing Fong Road, Kwai Fong N.T., Hong Kong

### KENWOOD ELECTRONICS GULF FZE

P.O. Box 61318, Jebel Ali, Dubai, U.A.E.

### KENWOOD ELECTRONICS SINGAPORE PTE LTD.

No. 1 Genting Lane #02-02, KENWOOD Building, Singapore, 349544

### KENWOOD ELECTRONICS (MALAYSIA) SDN BHD.

#4.01 Level 4, Wisma Academy Lot 4A, Jalan 19/1 46300 Petaling Jaya Selangor Darul Ehsan Malaysia

### KENWOOD ELECTRONICS (THAILAND) CO., LTD.

2019 New Pechburi Road, Bangkapi, Huaykwang, Bangkok, 10320 Thailand